

# GENERAL CATALOGUE



EQUIPMENT  
VETERINARY  
ZOOTECHNICS

**iaber**  
INNOVATION





 <b>01. IDENTIFICATION</b>	<b>P. 5</b>
 <b>02. VETERINARY EQUIPMENT</b>	<b>P. 16</b>
 <b>03. LIVESTOCK EQUIPMENT</b>	<b>P. 48</b>
 <b>04. MILKING AND FEEDING</b>	<b>P. 64</b>
 <b>05. WEIGHTING AND MEASURING</b>	<b>P. 80</b>
 <b>06. ARTIFICIAL INSEMINATION</b>	<b>P. 84</b>
 <b>07. DRINKING SYSTEM</b>	<b>P. 92</b>
 <b>08. FENCING EQUIPMENT</b>	<b>P. 98</b>





01



# IDENTIFICATION





EAR TAG PLIERS "IABTAG"  
STANDARD - RED

**01.01.1018**



EAR TAG PLIERS "IABER" -  
HORIZONTAL

**01.01.1020**



SPARE NEEDLE SCREW FOR EAR  
TAG PLIERS

**01.01.0002**



NEEDLE FOR EAR TAG PLIERS  
"IABTAG" RED - UNIVERSAL

**01.01.0003**



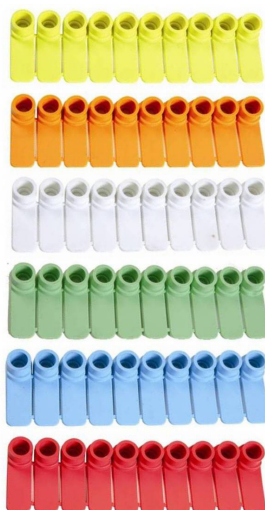
NEEDLE FOR HORIZONTAL EAR  
TAG PLIERS - BLACK

**01.01.1003**



EAR NOTCHER HORIZONTAL -  
ROUND HOLE Ø 7 MM SUPERIOR  
QUALITY

**01.04.0144**



EAR TAG "TIP TOP" FOR SHEEP AND  
GOATS WITHOUT NUMBERS  
(50 PAIRS)

<b>01.01.0080</b>	<b>YELLOW</b>
<b>01.01.0081</b>	<b>ORANGE</b>
<b>01.01.0082</b>	<b>WHITE</b>
<b>01.01.0083</b>	<b>GREEN</b>
<b>01.01.0084</b>	<b>BLUE</b>
<b>01.01.0085</b>	<b>RED</b>



PERMANENT EAR TAG PEN "ZOOFLEX  
MARKER" ROUND TIP - BLACK

**01.01.1108**



EAR TAG PEN "IABER MARKER"  
ROUND TIP - BLACK

**01.01.1006**



EAR NOTCHER HORIZONTAL -  
ROUND HOLE Ø 9 MM (7/20")  
SUPERIOR QUALITY

**01.04.0143**



EAR TAG PEN FINE TIP - BLACK

**01.01.1008**



COMPACT ELECTRONIC RFID READER  
"V8 BT"

**01.01.4013**



ELECTRONIC RFID READER "PETSCAN  
250 BT"

**01.01.4015**



PLASTIC COLLAR NUMBER YELLOW  
10

01.01.2310	0
01.01.2311	1
01.01.2312	2
01.01.2313	3
01.01.2314	4
01.01.2315	5
01.01.2316	6
01.01.2317	7
01.01.2318	8
01.01.2319	9



PLASTIC COLLAR NUMBER "DUO"  
REPLACEABLE - 6

01.01.2450	0	BLACK
01.01.2451	1	YELLOW
01.01.2452	2	ORANGE
01.01.2453	3	RED
01.01.2454	4	VIOLET
01.01.2455	5	BLUE
01.01.2456	6	GREEN
01.01.2457	7	GREY
01.01.2458	8	BROWN
01.01.2459	9	WHITE



RUBBER LEGBAND NUMBER - 10

01.01.2550	0	BLACK
01.01.2551	1	YELLOW
01.01.2552	2	ORANGE
01.01.2553	3	RED
01.01.2554	4	VIOLET
01.01.2555	5	BLUE
01.01.2556	6	GREEN
01.01.2557	7	GREY
01.01.2558	8	BROWN
01.01.2559	9	WHITE



NYLON COLLAR FOR NUMBERS WITH  
PLASTIC BUCKLE 130 CM  
GREEN WHITE

**01.01.2330**



SPARE PINS FOR PLASTIC COLLAR  
NUMBER "DUO" - 12

**01.01.2463**

METAL TOOL TO INSTALL PLASTIC  
COLLAR NUMBER "DUO"

**01.01.2464**



BLUE NYLON LEGBAND FOR RUBBER  
NUMBERS

**01.01.2560**



METAL TATTOO PLIERS -STANDARD  
MODEL 4 DIGITS 10 MM (3/8") + 4  
SET OF NUMBERS

**01.02.0011**

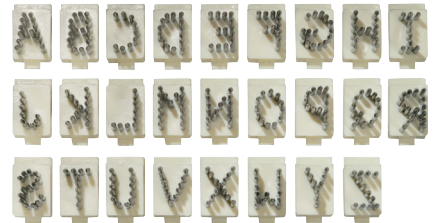


SET OF NUMBERS (0-9) FOR TATTOO  
PLIERS 10 MM (3/8") 4 STANDARD  
DIGITS

**01.02.0160**

NUMBER FOR TATTOO PLIERS 10 MM  
(3/8") 4 STANDARD DIGITS

<b>01.02.0402</b>	<b>0</b>
<b>01.02.0403</b>	<b>1</b>
<b>01.02.0404</b>	<b>2</b>
<b>01.02.0405</b>	<b>3</b>
<b>01.02.0406</b>	<b>4</b>
<b>01.02.0407</b>	<b>5</b>
<b>01.02.0408</b>	<b>6</b>
<b>01.02.0409</b>	<b>7</b>
<b>01.02.0410</b>	<b>8</b>
<b>01.02.0411</b>	<b>9</b>



SET OF LETTERS (26 LETTERS A-Z)  
FOR TATTOO PLIERS 10 MM (3/8") 4  
STANDARD DIGITS

**01.02.0480**

LETTER FOR TATTOO PLIERS 10 MM  
(3/8") 4 STANDARD DIGITS

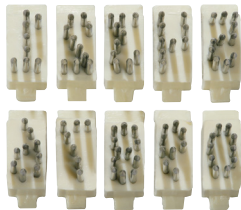
<b>01.02.0450</b>	<b>A</b>
<b>01.02.0451</b>	<b>B</b>
<b>01.02.0452</b>	<b>C</b>
<b>01.02.0453</b>	<b>D</b>
<b>01.02.0454</b>	<b>E</b>
<b>01.02.0455</b>	<b>F</b>
<b>01.02.0456</b>	<b>G</b>
<b>01.02.0457</b>	<b>H</b>
<b>01.02.0458</b>	<b>I</b>
<b>01.02.0459</b>	<b>J</b>
<b>01.02.0460</b>	<b>K</b>
<b>01.02.0461</b>	<b>L</b>
<b>01.02.0462</b>	<b>M</b>
<b>01.02.0463</b>	<b>N</b>
<b>01.02.0464</b>	<b>O</b>
<b>01.02.0465</b>	<b>P</b>
<b>01.02.0466</b>	<b>Q</b>
<b>01.02.0467</b>	<b>R</b>
<b>01.02.0468</b>	<b>S</b>
<b>01.02.0469</b>	<b>T</b>
<b>01.02.0470</b>	<b>U</b>
<b>01.02.0471</b>	<b>V</b>
<b>01.02.0472</b>	<b>W</b>
<b>01.02.0473</b>	<b>X</b>
<b>01.02.0474</b>	<b>Y</b>
<b>01.02.0475</b>	<b>Z</b>





METAL TATTOO PLIERS -STANDARD  
MODEL 5 DIGITS 8 MM (5/16") + 5  
SET OF NUMBERS

**01.02.0015**



SET OF NUMBERS (0-9) FOR TATTOO  
PLIERS 8 MM (5/16")  
5 STANDARD DIGITS

**01.02.0610**

NUMBER FOR TATTOO PLIERS 8 MM  
(5/16") 5 STANDARD DIGITS

<b>01.02.0600</b>	<b>0</b>
<b>01.02.0601</b>	<b>1</b>
<b>01.02.0602</b>	<b>2</b>
<b>01.02.0603</b>	<b>3</b>
<b>01.02.0604</b>	<b>4</b>
<b>01.02.0605</b>	<b>5</b>
<b>01.02.0606</b>	<b>6</b>
<b>01.02.0607</b>	<b>7</b>
<b>01.02.0608</b>	<b>8</b>
<b>01.02.0609</b>	<b>9</b>



SET OF LETTERS (26 LETTERS A-Z)  
FOR TATTOO PLIERS 8 MM (5/16") 5  
STANDARD DIGITS

**01.02.0680**

LETTER FOR TATTOO PLIERS 8 MM  
(5/16") 5 STANDARD DIGITS

<b>01.02.0650</b>	<b>A</b>
<b>01.02.0651</b>	<b>B</b>
<b>01.02.0652</b>	<b>C</b>
<b>01.02.0653</b>	<b>D</b>
<b>01.02.0654</b>	<b>E</b>
<b>01.02.0655</b>	<b>F</b>
<b>01.02.0656</b>	<b>G</b>
<b>01.02.0657</b>	<b>H</b>
<b>01.02.0658</b>	<b>I</b>
<b>01.02.0659</b>	<b>J</b>
<b>01.02.0660</b>	<b>K</b>
<b>01.02.0661</b>	<b>L</b>
<b>01.02.0662</b>	<b>M</b>
<b>01.02.0663</b>	<b>N</b>
<b>01.02.0664</b>	<b>O</b>
<b>01.02.0665</b>	<b>P</b>
<b>01.02.0666</b>	<b>Q</b>
<b>01.02.0667</b>	<b>R</b>
<b>01.02.0668</b>	<b>S</b>
<b>01.02.0669</b>	<b>T</b>
<b>01.02.0670</b>	<b>U</b>
<b>01.02.0671</b>	<b>V</b>
<b>01.02.0672</b>	<b>W</b>
<b>01.02.0673</b>	<b>X</b>
<b>01.02.0674</b>	<b>Y</b>
<b>01.02.0675</b>	<b>Z</b>

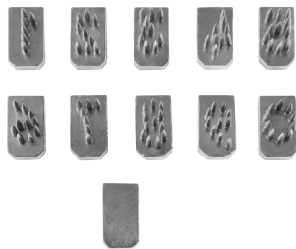


METAL TATTOO PLIERS TWO ROWS  
10 DIGITS 8 MM (5/16") - WITHOUT  
NUMBERS

**01.02.0041**

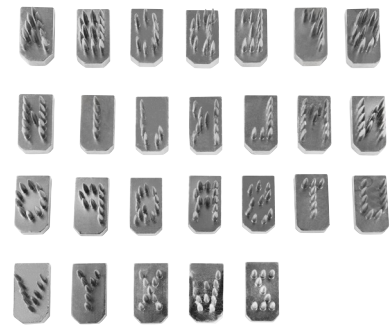
RUBBER STOP SPARE PART FOR  
TWO ROWS PLIERS 10 DIGITS 8MM  
(5/16")

**01.02.0045**



NUMBER METAL BASE FOR TATTOO  
PLIERS 8 MM (5/16") TWO ROWS  
10 DIGITS

<b>01.02.0700</b>	<b>0</b>
<b>01.02.0701</b>	<b>1</b>
<b>01.02.0702</b>	<b>2</b>
<b>01.02.0703</b>	<b>3</b>
<b>01.02.0704</b>	<b>4</b>
<b>01.02.0705</b>	<b>5</b>
<b>01.02.0706</b>	<b>6</b>
<b>01.02.0707</b>	<b>7</b>
<b>01.02.0708</b>	<b>8</b>
<b>01.02.0709</b>	<b>9</b>
<b>01.02.0715</b>	<b>EMPTY CHARACTER</b>



METAL BASE LETTER FOR TATTOO  
PLIERS 8 MM (5/16") TWO ROWS  
10 DIGITS

<b>01.02.0750</b>	<b>A</b>
<b>01.02.0751</b>	<b>B</b>
<b>01.02.0752</b>	<b>C</b>
<b>01.02.0753</b>	<b>D</b>
<b>01.02.0754</b>	<b>E</b>
<b>01.02.0755</b>	<b>F</b>
<b>01.02.0756</b>	<b>G</b>
<b>01.02.0757</b>	<b>H</b>
<b>01.02.0758</b>	<b>I</b>
<b>01.02.0759</b>	<b>J</b>
<b>01.02.0760</b>	<b>K</b>
<b>01.02.0761</b>	<b>L</b>
<b>01.02.0762</b>	<b>M</b>
<b>01.02.0763</b>	<b>N</b>
<b>01.02.0764</b>	<b>O</b>
<b>01.02.0765</b>	<b>P</b>
<b>01.02.0766</b>	<b>Q</b>
<b>01.02.0767</b>	<b>R</b>
<b>01.02.0768</b>	<b>S</b>
<b>01.02.0769</b>	<b>T</b>
<b>01.02.0770</b>	<b>U</b>
<b>01.02.0771</b>	<b>V</b>
<b>01.02.0772</b>	<b>W</b>
<b>01.02.0773</b>	<b>X</b>
<b>01.02.0774</b>	<b>Y</b>
<b>01.02.0775</b>	<b>Z</b>



METAL TATTOO PLIERS "KETCHUM 101" 7 DIGITS 6 MM (15/64") - WITHOUT NUMBERS

**01.02.0046**

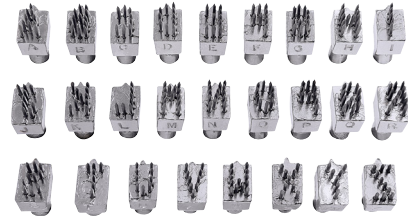


SET OF NUMBERS (0-9) METAL BASE FOR TATTOO PLIERS "KETCHUM 101" 6 MM (15/64") 7 DIGITS

**01.02.0910**

METAL BASE NUMBER FOR TATTOO PLIERS "KETCHUM 101" 6 MM (15/64") 7 DIGITS

<b>01.02.0900</b>	<b>0</b>
<b>01.02.0901</b>	<b>1</b>
<b>01.02.0902</b>	<b>2</b>
<b>01.02.0903</b>	<b>3</b>
<b>01.02.0904</b>	<b>4</b>
<b>01.02.0905</b>	<b>5</b>
<b>01.02.0906</b>	<b>6</b>
<b>01.02.0907</b>	<b>7</b>
<b>01.02.0908</b>	<b>8</b>
<b>01.02.0909</b>	<b>9</b>



SET OF LETTERS (26 LETTERS A-Z) METAL BASE FOR TATTOO PLIERS "KETCHUM 101" 6 MM (15/64") 7 DIGITS

**01.02.0980**

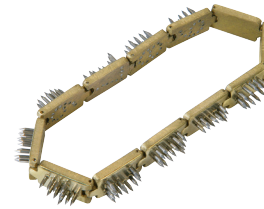
METAL BASE LETTER FOR TATTOO PLIERS "KETCHUM 101" 6 MM (15/64") 7 DIGITS

<b>01.02.0950</b>	<b>A</b>
<b>01.02.0951</b>	<b>B</b>
<b>01.02.0952</b>	<b>C</b>
<b>01.02.0953</b>	<b>D</b>
<b>01.02.0954</b>	<b>E</b>
<b>01.02.0955</b>	<b>F</b>
<b>01.02.0956</b>	<b>G</b>
<b>01.02.0957</b>	<b>H</b>
<b>01.02.0958</b>	<b>I</b>
<b>01.02.0959</b>	<b>J</b>
<b>01.02.0960</b>	<b>K</b>
<b>01.02.0961</b>	<b>L</b>
<b>01.02.0962</b>	<b>M</b>
<b>01.02.0963</b>	<b>N</b>
<b>01.02.0964</b>	<b>O</b>
<b>01.02.0965</b>	<b>P</b>
<b>01.02.0966</b>	<b>Q</b>
<b>01.02.0967</b>	<b>R</b>
<b>01.02.0968</b>	<b>S</b>
<b>01.02.0969</b>	<b>T</b>
<b>01.02.0970</b>	<b>U</b>
<b>01.02.0971</b>	<b>V</b>
<b>01.02.0972</b>	<b>W</b>
<b>01.02.0973</b>	<b>X</b>
<b>01.02.0974</b>	<b>Y</b>
<b>01.02.0975</b>	<b>Z</b>



ROTARY TATTOO PLIERS  
10 MM (3/8")

<b>01.02.0034</b>	<b>4 DIGITS</b>
<b>01.02.0035</b>	<b>5 DIGITS</b>



SPARE NUMBER KIT FOR ROTARY  
TATTOO PLIERS 4 AND 5 DIGITS

**01.02.0039**



RAIDEX TATTOOING PASTE  
TUBE 60 G

<b>01.02.0511</b>	<b>BLACK</b>
<b>01.02.0521</b>	<b>GREEN</b>



RAIDEX TATTOOING PASTE BOX  
600 G

<b>01.02.0512</b>	<b>BLACK</b>
<b>01.02.0522</b>	<b>GREEN</b>



RAIDEX ROLL-ON TATTOOING INK  
80 ML

<b>01.02.0526</b>	<b>BLACK</b>
<b>01.02.0527</b>	<b>GREEN</b>



PECKER TATTOOING SPRAY  
300 ML BLACK

**01.02.0514**



KETCHUM TATTOOING PASTE TUBE  
140 G GREEN

**01.02.0540**



KETCHUM TATTOOING PASTE BOX  
643 G GREEN

**01.02.0542**



MARKING STICK "RAIDEX" 57 G

<b>01.03.0001</b>	<b>RED</b>
<b>01.03.0002</b>	<b>GREEN</b>
<b>01.03.0003</b>	<b>BLUE</b>
<b>01.03.0004</b>	<b>VIOLET</b>
<b>01.03.0005</b>	<b>BLACK</b>
<b>01.03.0006</b>	<b>ORANGE</b>
<b>01.03.0007</b>	<b>YELLOW</b>
<b>01.03.0008</b>	<b>WHITE</b>



MARKING STICK "ZOOMARC PLUS" 68 G

<b>01.03.0031</b>	<b>RED</b>
<b>01.03.0032</b>	<b>GREEN</b>
<b>01.03.0033</b>	<b>BLUE</b>
<b>01.03.0034</b>	<b>VIOLET</b>
<b>01.03.0035</b>	<b>BLACK</b>
<b>01.03.0036</b>	<b>ORANGE</b>
<b>01.03.0037</b>	<b>YELLOW</b>



MARKING SPRAY "RAIDEX" 400 ML

<b>01.03.0321</b>	<b>RED</b>
<b>01.03.0322</b>	<b>BLUE</b>
<b>01.03.0323</b>	<b>GREEN</b>
<b>01.03.0324</b>	<b>VIOLET</b>
<b>01.03.0325</b>	<b>BLACK</b>
<b>01.03.0326</b>	<b>ORANGE</b>
<b>01.03.0327</b>	<b>YELLOW</b>



MARKING SPRAY "RAIDEX" 500 ML

<b>01.03.0341</b>	<b>RED</b>
<b>01.03.0342</b>	<b>BLUE</b>
<b>01.03.0343</b>	<b>GREEN</b>
<b>01.03.0344</b>	<b>PURPLE</b>
<b>01.03.0346</b>	<b>ORANGE</b>



MARKING SPRAY FOR SHEEP "RAIDEX" 500 ML

<b>01.03.0351</b>	<b>RED</b>
<b>01.03.0352</b>	<b>BLUE</b>
<b>01.03.0353</b>	<b>GREEN</b>
<b>01.03.0355</b>	<b>BLACK</b>
<b>01.03.0356</b>	<b>ORANGE</b>
<b>01.03.0357</b>	<b>YELLOW</b>



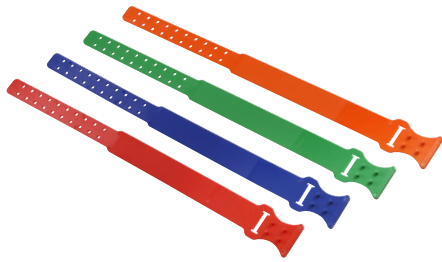
MEAT MARKING PENCIL "RAIDEX" BLUE

**01.03.2113**



MARKING CRAYON IN CARTON STICK FOR HEAT DETECTION 57 G (10)

<b>06.01.0511</b>	<b>RED</b>
<b>06.01.0512</b>	<b>GREEN</b>
<b>06.01.0513</b>	<b>BLUE</b>
<b>06.01.0516</b>	<b>ORANGE</b>



PLASTIC COLLAR FOR SHEEP  
55 CM

<b>01.04.0022</b>	<b>RED</b>
<b>01.04.0023</b>	<b>BLUE</b>
<b>01.04.0024</b>	<b>GREEN</b>
<b>01.04.0026</b>	<b>ORANGE</b>



COLLAR FOR SHEEP WITH  
REINFORCED LEATHER 25 MM  
65 CM

<b>01.04.0028</b>	<b>BLUE</b>
<b>01.04.0029</b>	<b>GREEN</b>
<b>01.04.0030</b>	<b>YELLOW</b>



FETLOCK STRAP - IABER

<b>01.04.0045</b>	<b>PINK</b>
<b>01.04.0046</b>	<b>YELLOW</b>
<b>01.04.0047</b>	<b>RED</b>
<b>01.04.0048</b>	<b>BLUE</b>
<b>01.04.0049</b>	<b>GREEN</b>
<b>01.04.0050</b>	<b>ORANGE</b>



VELCRO CATTLE LEGBAND  
37 X 5 CM - IABER (5)

<b>01.04.0071</b>	<b>YELLOW</b>
<b>01.04.0072</b>	<b>RED</b>
<b>01.04.0073</b>	<b>BLUE</b>
<b>01.04.0074</b>	<b>GREEN</b>
<b>01.04.0075</b>	<b>ORANGE</b>
<b>01.04.0076</b>	<b>PINK</b>





EAR NOTCHER 15 CM (6") - V SHAPE

**01.04.0101**



EAR NOTCHER 15 CM (6") - U SHAPE

**01.04.0102**



EAR NOTCHER 15 CM (6") - M SHAPE

**01.04.0105**



EAR NOTCHER 15 CM (6") - RECTANGULAR SHAPE

**01.04.0103**



EAR NOTCHER 18 CM (7") - V SHAPE

**01.04.0111**



EAR NOTCHER 18 CM (7") - U SHAPE

**01.04.0110**



EAR NOTCHER 15 CM (6") - ROUND HOLE 7 MM (17/64")

**01.04.0107**



EAR NOTCHER 23 CM (9") - ROUND HOLE 14 MM (9/16")

**01.04.0116**



SPARE SPRING FOR EAR NOTCHER

<b>01.04.0109</b>	<b>15 CM (6")</b>
<b>01.04.0151</b>	<b>18 CM (7")</b>
<b>01.04.0153</b>	<b>23 CM (9")</b>



EAR NOTCHER HORIZONTAL - ROUND HOLE Ø 9 MM (7/20") SUPERIOR QUALITY

**01.04.0143**



EAR NOTCHER HORIZONTAL - ROUND HOLE Ø 7 MM SUPERIOR QUALITY

**01.04.0144**





02



# VETERINARY EQUIPMENT





SYRINGE "SMART"  
VETERINARY USE

<b>02.01.2301</b>	<b>5 ML</b>	<b>TRASPARENT</b>
<b>02.01.2302</b>	<b>10 ML</b>	<b>BLACK</b>
<b>02.01.2303</b>	<b>20 ML</b>	<b>GREEN</b>
<b>02.01.2304</b>	<b>30 ML</b>	<b>BLUE</b>
<b>02.01.2305</b>	<b>50 ML</b>	<b>TRANSPARENT</b>
<b>02.01.2306</b>	<b>100 ML</b>	<b>BLUE</b>



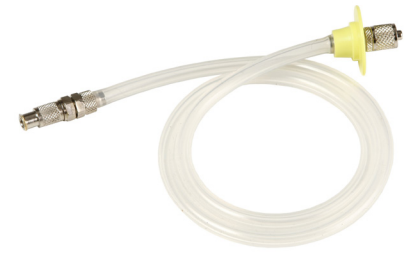
SPARE O-RING FOR  
SMART SYRINGE

<b>02.01.2551</b>	<b>5 ML</b>
<b>02.01.2552</b>	<b>10 ML</b>
<b>02.01.2553</b>	<b>20 ML</b>
<b>02.01.2554</b>	<b>30 ML</b>
<b>02.01.2555</b>	<b>50 ML</b>
<b>02.01.2556</b>	<b>100 ML</b>



DISPOSABLE PLASTIC FLEXIBLE  
EXTENSION TUBE "WARD" FOR  
SYRINGE - LUER LOCK

**02.01.2613**



FLEXIBLE EXTENSION TUBE FOR  
SYRINGE - LUER LOCK

**02.01.2512**



DRENCHING CANNULA 120 X 6 MM  
WITH THREAD CONNECTION

**02.01.3050**



DRENCHING CANNULA 120 X 6 MM  
LUER LOCK

**02.01.3158**



INTRA-RUMINAL NEEDLE LUER LOCK

**02.01.3256**



DOUBLE PLASTIC NEEDLE FOR  
TRANSFER - STERILE

**02.04.5509**



DOUBLE PLASTIC NEEDLE FOR  
TRANSFER - NON STERILE

**02.04.5510**



## REVOLVERMATIK



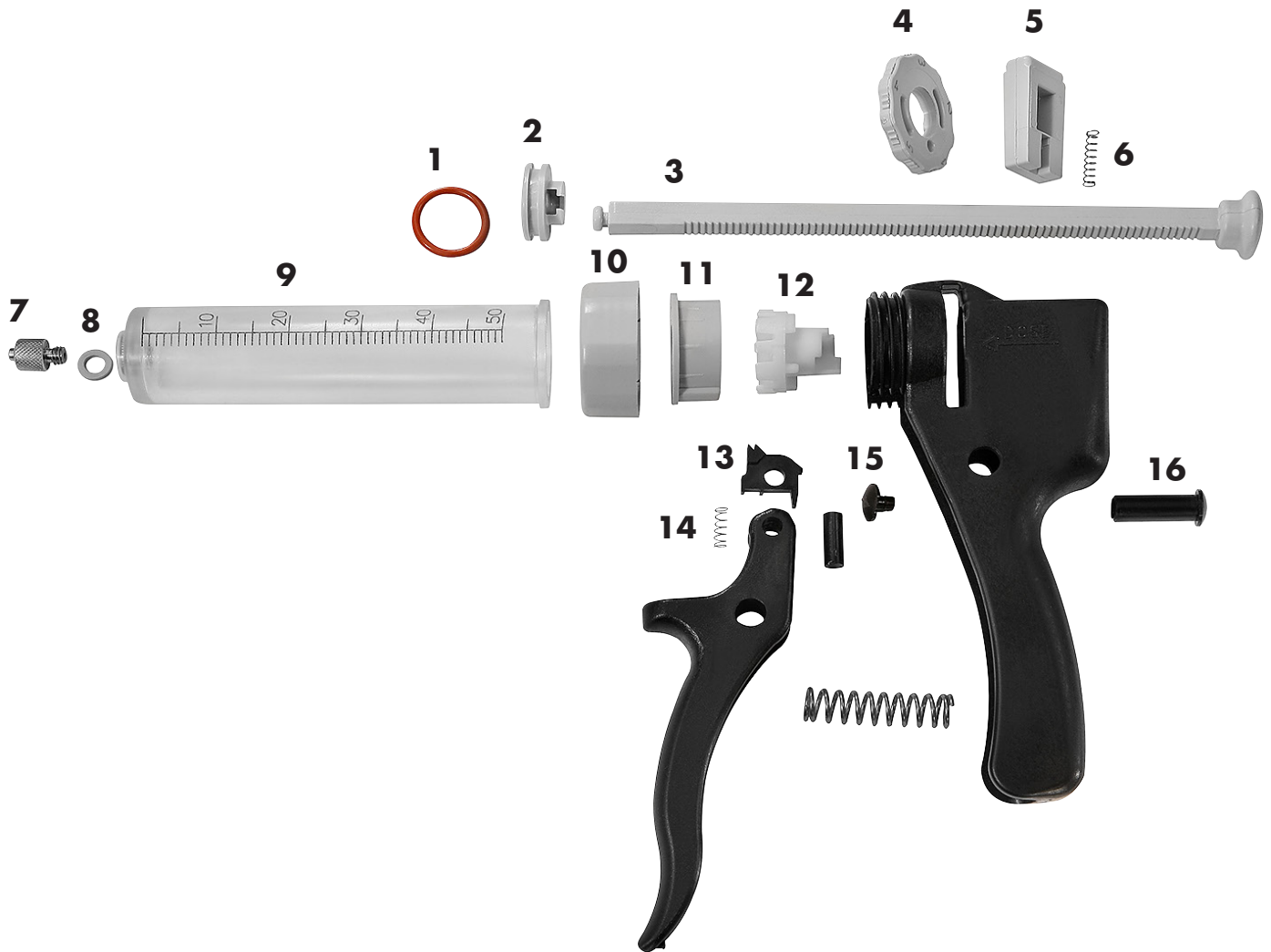
SEMI AUTOMATIC SYRINGE  
"REVOLVERMATIK" WITH ADJUSTABLE DOSE  
VETERINARY USE

CODE	VOLUME	DOSING
02.01.3001	10 ML	0,25 - 0,5 - 0,75 - 1 - 1,25 ml
02.01.3002	25 ML	0,5 - 1 - 1,5 - 2 - 2,5 ml
02.01.3003	50 ML	1 - 2 - 3 - 4 - 5 ml

**LIGHT AND EASY TO HANDLE**

**MADE WITH STRONG AND DURABLE MATERIAL**

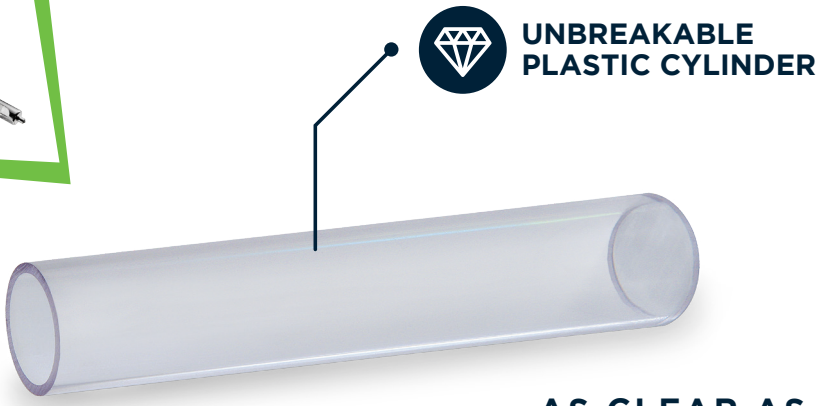
**FIXED SETTING**



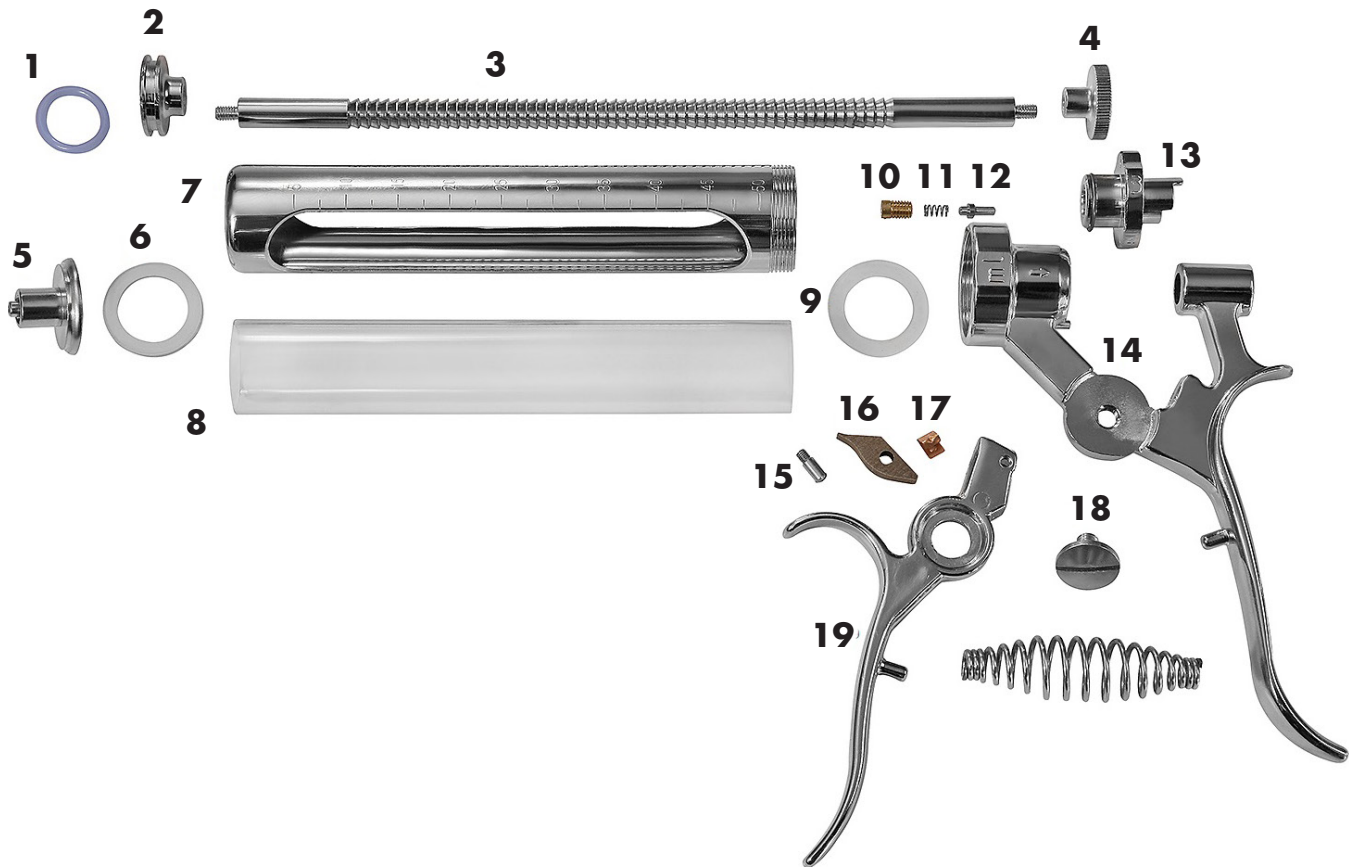
## AVAILABLE SPARE PARTS

	10 ML	25 ML	50 ML	
1	02.01.3511	02.01.3512	02.01.3513	SPARE PLUNGER O-RING FOR "REVOLVERMATIK" AND "STRONGVAX" 50 ML SYRINGE
2	02.01.3521	02.01.3522	02.01.3523	SPARE PLUNGER FOR "REVOLVERMATIK" 50 ML SYRINGE
3	02.01.3553	02.01.3553	02.01.3553	SPARE DOSING ROD FOR "REVOLVERMATIK" SYRINGE
4	02.01.3541	02.01.3542	02.01.3543	SPARE DOSAGE DIAL FOR "REVOLVERMATIK" 50 ML SYRINGE
5	02.01.3554	02.01.3554	02.01.3554	SPARE ANTI-REFLUX FOR "REVOLVERMATIK" SYRINGE
6	02.01.3556	02.01.3556	02.01.3556	SPARE ANTI-REFLUX SPRING FOR "REVOLVERMATIK" SYRINGE
7	02.01.3550	02.01.3550	02.01.3550	SPARE LUER LOCK TIP FOR "REVOLVERMATIK" SYRINGE
8	02.01.3551	02.01.3551	02.01.3551	GASKET FOR LL TIP FOR "REVOLVERMATIK" SYRINGE
9	02.01.3501	02.01.3502	02.01.3503	SPARE PLASTIC CYLINDER FOR "REVOLVERMATIK" 50 ML SYRINGE
10	02.01.3531	02.01.3532	02.01.3533	SPARE PLASTIC RING FOR "REVOLVERMATIK" 50 ML SYRINGE
11	02.01.3558	02.01.3558	02.01.3558	SPARE PLUNGER REAR STOPPING PLATE FOR "SMARTMATIK" SYRINGE
12	02.01.3557	02.01.3557	02.01.3557	SPARE INNER DOSAGE DIAL FOR "REVOLVERMATIK" SYRINGE
13	02.01.3552	02.01.3552	02.01.3552	SPARE PUSHING RATCHET + SPRING FOR "REVOLVERMATIK" SYRINGE
14	02.01.3555	02.01.3555	02.01.3555	SPARE PUSHING RATCHET SPRING FOR "REVOLVERMATIK" SYRINGE
15	02.01.3561	02.01.3561	02.01.3561	SPARE CAP FOR HANDLE LINCHPIN FOR "REVOLVERMATIK" SYRINGE
16	02.01.3562	02.01.3562	02.01.3562	SPARE HANDLE LINCHPIN FOR "REVOLVERMATIK" SYRINGE
	02.01.3516	02.01.3517	02.01.3518	SET OF SPARE SPRINGS - O RING REVOLVERMATIK 50 ML

# STRONGVAX 50 ML

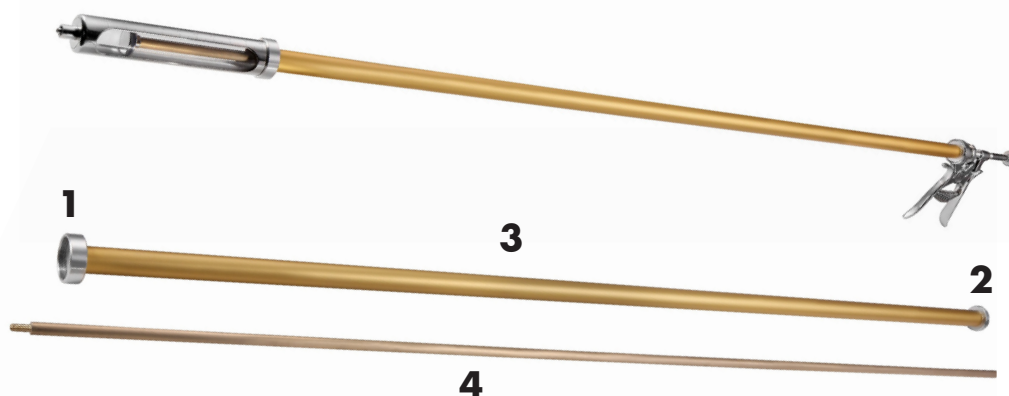


**AS CLEAR AS GLASS,  
AS STRONG AS IRON**



## AVAILABLE SPARE PARTS

1	02.01.3512	SPARE PLUNGER O-RING FOR "STRONGVAX" 50 ML SYRINGE
2	02.01.2790	SPARE PLUNGER FOR "STRONGVAX" 50 ML SYRINGE
3	02.01.2789	SPARE PUSHING ROD FOR "STRONGVAX" 50 ML SYRINGE
4	02.01.2781	SPARE REAR KNOB FOR "STRONGVAX" 50 ML SYRINGE
5	02.01.2782	SPARE LUER LOCK TIP FOR "STRONGVAX" 50 ML SYRINGE - COMPATIBLE WITH "MUTO" SYRINGE
6	02.01.2774	SPARE TIP-CYLINDER GASKET FOR "STRONGVAX" 50 ML SYRINGE
7	02.01.2776	SPARE METAL BARREL WITH WIDE SLOT FOR "STRONGVAX" 50 ML SYRINGE
8	02.01.8099	UNBREAKABLE PLASTIC CYLINDER FOR "STRONGVAX" COMPATIBLE WITH "MUTO" SYRINGE
9	02.01.2773	SPARE CYLINDER-HANDLE PLASTIC GASKET FOR "STRONGVAX" 50 ML SYRINGE
10	02.01.2783	SPARE DOSAGE DIAL SCREW FOR "STRONGVAX" 50 ML SYRINGE
11	02.01.2772	SPARE DOSAGE DIAL INNER SPRING FOR "STRONGVAX" 50 ML SYRINGE
12	02.01.2769	SPARE DOSAGE DIAL INNER LINCHPIN FOR "STRONGVAX" 50 ML SYRINGE
13	02.01.2786	SPARE DOSAGE DIAL FOR "STRONGVAX" 50 ML SYRINGE
14	02.01.2784	SPARE BACK HANDLE FOR "STRONGVAX" 50 ML SYRINGE
15	02.01.2788	SPARE PUSHING RATCHET LINCHPIN FOR "STRONGVAX" 50 ML SYRINGE
16	02.01.2785	SPARE PUSHING RATCHET FOR "STRONGVAX" 50 ML SYRINGE
17	02.01.2787	SPARE PUSHING RATCHET SPRING FOR "STROGVAX" 50 ML SYRINGE
18	02.01.2771	SPARE HANDLE SCREW FOR "STRONGVAX" 50 ML SYRINGE
19	02.01.2770	SPARE FRONT HANDLE/TRIGGER FOR "STRONGVAX" 50 ML SYRINGE



	<b>02.01.2888</b>	COMPLETE EXTENSION 95 CM FOR "STRONGVAX" SYRINGE
<b>1</b>	<b>02.01.2881</b>	OUTER CONNECTION - CYLINDER FOR "STRONGVAX" SYRINGE EXTENSION
<b>2</b>	<b>02.01.2880</b>	OUTER CONNECTION - HANDLE FOR "STRONGVAX" SYRINGE EXTENSION
<b>3</b>	<b>02.01.2870</b>	ALLUMINIUM EXTERNAL CYLINDER FOR "STRONGVAX" AND "MUTO" SYRINGE EXTENSION
<b>4</b>	<b>02.01.2871</b>	INNER ROD FOR "STRONGVAX" SYRINGE EXTENSION



SPARE REAR KNURLED KNOB FOR SYRINGE

<b>02.01.2801</b>	<b>BLACK/RED</b>
<b>02.01.2802</b>	<b>BLACK/GREEN</b>
<b>02.01.2803</b>	<b>BLACK/BLUE</b>
<b>02.01.2804</b>	<b>BLACK/YELLOW</b>



SPARE CHROMED CYLINDER FOR "STRONGVAX"

<b>02.01.2810</b>	<b>BLUE</b>
<b>02.01.2811</b>	<b>RED</b>
<b>02.01.2812</b>	<b>GREEN</b>
<b>02.01.2813</b>	<b>YELLOW</b>



## EASYVAX METAL



SEMI-AUTOMATIC SYRINGE  
"EASYVAX METAL" 50 ML WITH TPX  
CYLINDER - VETERINARY USE

**02.01.2836**



SPARE GASKET LUER LOCK AND  
PISTON FOR "EASYVAX METAL"  
SYRINGE

**02.01.2845**



SPARE HANDLE SPRING "EASYVAX  
METAL" SYRINGE

**02.01.2846**



SPARE HANDLE SCREW FOR  
"EASYVAX METAL" SYRINGE

**02.01.2847**



SPARE TPX PLASTIC CYLINDER  
FOR "EASYVAX METAL"  
SYRINGE

**02.01.2848**



SPARE LUER LOCK TIP FOR  
"EASYVAX METAL" SYRINGE

**02.01.2849**



KIT PIVOT+SPRING+TOOTH FOR  
"EASYVAX METAL" SYRINGE

**02.01.2855**



REAR SCREWED KNOB FOR  
PLUNGER COMPRESSION FOR  
"EASYVAX METAL"

**02.01.2856**

# HAUPTNER MUTO 50 ML



SEMI-AUTOMATIC SYRINGE HAUPTNER  
"MUTO 50 ML" WITH GLASS CYLINDER.  
VETERINARY USE

<b>02.01.2905</b>	<b>LUER LOCK TIP</b>
<b>02.01.2910</b>	<b>THREADED TIP</b>



OUTER CYLINDER WITH WIDER  
OPENINGS FOR "HAUPTNER MUTO"  
SYRINGE - GREY

**02.01.2820**



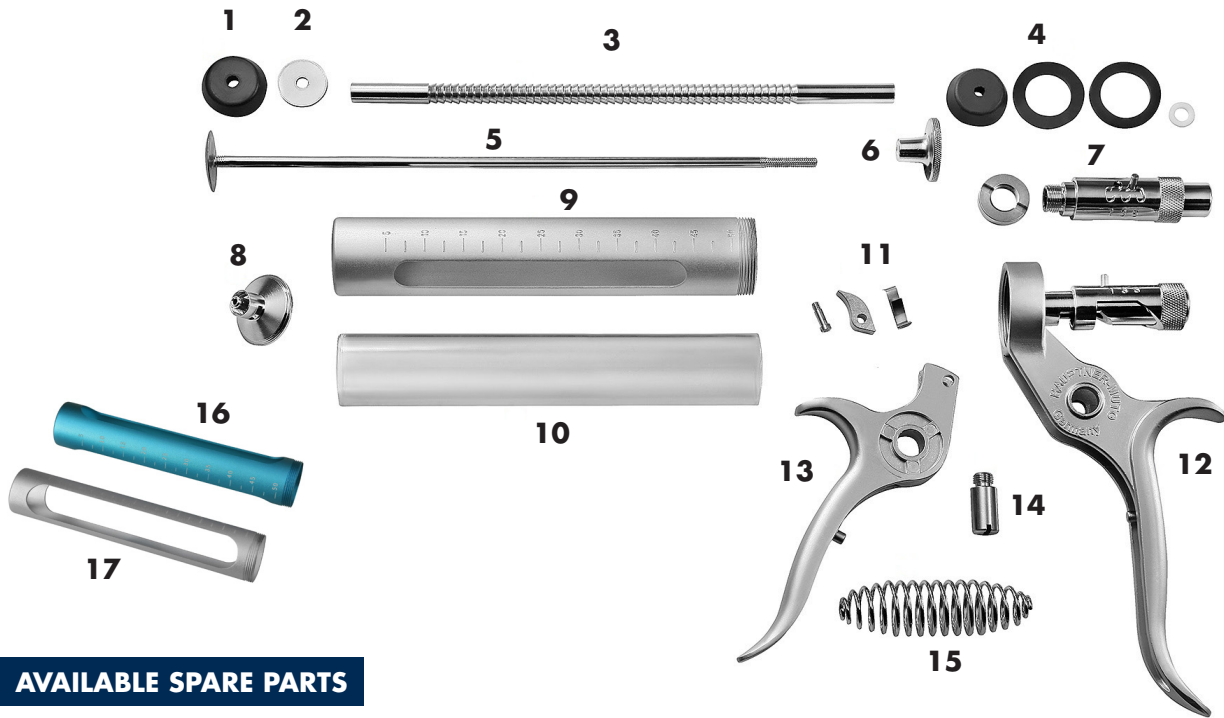
OUTER CYLINDER WITH WIDER  
OPENINGS FOR "HAUPTNER MUTO"  
SYRINGE - BLUE

**02.01.2823**



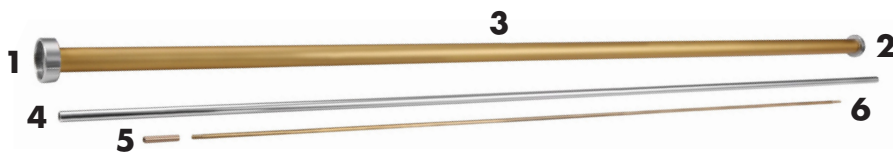
UNBREAKABLE PLASTIC CYLINDER

**02.01.8099**



### AVAILABLE SPARE PARTS

1	02.01.2965	PLUNGER RUBBER SEAL FOR "MUTO 50 ML" SYRINGE
2	02.01.2976	METAL PLATE FOR PLUNGER COMPRESSION
3	02.01.2974	OUTER SERRATED ROD OF THE PLUNGER FOR "STRONGVAX" SYRINGE
4	02.01.2966	SPARE GASKETS FOR "MUTO 50 ML" SYRINGE
5	02.01.2973	INNER ROD OF THE PLUNGER FOR "STRONGVAX" SYRINGE
6	02.01.2977	REAT SCREWED KNOB FOR PLUNGER COMPRESSION FOR "MUTO 50 ML" SYRINGE
7	02.01.2970	DOSING SELECTOR FOR "MUTO 50 ML" SYRINGE
8	02.01.2978	CAP WITH LUER LOCK CONNECTION FOR "MUTO 50 ML" SYRINGE
8	02.01.2979	CAP WITH THREADED CONNECTION FOR "MUTO 50 ML" SYRINGE
9	02.01.2969	CYLINDER METAL COVER FOR "MUTO 50 ML" SYRINGE
10	02.01.8099	UNBREAKABLE PLASTIC CYLINDER FOR "STRONGVAX" 50 ML COMPATIBLE WITH "MUTO" SYRINGE
11	02.01.2982	KIT PIVOT+SPRING+TOOTH FOR "MUTO 50 ML" SYRINGE
12	02.01.2980	BACK HANDLE (WITH DOSING SELECTOR) FOR "MUTO 50 ML" SYRINGE
13	02.01.2981	FRONT HANDLE/TRIGGER FOR "MUTO 50 ML" SYRINGE
14	02.01.2968	JOINING SCREW FOR HANDLE "MUTO 50 ML" SYRINGE
15	02.01.2967	SPRING FOR HANDLE "MUTO 50 ML" SYRINGE
16	02.01.2823	OUTER CYLINDER WITH WIDER OPENINGS FOR "HAUPTNER MUTO" SYRINGE - LIGHT BLUE
17	02.01.2820	OUTER CYLINDER WITH WIDER OPENINGS FOR "HAUPTNER MUTO" SYRINGE - GREY



EXTENSION COMPLETE 95 CM FOR "HAUPTNER MUTO" SYRINGE

**02.01.2890**

1	02.01.2885	OUTER CONNECTION EXTENSION - CYLINDER FOR "MUTO" SYRINGE
2	02.01.2884	OUTER CONNECTION EXTENSION - HANDLE FOR "MUTO SYRINGE"
3	02.01.2870	ALLUMINIUM TUBE POLE FOR "STRONGVAX" - "MUTO" SYRINGE
4	02.01.2872	INNER TUBE ALLUMINIUM CABLE FOR EXTENSION "MUTO" SYRINGE
5	02.01.2874	INNER CONNECTION FOR EXTENSION "MUTO" SYRINGE
6	02.01.2873	INNER POLE FOR "MUTO" SYRINGE EXTENSION

## SMARTVAX 50 ML



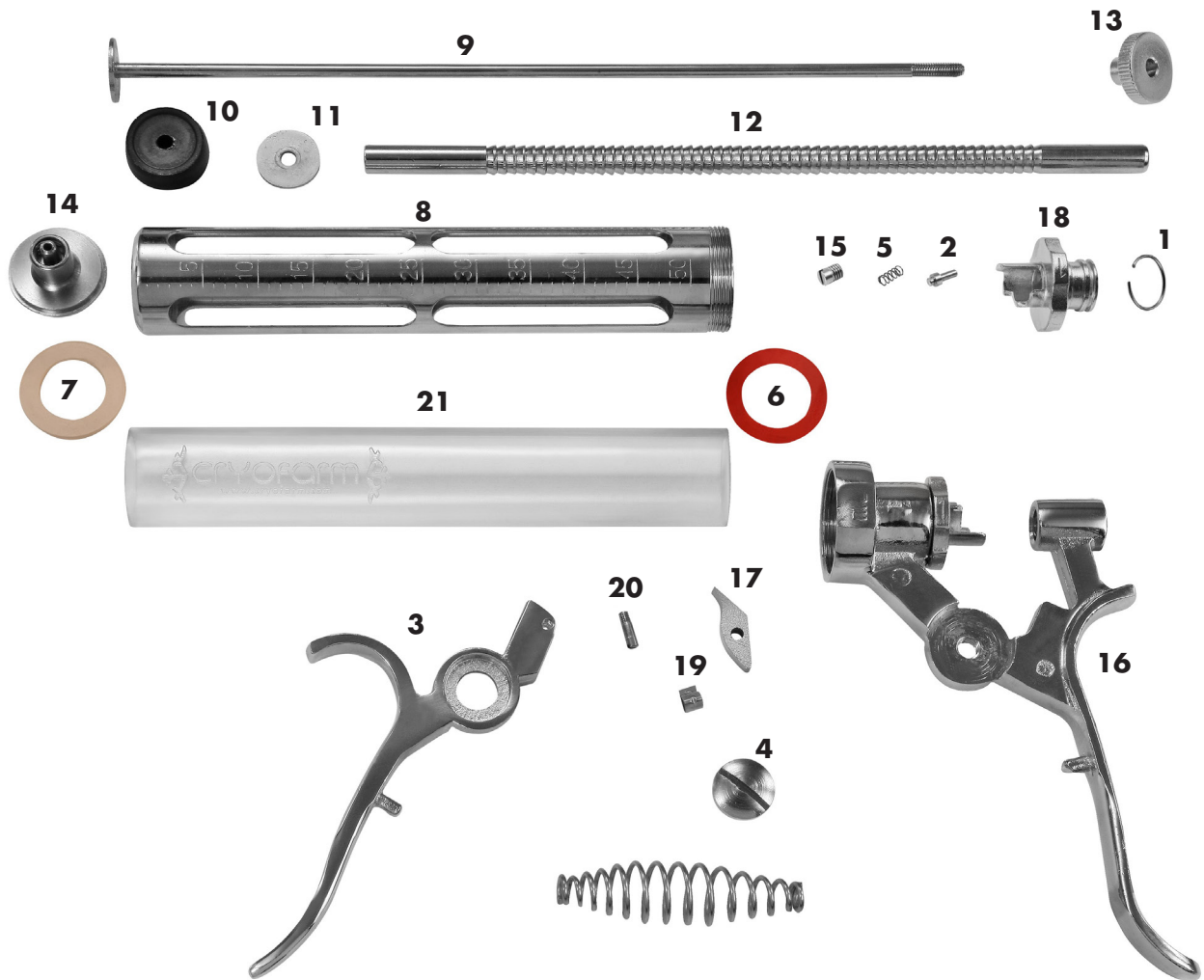
SEMI-AUTOMATIC SYRINGE "SMARTVAX"  
50 ML WITH UNBREAKABLE CYLINDER -  
VETERINARY USE

**02.01.7505**



SPARE UNBREAKABLE PLASTIC  
CYLINDER FOR "SMARTVAX" 50 ML  
SYRINGE

**02.01.7760**



## AVAILABLE SPARE PARTS

<b>1</b>	<b>02.01.7718</b>	SPARE DOSAGE DIAL METAL O-RING FOR "SMARTVAX" 50 ML SYRINGE
<b>2</b>	<b>02.01.7719</b>	SPARE DOSAGE DIAL LINCHPIN FOR "SMARTVAX" 50 ML SYRINGE
<b>3</b>	<b>02.01.7720</b>	SPARE SMALL HANDLE/TRIGGER FOR "SMARTVAX" 50 ML SYRINGE
<b>4</b>	<b>02.01.7721</b>	SPARE HANDLE SCREW FOR "SMARTVAX" 50 ML SYRINGE
<b>5</b>	<b>02.01.7722</b>	SPARE DOSAGE DIAL SPRING FOR "SMARTVAX" 50 ML SYRINGE
<b>6</b>	<b>02.01.7723</b>	SPARE CYLINDER-HANDLE WASHER FOR "SMARTVAX" 50 ML SYRINGE
<b>7</b>	<b>02.01.7725</b>	SPARE TIP-CYLINDER RUBBER O-RING FOR "SMARTVAX" 50 ML SYRINGE
<b>8</b>	<b>02.01.7727</b>	SPARE BARREL METAL FRAME FOR "SMARTVAX" 50 ML SYRINGE
<b>9</b>	<b>02.01.7728</b>	SPARE INNER PISTON SHAFT FOR "SMARTVAX" 50 ML SYRINGE
<b>10</b>	<b>02.01.7730</b>	SPARE PISTON RUBBER SEAL FOR "SMARTVAX" 50 ML SYRINGE
<b>11</b>	<b>02.01.7731</b>	SPARE PISTON HOLDING DISC FOR "SMARTVAX" 50 ML SYRINGE
<b>12</b>	<b>02.01.7732</b>	SPARE OUTER PISTON SHAFT WITH DOSAGE STEP FOR "SMARTVAX" 50 ML SYRINGE
<b>13</b>	<b>02.01.7733</b>	SPARE REAR KNOB FOR "SMARTVAX" 50 ML SYRINGE
<b>14</b>	<b>02.01.7738</b>	SPARE TOP PART WITH LUER LOC ADAPTER FOR "SMARTVAX" 50 ML SYRINGE
<b>15</b>	<b>02.01.7742</b>	SPARE DOSAGE DIAL INNER SCREW FOR "SMARTVAX" 50 ML SYRINGE
<b>16</b>	<b>02.01.7745</b>	SPARE BIG HANDLE FOR "SMARTVAX" 50 ML SYRINGE
<b>17</b>	<b>02.01.7747</b>	SPARE DOSAGE RATCHET FOR "SMARTVAX" 50 ML SYRINGE
<b>18</b>	<b>02.01.7749</b>	SPARE DOSAGE DIAL FOR "SMARTVAX" 50 ML SYRINGE
<b>19</b>	<b>02.01.7751</b>	SPARE RATCHET SPRING FOR "SMARTVAX" 50 ML SYRINGE
<b>20</b>	<b>02.01.7752</b>	SPARE RATCHET SCREW FOR "SMARTVAX" 50 ML SYRINGE
<b>21</b>	<b>02.01.7760</b>	SPARE UNBREAKABLE PLASTIC CYLINDER FOR "SMARTVAX" 50 ML SYRINGE

## SMARTMATIK



AUTOMATIC SYRINGE  
"SMARTMATIK" WITH BOTTLE  
HOLDER WITH REPLACEABLE VALVE -  
VETERINARY USE

<b>02.01.4442</b>	<b>2 ML</b>
<b>02.01.4445</b>	<b>5 ML</b>



AUTOMATIC SYRINGE  
"SMARTMATIK" WITH TUBE -  
VETERINARY USE

<b>02.01.4402</b>	<b>2 ML</b>
<b>02.01.4405</b>	<b>5 ML</b>



SPARE LUER LOCK TIP  
FOR "SMARTMATIK"  
SYRINGE

**02.01.4490**



SPARE CYLINDER FOR  
"SMARTMATIK" 2  
ML SYRINGE WITH  
BOTTLE HOLDER AND  
REPLACEABLE VALVE

<b>02.01.4448</b>	<b>2 ML</b>
<b>02.01.4449</b>	<b>5 ML</b>



SPARE CYLINDER  
"SMARTMATIK"  
WITH TUBE

<b>02.01.4508</b>	<b>2 ML</b>
<b>02.01.4510</b>	<b>5 ML</b>



SPARE CONNECTION  
TUBE FOR "SMARTMATIK"  
SYRINGE

**02.01.4517**



SPARE FLEXIBLE DIP TUBE  
100 CM FOR SYRINGE

**02.01.3318**



SPARE BOTTLE ADAPTER  
FOR "SMARTMATIK"  
SYRINGE

<b>02.01.4492</b>	<b>MEDIUM</b>
<b>02.01.4493</b>	<b>BIG</b>



PROTECTIVE BOTTLE  
HOLDER - STANDARD-  
FOR "SMARTMATIK"  
SYRINGE

<b>02.01.4499</b>	<b>100 ML</b>
<b>02.01.4519</b>	<b>250 ML</b>



SPARE BOTTLE HOLDER  
RUBBER INSERT FOR  
"SMARTMATIK" AND  
"ROTAMATIK" SYRINGE

**02.01.4494**



SPARE SPRINGS  
VALVES, O-RING FOR  
"SMARTMATIK" WITH  
BOTTLE HOLDER

<b>02.01.4482</b>	<b>2 ML</b>
<b>02.01.4485</b>	<b>5 ML</b>



SPARE SPRING,  
VALVES, O-RING FOR  
"SMARTMATIK" WITH TUBE

**02.01.4490**

## ROTAMATIK



AUTOMATIC "ROTAMATIK" SYRINGE  
WITH BOTTLE HOLDER  
VETERINARY USE

<b>02.01.4642</b>	<b>2 ML</b>
<b>02.01.4645</b>	<b>6 ML</b>



SPARE CYLINDER FOR "ROTAMATIK"  
SYRINGE WITH BOTTLE HOLDER

<b>02.01.4657</b>	<b>2 ML</b>
<b>02.01.4659</b>	<b>6 ML</b>



SPARE LUER LOCK CONNECTION  
FOR "ROTAMATIK" SYRINGE

<b>02.01.4670</b>
-------------------



SPARE SETS OF FRONT AND TOP  
O-RINGS AND SPRINGS FOR  
"ROTAMATIK" SYRINGE WITH  
BOTTLE HOLDER

<b>02.01.4647</b>	<b>2 ML</b>
<b>02.01.4649</b>	<b>6 ML</b>



SPARE BOTTLE HOLDER RUBBER  
INSERT FOR "SMARTMATIK" AND  
"ROTAMATIK" SYRINGE

<b>02.01.4494</b>
-------------------



PROTECTIVE BOTTLE HOLDER -  
STANDARD

<b>02.01.4499</b>	<b>100 ML</b>
<b>02.01.4519</b>	<b>250 ML</b>

## SERENA



AUTOMATIC SYRINGE "SERENA"  
WITH FRONT BOTTLE HOLDER -  
VETERINARY USE

<b>02.01.3330</b>	<b>0,5 ML</b>
<b>02.01.3331</b>	<b>1 ML</b>
<b>02.01.3332</b>	<b>2 ML</b>



AUTOMATIC SYRINGE "SERENA"  
WITH REAR 45° BOTTLE HOLDER -  
VETERINARY USE

<b>02.01.3348</b>	<b>5 ML</b>
<b>02.01.3344</b>	<b>12 ML</b>



SPARE LUER LOCK TIP FOR "SERENA"  
SYRINGE

**02.01.3396**



SPARE PLASTIC TIP OF THE BOTTLE  
HOLDER "SERENA"

**02.01.3365**



SPARE BOTTLE HOLDER ADAPTER FOR  
BOTTLE HOLDER "SERENA"

<b>02.01.3366</b>	<b>BIG</b>
<b>02.01.3367</b>	<b>SMALL</b>



SPARE O-RINGS AND VALVES FOR  
"SERENA" SYRINGE

<b>02.01.3380</b>	<b>0,5 ML</b>
<b>02.01.3381</b>	<b>1 ML</b>
<b>02.01.3382</b>	<b>2 ML</b>
<b>02.01.3383</b>	<b>5 ML</b>
<b>02.01.3384</b>	<b>12 ML</b>



SPARE CYLINDER FOR "SERENA"  
SYRINGE

<b>02.01.3390</b>	<b>0,5 ML</b>
<b>02.01.3391</b>	<b>1 ML</b>
<b>02.01.3392</b>	<b>2 ML</b>
<b>02.01.3393</b>	<b>5 ML</b>
<b>02.01.3394</b>	<b>12 ML</b>



## SERENA



AUTOMATIC SYRINGE "SERENA"  
WITH TUBE - VETERINARY USE

<b>02.01.3320</b>	<b>0,5 ML</b>
<b>02.01.3321</b>	<b>1 ML</b>
<b>02.01.3322</b>	<b>2 ML</b>



AUTOMATIC SYRINGE "SERENA"  
WITH TUBE - VETERINARY USE

<b>02.01.3323</b>	<b>5 ML</b>
<b>02.01.3324</b>	<b>12 ML</b>



SPARE LUER LOCK TIP FOR "SERENA"  
SYRINGE

**02.01.3396**



SPARE HEAD CONNECTION  
FOR TUBE FOR "SERENA" SYRINGE

**02.01.3398**



SPARE O-RINGS AND VALVES FOR  
"SERENA" SYRINGE

<b>02.01.3380</b>	<b>0,5 ML</b>
<b>02.01.3381</b>	<b>1 ML</b>
<b>02.01.3382</b>	<b>2 ML</b>
<b>02.01.3383</b>	<b>5 ML</b>
<b>02.01.3384</b>	<b>12 ML</b>



SPARE CYLINDER FOR "SERENA"  
SYRINGE

<b>02.01.3390</b>	<b>0,5 ML</b>
<b>02.01.3391</b>	<b>1 ML</b>
<b>02.01.3392</b>	<b>2 ML</b>
<b>02.01.3393</b>	<b>5 ML</b>
<b>02.01.3394</b>	<b>12 ML</b>



SPARE FLEXIBLE DIP TUBE 100 CM  
FOR SYRINGE

**02.01.3318**

**SERENA**



AUTOMATIC DOUBLE SYRINGE  
"SERENA" WITH TUBE INDEPENDENT  
ADJUSTMENT - VETERINARY USE

<b>02.01.3301</b>	<b>0,5 ML</b>
<b>02.01.3304</b>	<b>2 ML</b>



SPARE GASKETS AND VALVES KIT  
FOR AUTOMATIC "SERENA" DOUBLE  
SYRINGE

<b>02.01.3311</b>	<b>0,5 ML</b>
<b>02.01.3911</b>	<b>2 ML</b>



SPARE CYLINDER FOR AUTOMATIC  
"SERENA" DOUBLE SYRINGE

<b>02.01.3314</b>	<b>0,5 ML</b>
<b>02.01.3914</b>	<b>2 ML</b>



SPARE LL HEAD FOR "SERENA"  
DOUBLE SYRINGE WITH DOUBLE EXIT

<b>02.01.3306</b>	<b>29 MM GAP</b>
<b>02.01.3307</b>	<b>23 MM GAP</b>
<b>02.01.3308</b>	<b>SINGLE EXIT</b>



SPARE FLEXIBLE DIP TUBE 100 CM  
FOR SYRINGE

<b>02.01.3318</b>
-------------------



SPARE HEAD CONNECTION FOR  
TUBE FOR "SERENA" SYRINGE

<b>02.01.3398</b>
-------------------

## POULTRY SMALLPOX



AUTOMATIC SYRINGE "SERENA"  
3 ML FOR POULTRY SMALLPOX -  
VETERINARY USE

**02.01.3350**



SPARE GASKET AND NEEDLE FOR  
"SERENA" 3 ML FOR POULTRY  
SMALLPOX SYRINGE

**02.01.3351**



SPARE HANDLE FOR "SERENA" 3 ML  
FOR POULTRY SMALLPOX SYRINGE

**02.01.3358**



SPARE CYLINDER FOR "SERENA"  
3 ML FOR POULTRY SMALLPOX  
SYRINGE

**02.01.3353**



AUTOMATIC SYRINGE "SMART" 5  
ML FOR POULTRY SMALLPOX WITH  
DOUBLE NEEDLES - VETERINARY USE

**02.01.4706**



SPARE NEEDLES AND GASKETS FOR  
"SMART" 5 ML POULTRY SMALLPOX  
SYRINGE

**02.01.4720**



SPARE CYLINDER FOR "SMART" 5 ML  
POULTRY SMALLPOX SYRINGE

**02.01.4721**

**SOCOREX**



AUTOMATIC SYRINGE  
"SOCOREX 187" WITH TUBE -  
VETERINARY USE

<b>02.01.3635</b>	<b>0,3 ML</b>
<b>02.01.3600</b>	<b>0,5 ML</b>
<b>02.01.3637</b>	<b>1 ML</b>

AUTOMATIC DOUBLE SYRINGE  
"SOCOREX 287" WITH TUBE-  
VETERINARY USE

<b>02.01.3652</b>	<b>0,5 ML</b>
<b>02.01.3651</b>	<b>1 ML</b>



SPARE LUER LOCK HEAD  
FOR "SOCOREX 187-  
287" SYRINGE

**02.01.3601**



SPARE PART  
CONNECTION  
HEAD WITH TUBE FOR  
"SOCOREX 187-287"  
SYRINGE

**02.01.3602**



SPARE SOCKET FOR  
"SOCOREX 187-287"  
SYRINGE

**02.01.3603**



SPARE DOSAGE DIAL  
FOR "SOCOREX 187-  
287" SYRINGE

**02.01.3604**



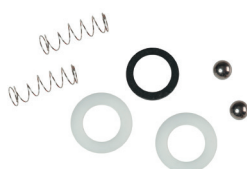
LUER LOCK HEAD  
"SOCOREX" DOUBLE  
SYRINGE WITH SINGLE  
EXIT

**02.01.3650**



SPARE SPRING FOR  
"SOCOREX 187-287"  
SYRINGE

**02.01.3608**



SPARE O-RINGS AND  
VALVES FOR "SOCOREX  
187-287"

<b>02.01.3619</b>	<b>0,3 ML</b>
<b>02.01.3620</b>	<b>0,5 ML</b>
<b>02.01.3621</b>	<b>1 ML</b>



SPARE GLASS BARREL  
WITH PLUNGER FOR  
"SOCOREX 187-287"  
0,5 ML SYRINGE

**02.01.3605**



SPARE GLASS BARREL  
WITH PLUNGER FOR  
"SOCOREX 187"

<b>02.01.3626</b>	<b>0,3 ML</b>
<b>02.01.3628</b>	<b>1 ML</b>



SPARE GLASS BARREL  
FOR "SOCOREX 187"

<b>02.01.3611</b>	<b>0,3 ML</b>
<b>02.01.3616</b>	<b>0,5 ML</b>
<b>02.01.3609</b>	<b>1 ML</b>

## SOCOREX



AUTOMATIC SYRINGE "SOCOREX ULTRA" WITH TUBE - VETERINARY USE

<b>02.01.4801</b>	<b>0,1 ML</b>
<b>02.01.4803</b>	<b>0,3 ML</b>
<b>02.01.4805</b>	<b>0,5 ML</b>
<b>02.01.4806</b>	<b>1 ML</b>



SPARE PLUNGER FOR "SOCOREX ULTRA" SYRINGE

<b>02.01.4861</b>	<b>0,1 ML</b>
<b>02.01.4863</b>	<b>0,3 ML</b>
<b>02.01.4865</b>	<b>0,5 ML</b>
<b>02.01.4866</b>	<b>1 ML</b>



SPARE CYLINDER FOR "SOCOREX ULTRA" SYRINGE

<b>02.01.4851</b>	<b>0,1 ML</b>
<b>02.01.4853</b>	<b>0,3 ML</b>
<b>02.01.4855</b>	<b>0,5 ML</b>
<b>02.01.4856</b>	<b>1 ML</b>



SPARE PLUNGER SEAL FOR "SOCOREX ULTRA" SYRINGE (10)

<b>02.01.4871</b>	<b>0,1 ML</b>
<b>02.01.4873</b>	<b>0,3 ML</b>



SPARE ENTER RED VALVE FOR "SOCOREX ULTRA" SYRINGE

<b>02.01.4881</b>	<b>0,1 - 0,5 ML</b>
<b>02.01.4883</b>	<b>1 ML</b>



SPARE EXIT RED VALVE FOR "SOCOREX ULTRA" SYRINGE

<b>02.01.4882</b>	<b>0,1 - 0,5 ML</b>
<b>02.01.4884</b>	<b>1 ML</b>



SPARE PART CONNECTION HEAD WITH TUBE FOR "SOCOREX 1810 ULTRA" SYRINGE

<b>02.01.4885</b>
-------------------



ABACUS SHOTS COUNTER SYSTEM FOR "SOCOREX 1810 ULTRA" SYRINGE

<b>02.01.4836</b>	<b>0,1 E 0,2 ML</b>
<b>02.01.4837</b>	<b>0,3 E 0,5 ML</b>



FISH VACCINATION GUIDE -SMALL- FOR "SOCOREX 1810 ULTRA" SYRINGE

<b>02.01.4831</b>	<b>15 MM</b>
<b>02.01.4832</b>	<b>25 MM</b>
<b>02.01.4833</b>	<b>45 MM</b>



SPARE RING FOR FISH GUIDE FOR "SOCOREX 1810 ULTRA" SYRINGE

<b>02.01.4895</b>	<b>15 MM</b>
<b>02.01.4896</b>	<b>25 MM</b>
<b>02.01.4897</b>	<b>45 MM</b>



VETERINARY DISPOSABLE  
HYPODERMIC NEEDLES LL

02.03.4510	Ø 0,45 x 12 mm	26G x 1/2"
02.03.4515	Ø 0,5 x 16 mm	25G x 5/8"
02.03.4520	Ø 0,6 x 25 mm	23G x 1"
02.03.4525	Ø 0,7 x 30 mm	22G x 1 1/4"
02.03.4530	Ø 0,7 x 40 mm	22G x 1 1/2"
02.03.4541	Ø 0,8 x 16 mm	21G x 5/8"
02.03.4545	Ø 0,8 x 25 mm	21G x 1"
02.03.4550	Ø 0,8 x 40 mm	21G x 1 1/2"
02.03.4570	Ø 1,2 x 40 mm	18G x 1 1/2"
02.03.4180	Ø 1,8 x 40 mm	15G x 1 1/2"



VETERINARY NEEDLES S.S. ROUND BASE  
LL (12)

02.14.0706	Ø 0,7 x 06 mm	22G x 1/4"
02.14.0810	Ø 0,8 x 10 mm	21G x 3/8"
02.14.1010	Ø 1,0 x 10 mm	19G x 3/8"
02.14.1015	Ø 1,0 x 15 mm	19G x 5/8"
02.14.1020	Ø 1,0 x 20 mm	19G x 3/4"
02.14.1025	Ø 1,0 x 25 mm	19G x 1"
02.14.1210	Ø 1,2 x 10 mm	18G x 3/8"
02.14.1212	Ø 1,2 x 12 mm	18G x 1/2"
02.14.1215	Ø 1,2 x 15 mm	18G x 5/8"
02.14.1220	Ø 1,2 x 20 mm	18G x 3/4"
02.14.1225	Ø 1,2 x 25 mm	18G x 1"
02.14.1230	Ø 1,2 x 30 mm	18G x 1 1/4"
02.14.1240	Ø 1,2 x 40 mm	18G x 1 1/2"
02.14.1510	Ø 1,5 x 10 mm	17G x 3/8"
02.14.1512	Ø 1,5 x 12 mm	17G x 1/2"
02.14.1515	Ø 1,5 x 15 mm	17G x 5/8"
02.14.1520	Ø 1,5 x 20 mm	17G x 3/4"
02.14.1525	Ø 1,5 x 25 mm	17G x 1"
02.14.1530	Ø 1,5 x 30 mm	17G x 1 1/4"
02.14.1535	Ø 1,5 x 35 mm	17G x 1 3/8"
02.14.1540	Ø 1,5 x 40 mm	17G x 1 1/2"
02.14.1810	Ø 1,8 x 10 mm	15G x 3/8"
02.14.1812	Ø 1,8 x 12 mm	15G x 1/2"
02.14.1815	Ø 1,8 x 15 mm	15G x 5/8"
02.14.1820	Ø 1,8 x 20 mm	15G x 3/4"
02.14.1825	Ø 1,8 x 25 mm	15G x 1"
02.14.1830	-Ø 1,8 x 30 mm	15G x 1 1/4"
02.14.1840	Ø 1,8 x 40 mm	15G x 1 1/2"
02.14.2010	Ø 2,0 x 10 mm	14G x 3/8"
02.14.2012	Ø 2,0 x 12 mm	14G x 1/2"
02.14.2015	Ø 2,0 x 15 mm	14G x 5/8"
02.14.2020	Ø 2,0 x 20 mm	14G x 3/4"
02.14.2040	Ø 2,0 x 40 mm	14G x 1 1/2"
02.14.2225	Ø 2,2 x 25 mm	13G x 1"
02.14.2230	Ø 2,2 x 30 mm	13G x 1 1/4"
02.14.2240	Ø 2,2 x 40 mm	13G x 1 1/2"
02.14.2425	Ø 2,4 x 25 mm	12G x 1"
02.14.2430	Ø 2,4 x 30 mm	12G x 1 1/4"
02.14.2440	Ø 2,4 x 40 mm	12G x 1 1/2"

**FOR POULTRY**



VETERINARY NEEDLES "IABER ECO" S.S.  
SQUARED BASE LL (12)

02.05.101B	Ø 1x10 mm	19G x 3/8"
02.05.108B	Ø 0,8x10 mm	21G x 3/8"

**FOR FISH**



VETERINARY NEEDLES "SOCOREX" S.S.  
SQUARED BASE LL (12)

02.05.403S	Ø 0,5x3 mm	25G x 1/8"
02.05.608S	Ø 0,6x8 mm	23G x 1/8"
02.05.713S	Ø 0,7x13 mm	22G x 1/8"



DRENCHER "IMEX" WITH CANNULA - VETERINARY USE

<b>02.01.2013</b>	<b>250 ML</b>
<b>02.01.2016</b>	<b>400 ML</b>



DRENCHER "IAMU" 400 ML WITH CANNULA - VETERINARY USE

<b>02.01.2019</b>
-------------------



SYRINGE "SMART" 100 ML WITH CANNULA AND LUER LOCK - VETERINARY USE

<b>02.01.2006</b>
-------------------



SPARE CANNULA FOR "IMEX" DRENCHER

<b>02.01.2043</b>
-------------------



SPARE O-RING FOR "IMEX" DRENCHER 250 ML

<b>02.01.2508</b>	<b>250 ML</b>
<b>02.01.2509</b>	<b>400 ML</b>



SPARE CANNULA FOR "IAMU" DRENCHER

<b>02.01.2053</b>
-------------------



SPARE O-RING FOR "IAMU" DRENCHER 400 ML

<b>02.01.2510</b>
-------------------



DRENCHING CANNULA 120 X 6 MM LUER LOCK

<b>02.01.3158</b>
-------------------



DRENCHING GUN "GEMA" WITH CANNULA - VETERINARY USE

<b>02.01.3215</b>	<b>35 ML</b>
<b>02.01.3216</b>	<b>70 ML</b>
<b>02.01.3217</b>	<b>200 ML</b>
<b>02.01.3220</b>	<b>300 ML</b>



MANUAL SEMIAUTOMATIC "GUANFU" 300 ML DRENCHER

<b>02.01.3225</b>
-------------------



SPARE GASKETS FOR "GEMA" DRENCHING GUN

<b>02.01.3235</b>	<b>35 ML</b>
<b>02.01.3236</b>	<b>70 ML</b>
<b>02.01.3237</b>	<b>200 ML</b>
<b>02.01.3240</b>	<b>300 ML</b>



SPARE CANNULA FOR DRENCHING GUN "GEMA"

<b>02.01.3245</b>	<b>12 CM</b>	<b>35/70 ML</b>
<b>02.01.3246</b>	<b>20 CM</b>	<b>200/300 ML</b>



SPARE PARTS KIT "GUANFU" 300 ML

<b>02.01.3242</b>
-------------------



CANNULA FOR "GUANFU" 300 ML DRENCHER - 20 ML

<b>02.01.3247</b>
-------------------



AUTOMATIC DRENCHER "SMARTDOSE"  
30 ML WITH CANNULA -  
VETERINARY USE

**02.01.4220**



SPARE CYLINDER FOR  
"SMARTDOSE" 30 ML  
DRENCHER

**02.01.4260**



SPARE CANNULA 12 CM FOR  
"SMARTDOSE" DRENCHER

**02.01.4280**



SPARE O-RING FOR  
"SMARTDOSE" 30 ML  
DRENCHER

**02.01.4270**



EXTENSION WITH LONG BENT  
FEEDING CANNULA FOR  
"SMARTDOSE" DRENCHER

**02.01.4290**



DRENCHING GUN "IAPLAST" 50 ML  
WITH CANNULA - VETERINARY USE

**02.01.4185**



SPARE GASKETS FOR "IAPLAST"  
DRENCHING GUN

**02.01.4190**



SPARE CYLINDER FOR "IAPLAST"  
DRENCHING GUN

**02.01.4195**



SPARE CANNULA WITH  
CONNECTION FOR "IAPLAST"  
DRENCHING GUN

**02.01.4197**



BACKPACK BOTTLE 2,5 L

**02.01.5103**



SPARE CAP FOR BACKPACK  
BOTTLE 2,5 L

**02.01.5122**





FIXED SCALPEL HANDLE (SS)  
- NR. 3

**02.02.0001**



FIXED SCALPEL HANDLE (SS)  
- NR. 4

**02.02.0002**



FOLDING SCALPEL HANDLE  
(SS) - NR. 4

**02.02.0003**



NEEDLE HOLDER  
MATHIEU (SS)

<b>02.02.0151</b>	<b>17 CM</b>	<b>6,5"</b>
<b>02.02.0152</b>	<b>20 CM</b>	<b>8"</b>



DISSECTING FORCEPS 1X2  
TEETH (SS)

<b>02.02.0505</b>	<b>18 CM</b>	<b>7"</b>
<b>02.02.0506</b>	<b>20 CM</b>	<b>8"</b>



ANATOMIC FORCEPS (SS)

<b>02.02.0509</b>	<b>15 CM</b>	<b>6"</b>
<b>02.02.0510</b>	<b>18 CM</b>	<b>7"</b>
<b>02.02.0511</b>	<b>20 CM</b>	<b>8"</b>



KELLY HEMOSTATIC FORCEPS  
CURVED (SS) 18 CM - 7"

**02.02.0520**



KELLY HEMOSTATIC FORCEPS  
STRAIGHT (SS) 18 CM - 7"

**02.02.0521**



KELLY/KOCHER HEMOSTATIC  
FORCEPS 1X2 TEETH CURVED  
(SS) 18 CM - 7"

**02.02.0530**



KELLY/KOCHER HEMOSTATIC  
FORCEPS 1X2 TEETH  
STRAIGHT (SS) 18 CM - 7"

**02.02.0531**



SURGICAL SCISSOR  
STRAIGHT SHARP/BLUNT (SS)  
18 CM - 7"

**02.02.0550**



SURGICAL SCISSOR  
STRAIGHT BLUNT/BLUNT (SS)  
18 CM - 7"

**02.02.0551**



SURGICAL SCISSOR CURVED  
SHARP/BLUNT (SS) 18 CM - 7"

**02.02.0555**



SURGICAL SCISSOR CURVED  
BLUNT/BLUNT (SS) 18 CM - 7"

**02.02.0556**



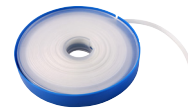
HOLLOW WARE RECTANGULAR

<b>02.02.0702</b>	<b>20 X 10 X 6 CM</b>
<b>02.02.0703</b>	<b>20 X 10 X 2 CM</b>



BÜHNER'S NEEDLE (SS)

<b>02.02.0071</b>	<b>15,5 CM</b>	<b>6"</b>
<b>02.02.0072</b>	<b>20 CM</b>	<b>8"</b>
<b>02.02.0073</b>	<b>30 CM</b>	<b>12"</b>



BUHNER'S VAGINAL TAPE  
5 M X 4 MM (IN. Ø 2,5 MM)

**02.03.1350**



BUHNER'S VAGINAL TAPE  
5 M X 7 MM (IN. Ø 6,5 MM)

**02.03.1351**



WOUND NEEDLE GALVANIZED  
10 CM

**02.06.0081**



OBSTETRIC FORCEPS (SS)  
52 CM - 20"

**02.06.0210**



OBSTETRIC HOOK (SS) 54 CM - 21"

**02.06.0221**



EYE HOOK BLUNT 6,5 CM - 2,5"

**02.06.0231**



EYE HOOK SHARP 6,5 CM - 2,5"

**02.06.0232**



CALVING CHAIN WITH ADJUSTABLE  
HANDLES

**02.06.0300**



KREY-SCHOTTLER OBSTETRIC HOOK  
(SS) 20 CM - 8"

**02.06.0304**



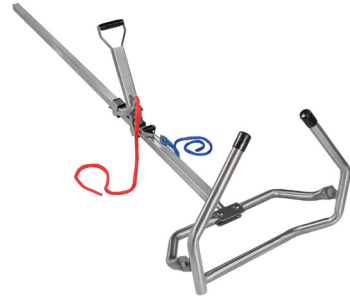
OB WIRE GUIDE 18 CM - 7"

**02.06.0306**



CALF PULLER "VINK"  
- 300 KG

<b>02.06.0350</b>	<b>160 CM</b>
<b>02.06.0351</b>	<b>180 CM</b>



CALF PULLER "VINK A800 BAYERN"  
180 CM - 500 KG

<b>02.06.0355</b>
-------------------



CALF PULLER "PAK"

<b>02.06.0320</b>
-------------------



CALF PULLER "MU" 180 CM - 300 KG

<b>02.06.0371</b>
-------------------



SPARE PAIR OF CORDS FOR CALF  
PULLER "VINK"

<b>02.06.0353</b>
-------------------



SPARE PAIR OF CORDS FOR CALF  
PULLER "VINK A800 BAYERN" - RED  
AND BLUE

<b>02.06.0358</b>
-------------------



CALVING CORD FLAT WEBBING

<b>02.06.0430</b>	<b>125 CM</b>
<b>02.06.0433</b>	<b>190 CM</b>



PAIR OF UNIVERSAL CALVING  
CORDS FOR CALF PULLER IN NYLON

<b>02.06.0455</b>	<b>66 CM</b>	<b>Ø 12 MM</b>
<b>02.06.0462</b>	<b>43 CM</b>	<b>Ø 12 MM</b>



PAIR OF CALVING CORDS WITH  
RINGS FOR CALF PULLER IN COTTON  
55 CM - Ø 12 MM

<b>02.06.0460</b>
-------------------



CALVING CORD SOFT QUALITY FLAT  
WEBBING 130 CM

<b>02.06.0450</b>
-------------------



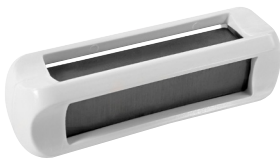
METAL MAGNET INTRODUCER -  
HEAD 35 MM

**02.07.0011**



METAL INTRODUCER FOR 35 MM  
BOLUS AND MAGNETS - 70 CM  
WITH GREEN HANDLE

**02.07.0013**



RUMINAL MAGNET - STRONG - IN  
PLASTIC CAGE 35 X 100 MM

<b>02.07.0004</b>	<b>GREEN (X1)</b>
<b>02.07.0006</b>	<b>WHITE (X10)</b>



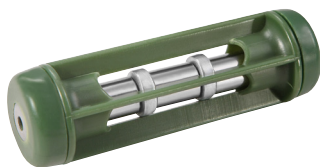
RUMINAL MAGNET IN GREEN  
PLASTIC CAGE 35 MM

<b>02.07.0009 - BOX OF 10</b>
<b>02.07.0010</b>



RUMINAL MAGNET ROUND SHAPE  
IN PLASTIC CAGE 100 X 35 MM

**02.07.0232**



RUMINAL MAGNET "METALNEO" IN  
PLASTIC CASE 85 X 20 MM

**02.07.0221**



RUMINAL MAGNET ROUND SHAPE  
WITHOUT CAGE 80 X 20 MM

**02.07.0231**



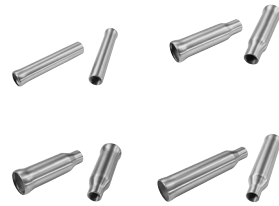
RUMINAL MAGNET WITHOUT CAGE  
60 X 20 MM (BOX OF 12)

**02.07.0235**



BOLUS APPLICATOR -SS- WITH HANDLE 50 CM - THREE HEADS SET Ø 18-21-26 MM

<b>02.07.0033</b>	<b>PLASTIC HANDLE</b>
<b>02.07.0034</b>	<b>METAL HANDLE</b>



SPARE HEAD FOR BOLUS APPLICATOR

<b>02.07.0040</b>	<b>Ø15 X 75 MM</b>
<b>02.07.0041</b>	<b>Ø 21 X 75 MM</b>
<b>02.07.0042</b>	<b>Ø26 X 75 MM</b>
<b>02.07.0043</b>	<b>Ø26 X 110 MM</b>
<b>02.07.0044</b>	<b>Ø35 X 110 MM</b>



METAL BOLUS APPLICATOR WITH GREEN HANDLE - HEAD Ø 35 MM

**02.07.0030**



BOLUS APPLICATOR -SS- WITH PLASTIC HANDLE AND TEFLON ROD 50 CM - HEAD Ø 26 MM

**02.07.0035**



BOLUS APPLICATOR -SS- WITH PLASTIC HANDLE AND TEFLON ROD 35 CM - HEAD Ø 21 MM

**02.07.0036**



PLASTIC BOLUS APPLICATOR WITHOUT HANDLE 30 CM - HEAD Ø 17 X 40 MM

**02.07.0025**



PLASTIC BOLUS APPLICATOR WITHOUT HANDLE 38 CM - HEAD Ø 26 X 80 MM

**02.07.0026**



TROCAR WITH METAL HANDLE (SS)

<b>02.07.0051</b>	<b>12 CM</b>
<b>02.07.0053</b>	<b>15 CM</b>
<b>02.07.0054</b>	<b>9 CM</b>



PIGLETS REBREATHING

**02.07.0110**



CUTIMETER SKIN TESTER WITH  
"WATCH" SCREEN

**02.08.0080**



CALF REBREATHING "BRON" MODEL

**02.07.0105**



SPARE SILICONE COVER FOR  
"BRON" CALF REBREATHING

**02.07.0107**







03



# LIVESTOCK EQUIPMENT





BULL HOLDER HARMS MODEL (SS) 19  
CM - 7,5"

**03.01.0002**



BULL HOLDER WITH SPRING (SS) 13  
CM - 5"

**03.01.0005**



BULL HOLDER LOCKING HOOK &  
CHAIN (SS) 20 CM - 8"

**03.01.0008**



BULL HOLDER LONG HANDLE 47  
CM - 19"

**03.01.0006**



STANDARD BULL NOSE RING (SS)

<b>03.01.0069</b>	<b>5 CM</b>	<b>2"</b>
<b>03.01.0071</b>	<b>7 CM</b>	<b>3"</b>
<b>03.01.0072</b>	<b>6 CM</b>	<b>2,5"</b>



BULL NOSE RING APPLICATOR

**03.01.0085**



COW LIFTING FRAME "MU IABER"  
1000 KG

**03.01.0412**



PLASTIC SORTING PANEL FOR PIGS - RED

<b>03.01.0155</b>	<b>94 X 76 CM</b>
<b>03.01.0156</b>	<b>120 X 76 CM</b>



PLASTIC SORTING PANEL FOR PIGS - SUPERIOR QUALITY - GREEN  
80 X 92 CM

<b>03.01.0157</b>
-------------------



FLAP FOR PIGS

<b>03.01.0144</b>
-------------------



LONG PADDLE FOR PIGS

<b>03.01.0145</b>
-------------------



PIG HOLDER WITH LONG METAL HANDLE AND LOCK 60 CM - 24"

<b>03.01.0100</b>
-------------------



PIG HOLDER -SMALL- WITH HANDLE

<b>03.01.0103</b>
-------------------



PIG HOLDER -SMALL- WITH PLASTIC HANDLE

<b>03.01.0113</b>
-------------------



ELECTRIC PROD VOICED WITH BUTTON ("C" TYPE BATTERY - NOT INCLUDED)

<b>03.01.0210</b>	<b>50 CM</b>	<b>20"</b>
<b>03.01.0220</b>	<b>70 CM</b>	<b>28"</b>
<b>03.01.0230</b>	<b>90 CM</b>	<b>35"</b>
<b>03.01.0240</b>	<b>120 CM</b>	<b>47"</b>



ELECTRIC PROD IABER WITH REMOVABLE AND RECHARGEABLE BATTERY 96 CM - FLEXIBLE SHAFT 71 CM (MICRO-USB CABLE NOT INCLUDED)

**03.01.0318**

RECHARGEABLE BATTERY FOR IABER ELECTRIC PROD

**03.01.0320**



ELECTRIC PROD "A380" WITH BUTTON AND RECHARGEABLE BATTERY 2200 MAH - FLEXIBLE SHAFT 62 CM

**03.01.0375**



ELECTRIC PROD WITH REMOVABLE AND RECHARGEABLE BATTERY (CABLE INCLUDED)

<b>03.01.0322</b>	<b>58 CM</b>
<b>03.01.0323</b>	<b>71 CM</b>



FLEXIBLE SHAFT FOR ELECTRIC PROD "A380"

<b>03.01.0380</b>	<b>62 CM</b>
<b>03.01.0381</b>	<b>78 CM</b>



SPARE REACHARGEABLE BATTERY FOR ELECTRIC PROD "A380" 2200 MAH

**03.01.0385**



FLEXIBLE SHAFT FOR ELECTRIC PROD

<b>03.01.0342</b>	<b>58 CM</b>
<b>03.01.0343</b>	<b>71 CM</b>



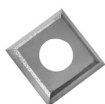
RECHARGEABLE BATTERY FOR ELECTRIC PROD (0322/3)

**03.01.0351**



HOOF CUTTING DISC  
PROFESSIONAL "IABER" 6 BLADES 3  
MM (4 SIDES) Ø 115 MM - 4,5"

<b>03.02.0232</b>	<b>3 MM BLADES</b>
<b>03.02.0233</b>	<b>2 MM BLADES</b>



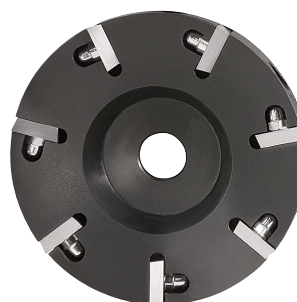
SPARE BLADE FOR  
HOOF CUTTING DISC  
PROFESSIONAL "IABER"  
6 BLADES

<b>03.02.0247</b>	<b>3 MM</b>
<b>03.02.0248</b>	<b>2 MM</b>



SPARE SCREW FOR  
HOOF CUTTING DISC  
PROFESSIONAL "IABER"  
6 BLADES

**03.02.0254**



HOOF CUTTING DISC "IABER DL" 7  
BLADES (2 SIDES) Ø 100 MM - 4"

**02.01.0238**



SPARE BLADES AND SCREWS FOR  
HOOF CUTTING DISC "IABER DL"  
(2 SIDES) (7)

**03.02.0249**



HOOF CUTTING DISC "3CUT" 3  
BLADES (2 SIDES) Ø 120 MM - 4,7"

**03.02.0243**



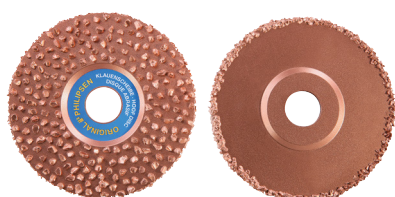
HOOF CUTTING DISC "6CUT" 6  
BLADES (2 SIDES) Ø 120 MM - 4,7"

**03.02.0244**



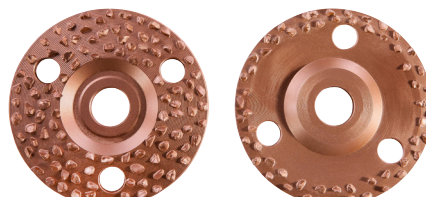
SPARE BLADES AND SCREWS FOR  
HOOF CUTTING DISC "3CUT" (2  
SIDES) (3)

**03.02.0246**



ABRASIVE HOOF DISC "PHILIPSEN"  
DOUBLE SIDE (GRAIN 30 FRONT - 10  
REAR) Ø 115 MM - 4,5"

**03.02.0260**



ABRASIVE HOOF DISC STANDARD  
DOUBLE SIDE (COARSE GRAIN) Ø  
115 MM - 4,5"

**03.02.0268**



ABRASIVE HOOF DISC "ZEC -  
SEMIFLEX" SILICON CARBIDE (GRAIN  
16) Ø 115 MM - 4,5"

**03.02.0275**



WOODEN HOOF BLOCK (10)

**03.02.0436**



BLUE PLASTIC HOOF BLOCK - SOFT  
14 MM

**03.02.0440**



ORANGE PLASTIC HOOF BLOCK -  
HARD 14 MM

**03.02.0441**



TWO-COMPONENT GLUE FOR  
HOOF BLOCK "BLOCKBOND" 200  
ML - F-SYSTEM FITTING

**03.02.0400**



TWO-COMPONENT GLUE FOR  
HOOF BLOCK "PODOS WINTER"  
200 ML - F-SYSTEM FITTING

**03.02.0405**



TWO-COMPONENT GLUE FOR  
HOOF BLOCK "PODOS EASY LOCK"  
200 ML - F-SYSTEM FITTING

**03.02.0406**



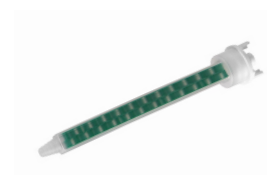
DOSING GUN FOR TWO-  
COMPONENT HOOF GLUE 200 ML  
TUBE

**03.02.0419**



MIXING TIP FOR TWO-COMPONENT  
HOOF GLUE 200 ML TUBE - THREAD  
FITTING (10)

**03.02.0412**



MIXING TIP FOR TWO-COMPONENT  
HOOF GLUE 200 ML TUBE -  
F-SYSTEM FITTING (10)

**03.02.0413**

**03.02.0414 - BLOCKBOND**



COHESIVE BANDAGE -  
10 CM X 4,5 M - VETERINARY USE

<b>03.02.0481</b>	<b>RED</b>
<b>03.02.0482</b>	<b>GREEN</b>
<b>03.02.0483</b>	<b>BLUE</b>
<b>03.02.0484</b>	<b>DARK BLUE</b>
<b>03.02.0485</b>	<b>BLACK</b>
<b>03.02.0486</b>	<b>PINK</b>
<b>03.02.0487</b>	<b>YELLOW</b>



COHESIVE BANDAGE WITH PAWS -  
5 CM X 4,5 M - VETERINARY USE

<b>03.02.0636</b>	<b>PINK</b>
<b>03.02.0639</b>	<b>BLUE</b>
<b>03.02.0640</b>	<b>YELLOW</b>



CLAW TAPE IN FABRIC "COROTEX"  
SINGLE-SIDED ADHESIVE - BLACK  
25 M X 50 MM

**03.02.0462**



CLAW TAPE IN FABRIC "CLAWTAPE"  
DOUBLE-SIDED ADHESIVE - BLACK  
25 M X 45 MM

**03.02.0464**





HOOF KNIFE "STANDARD" WIDE BLADE  
WOODEN HANDLE

<b>03.02.0001</b>	<b>RIGHT</b>
<b>03.02.0002</b>	<b>LEFT</b>
<b>03.02.0003</b>	<b>DOUBLE BLADE - RIGHT</b>
<b>03.02.0004</b>	<b>DOUBLE BLADE - LEFT</b>



HOOF KNIFE "STANDARD" NARROW  
BLADE WOODEN HANDLE

<b>03.02.0021</b>	<b>RIGHT</b>
<b>03.02.0022</b>	<b>LEFT</b>
<b>03.02.0024</b>	<b>DOUBLE BLADE - RIGHT</b>
<b>03.02.0025</b>	<b>DOUBLE BLADE - LEFT</b>



HOOF KNIFE CURVED WIDE BLADE  
LONG WOODEN HANDLE, "THE  
KNIFE" MODEL

<b>03.02.0010</b>	<b>RIGHT</b>
<b>03.02.0011</b>	<b>LEFT</b>
<b>03.02.0012</b>	<b>DOUBLE</b>



HOOF KNIFE "SUPERIOR" WIDE BLADE  
WOODEN HANDLE

<b>03.02.0031</b>	<b>RIGHT</b>
<b>03.02.0032</b>	<b>LEFT</b>
<b>03.02.0034</b>	<b>DOUBLE BLADE - RIGHT</b>



HOOF KNIFE "SUPERIOR" NARROW  
BLADE WOODEN HANDLE

<b>03.02.0030</b>	<b>RIGHT</b>
<b>03.02.0033</b>	<b>LEFT</b>



HOOF KNIFE "COLOR-PRO"  
NARROW BLADE WOODEN HANDLE

<b>03.02.0040</b>	<b>RIGHT</b>
<b>03.02.0041</b>	<b>LEFT</b>
<b>03.02.0042</b>	<b>DOUBLE BLADE - RIGHT</b>



HOOF KNIFE "AESCULAP" WIDE  
BLADE WOODEN HANDLE

<b>03.02.0026</b>	<b>RIGHT</b>
<b>03.02.0027</b>	<b>LEFT</b>
<b>03.02.0028</b>	<b>DOUBLE</b>



HOOF KNIFE "AESCULAP" NARROW  
BLADE WOODEN HANDLE

<b>03.02.0015</b>	<b>RIGHT</b>
<b>03.02.0016</b>	<b>LEFT</b>
<b>03.02.0017</b>	<b>DOUBLE</b>



HOOF KNIFE "ICAR" FIXED BLADE  
WOODEN HANDLE

<b>03.02.0035</b>	<b>RIGHT</b>
<b>03.02.0036</b>	<b>LEFT</b>



HOOF KNIFE RING BLADE  
WOODEN HANDLE

<b>03.02.0050</b>
-------------------



HOOF KNIFE LOOP WIDE  
BLADE WOODEN HANDLE

<b>03.02.0052</b>
-------------------



HOOF KNIFE LOOP NARROW  
BLADE WOODEN HANDLE

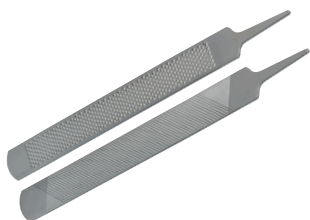
<b>03.02.0054</b>
-------------------



FOLDING HOOF KNIFE  
WOODEN HANDLE  
6 CM - 2,5"

<b>03.02.0076</b>
-------------------





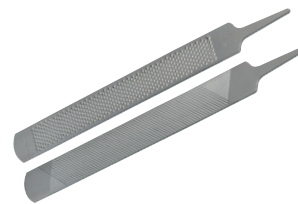
HORSE RASP (WITHOUT HANDLE)  
36 CM - 14"

**03.02.0145**



HORSE RASP WITH RED PLASTIC  
HANDLE 36 CM - 14"

**03.02.0149**



HORSE RASP TOMÉ-FÊTEIRA  
SMARTCUT (WITHOUT HANDLE)  
36 CM - 14"

**03.02.0161**



HOOF NAIL CLINCH BLACK COATED

**03.02.0181**



HOOF PLIERS BLACK COATED

**03.02.0182** 35 CM 14"

**03.02.0183** 38 CM 15"



HOOF PLIERS  
38 CM

**03.02.0118**



HOOF CUTTER "BALZAC" MODEL

**03.02.0104**



HOOF CUTTER "DICK" MODEL  
42 CM - 17"

**03.02.0100**



HOOF CHECKING PLIER STANDARD

**03.02.0103**



HOOF CHECKING PLIER SEMI-CIRCULAR

**03.02.0105**



HOOF CHECKING PLIER CIRCULAR

**03.02.0109**



HOOF PICK WITH BRUSH

**03.02.0170**



METAL HOOF GAUGE

**03.02.0099**



HOOF KNIFE BRUSH

**03.02.0201**



FOOTROT SHEARS

**03.02.0300**

**PLAIN BLADE**

**03.02.0301**

**SERRATED BLADE**



HOOF KNIFE SMALL BLADE FOR SHEEP

**03.02.0051**



CASTRATING RUBBER RINGS  
APPLICATOR

**03.03.0001**



CASTRATING RUBBER RINGS -  
ORANGE (100)

**03.03.0003**



CASTRATION FORCEPS "KAMER"  
BURDIZZO MODEL 48 CM - 19"

**03.03.0171**



CASTRATION FORCEPS SUPERIOR  
QUALITY BURDIZZO MODEL  
48 CM - 19"

**03.03.0175**



CASTRATION FORCEPS FOR LAMB  
23 CM

**03.03.0120**



VERBOCZY-WHITES EMASCULATOR

<b>03.03.0201</b>	<b>23 CM</b>	<b>9"</b>
<b>03.03.0203</b>	<b>27 CM</b>	<b>10,5"</b>



REIMERS EMASCULATOR 31 CM - 12"

**03.03.0212**



GAS TAIL DOCKER

**03.05.0245**



SPARE TIP FOR GAS TAIL DOCKER

**03.05.0255**



HOT TAIL DOCKER "ENGEL"

<b>03.05.0210</b>	<b>STANDARD</b>
<b>03.05.0211</b>	<b>WITH V-BLADE</b>



HOT TAIL DOCKER "ENGEL" WITH SUPPORT

**03.05.0217**



SPARE V BLADE FOR "ENGEL" TAIL DOCKER

**03.05 0214**



HOT TAIL DOCKER "ENGEL" WITHOUT BLADE

**03.05.0212**



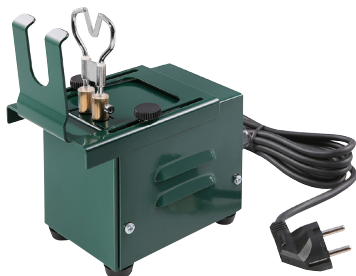
SPARE STANDARD BLADE FOR "ENGEL" TAIL DOCKER

**03.05.0215**



SPARE BLADE FOR "ENGEL" TAIL DOCKER WITH SUPPORT

**03.05.0218**



HOT TAIL DOCKER WITH TRANSFORMER

**03.05.0200**



BRACKET FOR TAIL DOCKER WITH TRANSFORMER

**03.05.0203**



NATURAL HIMALAYAN SALT LICK  
FOR ANIMALS

**13.01.0100**



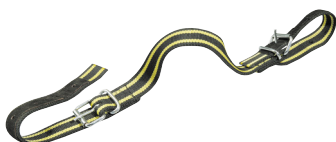
PLASTIC FEED SCOOP 37 CM - 14"

**03.05.0299**



ALUMINIUM FEED SCOOP

<b>03.05.0301</b>	<b>27 CM</b>	<b>10"</b>
<b>03.05.0302</b>	<b>32 CM</b>	<b>12"</b>
<b>03.05.0303</b>	<b>37 CM</b>	<b>14"</b>



CATTLE HOBBLE REINFORCED NYLON  
BELT

**03.05.0272**



DEHORNING WIRE SAW HANDLE (2)

**03.04.0011**



DEHORNING WIRE SAW IN PLASTIC  
BOX 12 M

**03.04.0015**



TOOTH NIPPERS FOR PIGS 13 CM -  
5"

**03.05.0001**



EQUINE DENTAL FLOAT RASP

**03.07.0110**



SPARE BLADE FOR EQUINE DENTAL  
FLOAT RASP

**03.07.0111**

SIZE: Ø 21,5x32 cm  
MAX POWER: 275 W  
VOLTAGE: 220 V  
FREQUENCY: 50 Hz  
LAMP BASE: E27



INFRARED LAMP/HEATER HOLDER  
WITH SWITCHER ON THE BASE-  
2,5 M CABLE

**03.05.1310**

SIZE: Ø 21,5x31 cm  
MAX POWER: 275 W  
VOLTAGE: 220 V  
FREQUENCY: 50 Hz  
LAMP BASE: E27



INFRARED LAMP/HEATER HOLDER  
WITH SWITCHER ON THE CABLE-  
2,5 M CABLE

**03.05.1313**



INFRARED RED LAMP REINFORCED  
GLASS (E27 CONNECTION)

<b>03.05.1268</b>	<b>220V 175W</b>
<b>03.05.1269</b>	<b>220V 250W</b>



INFRARED CERAMIC HEATER  
WITHOUT LIGHT, FLATTED SHAPED  
(E27 CONNECTION)

<b>03.05.1287</b>	<b>220V 250W</b>
<b>03.05.1293</b>	<b>220V 150W</b>

ANATOMIC SHAPE  
OUTSHELL: 210D Oxford  
LINING: fleece  
WATERPROOF: no  
CLOSURE: velcro



CALF COAT 72 CM - OUTSHELL IN  
OXFORD210 AND INNER IN PILE  
AND VELCRO CLOSURE

**03.05.1940**

ANATOMIC SHAPE  
OUTSHELL: 600D Oxford  
LINING: nylon  
WATERPROOF: yes  
CLOSURE: one plastic lock  
one metal lock



CALF COAT 72 CM - OUTSHELL IN  
OXFORD600 AND INNER IN POLYFILL  
AND PLASTIC CLOSURE

**03.05.1942**

STANDARD SHAPE  
OUTSHELL: 600D Oxford  
LINING: nylon  
WATERPROOF: no  
CLOSURE: one plastic lock



CALF COAT 74 CM - OUTSHELL  
IN OXFORD 600D AND INNER IN  
POLYFILL AND FRONTAL CLOSURE

**03.05.1950**

STANDARD SHAPE  
OUTSHELL: 420D Oxford  
LINING: nylon  
WATERPROOF: no  
CLOSURE: two plastic lock



CALF COAT 68 CM - OUTSHELL  
IN OXFORD 420 AND INNER IN  
POLYFILL AND PLASTIC CLOSURE

**03.05.1955**



SHEEP SHEAR 29 CM BLACK HANDLE - BLADE 14,5 CM

**03.06.0174**



SHEEP SHEAR RED HANDLE

**03.06.0175 - 29 CM - BLADE 14,5 CM**

**03.06.0176 - 34 CM - BLADE 16,5 CM**



MANUAL SHEAR CLIPPER (SHORT HAIR)

**03.06.0180**



ROUND METAL CURRYCOMB FINE-TOOTHED WITH PLASTIC HANDLE

**03.06.0402**



METAL CURRYCOMB 8 ROWS WITH MANE COMB AND WOODEN HANDLE

**03.06.0406**



METAL CURRYCOMB 8 ROWS WITH WOVEN HAND LOOP

**03.06.0407**



OVAL PLASTIC CURRYCOMB FINE-TOOTHED WITH ADJUSTABLE HAND LOOP

**03.06.0408**



RUBBER OVAL CURRYCOMB WITH HAND LOOP

**03.06.0409**



ALUMINIUM MANE COMB

**03.06.0416**



BRUSH FOR HORSES WITH HARD BRISTLES AND WOODEN HANDLE

**03.06.0422 - YELLOW 21,5 X 6 CM**

**03.06.0423 - BLUE 24,5 X 6 CM**



BRUSH FOR HORSES WITH HARD RED BRISTLES AND PLASTIC HANDLE - 20 X 6,5 CM

**03.06.0424**



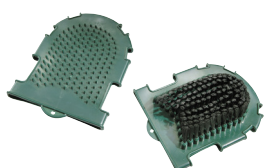
OVAL METAL CURRYCOMB WITH WOVEN HANDLE

**03.06.0431**



RUBBER GLOVE CURRYCOMB DOUBLE SIDES

**03.06.0432**



RUBBER GLOVE CURRYCOMB WITH BRUSH

**03.06.0435**



RUBBER GLOVE CURRYCOMB WITH MAGNETIC BALLS FOR MASSAGE

**03.06.0436**



PLASTIC SWEAT SCRAPER HALF-ROUNDED FOR HORSES WITH COMB

**03.06.0450**



METAL SWEAT SCRAPER HALF-ROUNDED WITH WOODEN HANDLE

**03.06.0453**

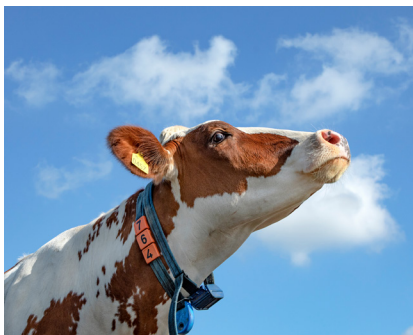




04



# MILKING AND FEEDING





PRE-MILKING LONG CUP FOR  
MASTITIS TEST BLUE - WITH BELT  
CLIPS

**04.01.0008**



PRE-MILKING CUP FOR MASTITIS TEST  
1 LT BLUE

**04.01.0001**



PRE MILKING PADDLE FOR MASTITIS  
TEST WHITE

**04.01.0002**



LIQUID FOR MASTITIS TEST CMT  
RAIDEX - PURPLE 1 L

**04.01.0075**



DOSING BOTTLE FOR CMT LIQUID  
TEST

**04.01.0070**



TEAT TUMOR EXTRACTOR "HUG  
MODEL" 16 CM

**04.01.0012**



TEAT SLITTER DOUBLE BLADE  
"DANISH MODEL" 14 CM

**04.01.0014**



UDDER CATHETER LUER LOCK (12)

**04.01.0035**

**6 CM**

**04.01.0036**

**8 CM**



DISPOSABLE WOOLEN TEAT DILATOR  
WITH OINTMENT (20)

**04.01.0021**



DISPOSABLE PLASTIC TEAT DILATOR  
(10)

**04.01.0020**

# MILKING AND FEEDING



NON-RETURN DIP CUP  
"TECNOLATTE" GREEN

**04.01.0106**



NON-RETURN DIP CUP RED  
WITH BRUSH

**04.01.0116**



FOAMER DIP CUP UPPER  
FILTER "TECNOLATTE"

**04.01.0130**



NON-RETURN DIP CUP  
"AMBIC"

**04.01.0113**



FOAMER DIP CUP "AMBIC"

**04.01.0114**



SPARE CUP "TECNOLATTE"

**04.01.0153**



UDDER CARE CREAM  
"CRYOMENTHA 36" WITH  
36% JAPANESE MINT -  
500 ML

**04.01.0502**



CALF BUCKET WITH RED RUBBER TEAT, VALVE AND BACK HOLDER - 8 L

**04.02.0001**



LAMB BUCKET 5 POSITIONS WITH RED RUBBER TEATS, VALVES AND BACK HOLDER - 8 L

**04.02.0070**



PLASTIC TEAT VALVE FOR 8 L BUCKET

**04.02.0103**



RUBBER O-RING FOR 8 L BUCKET VALVE

**04.02.0104**



BACK HOLDER FOR 8 L BUCKET

**04.02.0011**



RED RUBBER TEAT FOR 8 L LAMB BUCKET (6)

**04.02.0170**



LATEX TEAT FOR 8 L LAMB BUCKET (6)

**04.02.0171**



SILICONE TEAT FOR 8 L LAMB BUCKET (6)

**04.02.0172**



RED RUBBER TEAT FOR 8 L CALF BUCKET - 10 CM

**04.02.0107**



LATEX TEAT FOR 8 L CALF BUCKET - 10 CM

**04.02.0109**



CALF BUCKET HANGING MODEL WITHOUT VALVE WITH BLACK FLAT TIP TEAT - 4 L

**04.02.0016**



CALF BUCKET HANGING MODEL WITHOUT VALVE WITH BLACK POINTY TIP TEAT - 3 L

**04.02.0018**



BLACK FLAT TIP RUBBER TEAT FOR CALF BUCKET WITHOUT VALVE

**04.02.0116**



BLACK FLAT TIP RUBBER TEAT FOR CALF BUCKET WITHOUT VALVE - SOFT

**04.02.0118**



BLACK POINTY TIP RUBBER TEAT FOR CALF BUCKET WITHOUT VALVE (Ø 26,5 MM)

**04.02.0122**



MULTIPLE CALF BUCKET (UP TO 5 CALVES) WITHOUT VALVES WITH BLACK POINTY TIP TEATS

**04.02.0026**



MULTIPLE CALF BUCKET (UP TO 3 CALVES) WITHOUT VALVES WITH BLACK POINTY TIP TEATS

**04.02.0025**



BLACK FLAT TIP RUBBER TEAT FOR CALF BUCKET WITHOUT VALVE

**04.02.0116**



BLACK FLAT TIP RUBBER TEAT FOR CALF BUCKET WITHOUT VALVE - SOFT

**04.02.0118**



BLACK POINTY TIP RUBBER TEAT FOR CALF BUCKET WITHOUT VALVE (Ø 26,5 MM)

**04.02.0122**





FEEDING BOTTLE FOR CALF WITH  
LARGE BOTTLE OPENING WITH  
VALVE AND BLACK POINTY TIP TEAT

<b>04.02.0197</b>	<b>2,5 L</b>
<b>04.02.0198</b>	<b>4 L</b>



FEEDING BOTTLE FOR CALF WITH  
LARGE BOTTLE OPENING WITH  
VALVE AND PLASTIC FEEDING  
CANNULA

<b>04.02.0385</b>	<b>2,5 L</b>
<b>04.02.0386</b>	<b>4 L</b>



BLACK POINTY TIP RUBBER TEAT  
FOR CALF BUCKET WITHOUT  
VALVE (Ø 26,5 MM)

**04.02.0122**



SPARE PLASTIC FEEDING  
CANNULA FOR FEEDING  
BOTTLE FOR CALF WITH LARGE  
BOTTLE OPENING

**04.02.0397**



SPARE PLASTIC FEEDING  
CANNULA WITH COVER FOR  
FEEDING BOTTLE FOR CALF  
WITH LARGE BOTTLE OPENING

**04.02.0396**



PLASTIC TOP WITH JOINT FOR  
TEAT AND FEEDING CANNULA  
FOR FEEDING BOTTLE FOR CALF  
WITH LARGE BOTTLE OPENING

**04.02.0398**



FEEDING BOTTLE FOR CALF WITH  
SMALL BOTTLE OPENING 2,5 L WITH  
VALVE AND RED RUBBER TEAT

**04.02.0350**



FEEDING BOTTLE FOR CALF WITH  
SMALL BOTTLE OPENING 2,5 L  
WITH VALVE AND PLASTIC FEEDING  
CANNULA

**04.02.0352**



SPARE TEAT AND PLASTIC RING  
CONNECTION FOR FEEDING BOTTLE  
FOR CALF WITH SMALL BOTTLE  
OPENING

**04.02.0357**



SPARE PLASTIC FEEDING CANNULA  
FOR FEEDING BOTTLE FOR CALF  
WITH SMALL BOTTLE OPENING

**04.02.0355**



FEEDING BOTTLE FOR CALF WITH BACK HANDLE 4 L WITH METAL TUBE (HARD) AND PLASTIC TUBE (SOFT)

**04.02.0382**



PLASTIC FEEDING TUBE AND RING CONNECTION FOR FEEDING BOTTLE WITH BACK HANDLE

**04.02.0392**



PLASTIC FEEDING TUBE WITH PLASTIC CANNULA AND RING CONNECTION FOR FEEDING BOTTLE WITH BACK HANDLE

**04.02.0393**



FEEDING BOTTLE FOR CALF 2,5 L WITH RED HANDLE

**04.02.0207**



FEEDING BOTTLE 2 L FOR INTERLOCKED TEAT (WITHOUT TEAT)

**04.02.0201**



PLASTIC RING FOR 2,5 L FEEDING BOTTLE RED HANDLE

**04.02.0221**



BLACK RUBBER TEAT FOR 2,5 L FEEDING BOTTLE RED HANDLE

**04.02.0222**



INTERLOCKED TEAT FOR FEEDING BOTTLE (WITHOUT RING)

**04.02.0211**



FEEDING BOTTLE FOR LAMB 1 L

**04.02.0206**



FEEDING BOTTLE FOR LAMB WITH  
RED TEAT 500 ML

**04.02.0173**



RED RUBBER TEAT FOR 8 L  
LAMB BUCKET (6)

**04.02.0170**



LATEX TEAT FOR 8 L LAMB  
BUCKET (6)

**04.02.0171**



RED TEAT FOR FEEDING  
BOTTLE FOR LAMB 500 ML

**04.02.0216**



FIXING RING FOR  
FEEDING BOTTLE FOR  
LAMB 500 ML

**04.02.0218**



FEEDING BOTTLE FOR LAMB WITH  
LATEX TEAT 450 ML

**04.02.0174**



LATEX TEAT FOR FEEDING  
BOTTLE FOR LAMB 450 ML

**04.02.0235**



FIXING RING FOR  
FEEDING BOTTLE FOR  
LAMB 450 ML

**04.02.0236**



TEAT FOR SMALL SHEEP AND GOATS  
WITH SCREW ADAPTER FOR PET  
BOTTLE (5)

**04.02.0228**





ALUMINIUM BAG FOR COLOSTRUM  
4 L - FREEZING, HEATING AND  
ADMINISTRATION (5)

**04.02.0412**



TEAT FOR ALUMINIUM  
BAG FOR COLOSTRUM  
4 L (WITH JOINT)

**04.02.0415**



FEEDING TUBE FOR  
ALUMINIUM BAG FOR  
COLOSTRUM 4 L

**04.02.0416**



FILLING SUPPORT FOR  
ALUMINIUM BAG FOR  
COLOSTRUM 4 L

**04.02.0420**



PROTECTION FOR  
ALUMINIUM BAG FOR  
COLOSTRUM 4 L

**04.02.0414**



PORTABLE OPTICAL  
REFRACTOMETER BRIX SCALE  
(0-32%) FOR COLOSTRUM

**04.02.0523**



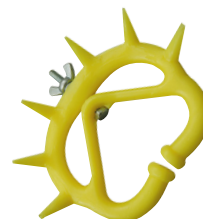
PORTABLE DIGITAL  
REFRACTOMETER BRIX SCALE  
(0-50%) FOR COLOSTRUM

**04.02.0551**



REUSABLE BAG WITH FLEXIBLE  
TUBE FOR COLOSTRUM 2,5 L

**04.02.0481**



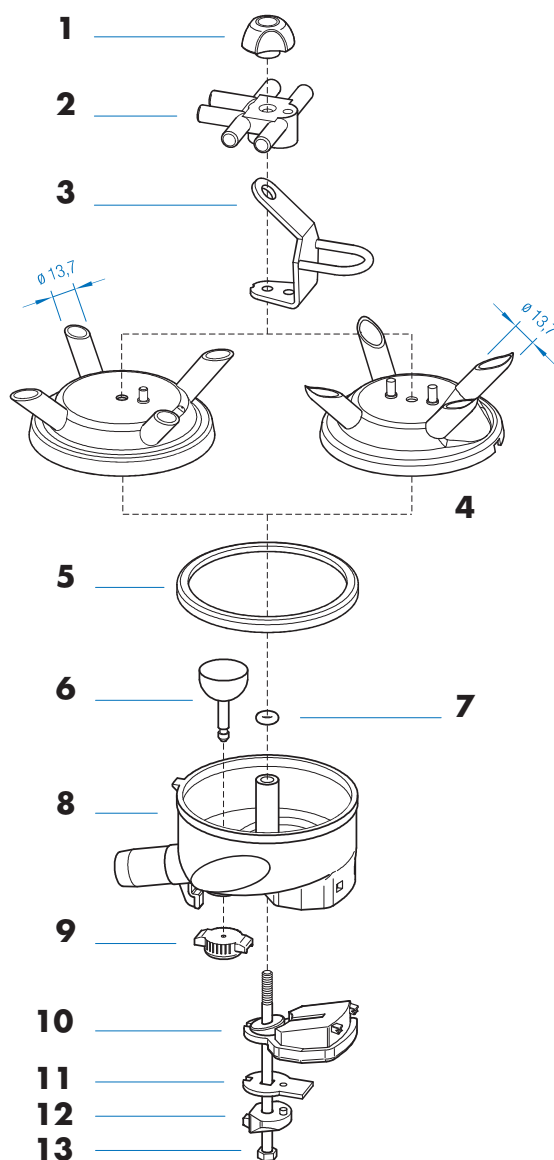
PLASTIC ADJUSTABLE CALF  
WEANER WITH SPIKES -  
YELLOW

**04.03.0004**



MILKING CLAW IN POLYSULFONE AND  
STEEL 300CC WITH VALVE

**04.04.0356**

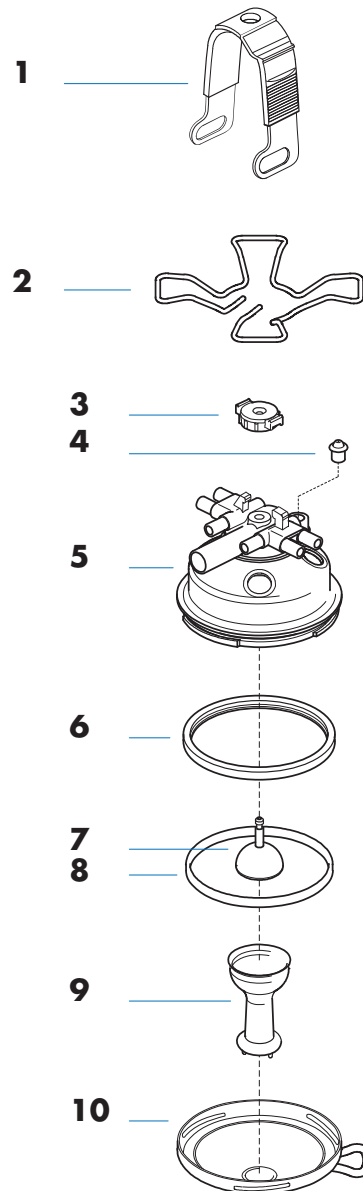


1	04.04.3371	SPARE SCREW FOR CLAW 300 CC
2	04.04.3373	SPARE AIR DRIVER FOR CLAW 300 CC
3	04.04.3372	SPARE METAL HOOK FOR CLAW 300 CC
4	04.04.3374	SPARE STEEL UPPER BOWL FOR CLAW 300 CC
5	04.04.3377	SPARE GASKET FOR CLAW 300 CC
6	04.04.3375	SPARE VALVE WITH LINCHPIN FOR CLAW 300 CC
7	04.04.3384	SPARE O-RING FOR CLAW 300 CC
8	04.04.3378	SPARE POLYSULFONE LOWER BOWL FOR CLAW 300 CC WITH VALVE
8	04.04.3386	SPARE LOWER BOWL IN DARK PSU FOR CLAW 300 CC WITHOUT VALVE
8	04.04.3388	SPARE LOWER BOWL IN DARK PSU FOR CLAW 300 CC WITH VALVE
9	04.04.3379	SHUT OFF VALVE DISK FOR CLAW 300 CC
10	04.04.3380	SPARE BUMPER FOR CLAW 300 CC
11	04.04.3381	SPARE METAL INTERMEDIATE LATCH FOR CLAW 300 CC
12	04.04.3382	SPARE BUMPER SUPPORT FOR CLAW 300 CC
13	04.04.3383	SPARE SCREW AND POLE FOR CLAW 300 CC



MILKING CLAW "HARMONY" IN  
POLYSULPHONE AND STEEL 360CC

**04.04.0357**

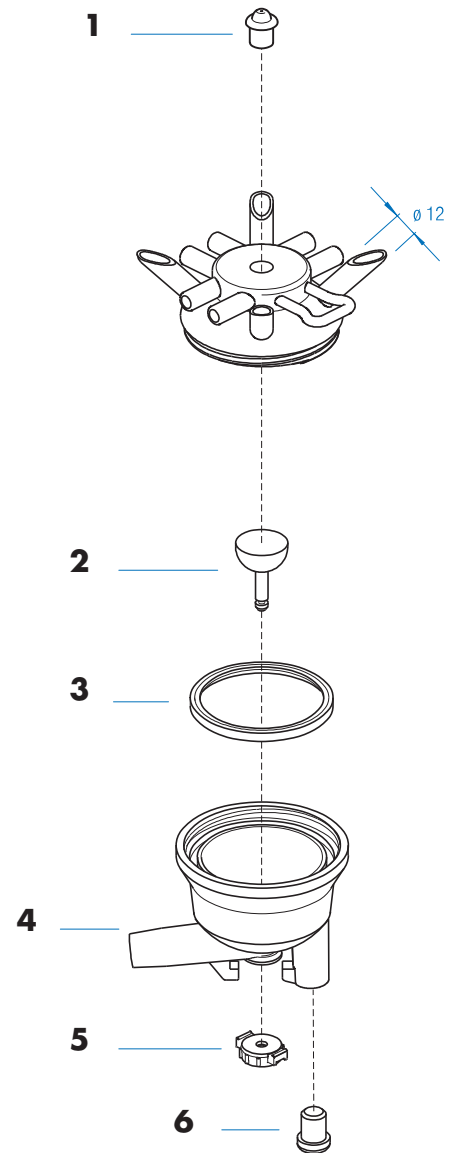


<b>1</b>	<b>04.04.3401</b>	SPARE SUPPORT FITTING FOR HARMONY CLAW 360 CC
<b>2</b>	<b>04.04.3400</b>	SPARE MEMBRANE HOLDER FOR HARMONY CLAW 360 CC
<b>3</b>	<b>04.04.3403</b>	SPARE SHUT OFF VALVE DISK FOR CLAW "HARMONY 360 CC" AND "ALFA 150 CC" (7 PCS)
<b>4</b>	<b>04.04.3404</b>	SPARE AIR DRIVER CUP FOR CLAW "HARMONY 360 CC" AND "ALFA 150 CC"
<b>5</b>	<b>04.04.3405</b>	SPARE UPPER BOWL IN POLYSULPHONE FOR HARMONY CLAW 360 CC
<b>6</b>	<b>04.04.3406</b>	SPARE OUTER GASKET FOR HARMONY CLAW 360 CC
<b>7</b>	<b>04.04.3407</b>	SPARE VALVE WITH LINCHPIN FOR CLAW "HARMONY 360 CC" AND "ALFA 150 CC"
<b>8</b>	<b>04.04.3408</b>	SPARE INNER GASKET FOR HARMONY CLAW 360 CC
<b>9</b>	<b>04.04.3409</b>	SPARE INNER TUBE IN POLYSULFONE FOR HARMONY CLAW 360 CC
<b>10</b>	<b>04.04.3402</b>	SPARE STEEL LOWER BOWL FOR HARMONY CLAW 360 CC



MILKING CLAW IN POLIYSULFONE AND STEEL 150 CC WITH VALVE

**04.04.0365**



**AVAILABLE SPARE PARTS**

<b>1</b>	<b>04.04.3404</b>	SPARE AIR DRIVER CUP FOR CLAW "HARMONY 360 CC" AND "ALFA 150 CC"
<b>2</b>	<b>04.04.3407</b>	SPARE VALVE WITH LINCHPIN FOR CLAW "HARMONY 360 CC" AND "ALFA 150 CC"
<b>3</b>	<b>04.04.3485</b>	SPARE GASKET FOR ALFA CLAW 150 CC
<b>4</b>	<b>04.04.3480</b>	SPARE UPPER BOWL IN POLYSULPHONE FOR ALFA CLAW 150 CC
<b>5</b>	<b>04.04.3403</b>	SPARE SHUT OFF VALVE DISK FOR CLAW "HARMONY 360 CC" AND "ALFA 150 CC" (7 PCS)
<b>6</b>	<b>04.04.3479</b>	SPARE RUBBER TAP FOR ALFA CLAW 150 CC



MILK FILTER SOCK SEWN -  
TECNOLATTE PREMIUM

<b>04.04.1031</b>	<b>60 X 320 MM</b>	<b>200 PCS</b>
<b>04.04.1033</b>	<b>60 X 620 MM</b>	<b>200 PCS</b>
<b>04.04.1051</b>	<b>60 X 320 MM</b>	<b>100 PCS</b>
<b>04.04.1053</b>	<b>60 X 620 MM</b>	<b>100 PCS</b>
<b>04.04.1056</b>	<b>60 X 450 MM</b>	<b>100 PCS</b>



QUARTER MILKER

**04.04.1930**



OILER FOR VACUUM PUMP

**04.04.5820**



UNIVERSAL OILER FOR GPV 1500 -  
GPV 500/700/1000

<b>04.04.5822</b>	<b>GPV 1500</b>
<b>04.04.5823</b>	<b>GPV 500/700/1000</b>



PNEUMATIC PULSATOR TECNOLATTE  
P180 2 EXIT 60/40 GREEN METAL  
COVER - SUPERIOR QUALITY

**04.04.0516**



PNEUMATIC PULSATOR TECNOLATTE  
P380 2 EXIT 60/40 RED METAL  
COVER

**04.04.0525**



DIAPHRAGM FOR PULSATOR  
TECNOLATTE (10) - ALSO ADAPTABLE  
L80

<b>04.04.0542</b>	<b>BIG</b>
<b>04.04.0543</b>	<b>SMALL</b>



PLASTIC PRESSURE SPRAYER  
WITH QUICK COUPLING AND  
REGULATION

**04.04.2580**



METAL PRESSURE SPRAYER  
WITH QUICK COUPLING AND  
REGULATION

**04.04.2581**



METAL AND PLASTIC SPRAYER  
WITH QUICK COUPLING AND  
REGULATION

**04.04.2584**



PVC "IABER" MILKING APRON

<b>04.05.0064</b>	<b>120x180 CM</b>
<b>04.05.0065</b>	<b>125x100 CM</b>



PU MILKING APRON "FARMTRAK"

<b>04.05.0081</b>	<b>109 CM</b>
<b>04.05.0082</b>	<b>122 CM</b>



PVC MILKING APRON - HEAVY

<b>04.05.0010</b>	<b>115x100 CM</b>
<b>04.05.0011</b>	<b>125x118 CM</b>



PVC MILKING APRON WITH  
FRONTAL POCKET - HEAVY

<b>04.05.0013</b>	<b>115x100 CM</b>
<b>04.05.0014</b>	<b>125x118 CM</b>



PU "IABER" MILKING APRON

<b>04.05.0041</b>	<b>120x180 CM</b>
<b>04.05.0042</b>	<b>125x100 CM</b>



WATERPROOF "FARMTRAK" PU  
LONG SLEEVES JACKET - BLUE

<b>04.05.0122</b>	<b>L</b>
<b>04.05.0123</b>	<b>XL</b>



WATERPROOF "FARMTRAK" PU  
LONG SLEEVES JACKET - GREEN

<b>04.05.0132</b>	<b>L</b>
<b>04.05.0133</b>	<b>XL</b>



WATERPROOF "FARMTRAK" PU  
SHORT SLEEVES JACKET- BLUE

<b>04.05.0142</b>	<b>L</b>
<b>04.05.0143</b>	<b>XL</b>



WATERPROOF "FARMTRAK" PU TROUSERS - GREEN

<b>04.05.0162</b>	<b>L</b>
<b>04.05.0163</b>	<b>XL</b>



WATERPROOF "FARMTRAK" PU TROUSERS- BLUE

<b>04.05.0172</b>	<b>L</b>
<b>04.05.0173</b>	<b>XL</b>



DISPOSABLE MILKING PROTECTIVE PE SLEEVE (100 PCS)

<b>04.05.0512</b>
-------------------



MILKING PROTECTIVE SLEEVE IN OXFORD POLYESTER (PAIR)

<b>04.05.0513</b>
-------------------



MILKING PROTECTIVE SLEEVEE SOFTSHELL (PAIR)

<b>04.05.0520</b>
-------------------



"IABER" MILKING PROTECTIVE SLEEVE IN PVC/PU

<b>04.05.0522</b>
-------------------

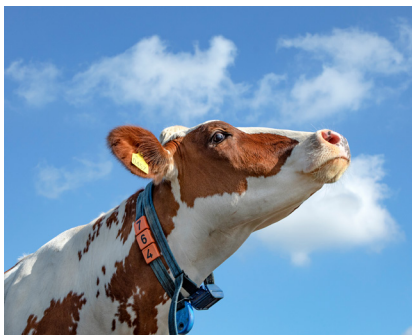




05



# WEIGHTING AND MEASURING





DIAL MECHANICAL METAL BODY  
HANGING SCALE

<b>05.01.1033</b>	<b>25 KG (± 0,1 KG)</b>
<b>05.01.1034</b>	<b>50 KG (± 0,2 KG)</b>
<b>05.01.1035</b>	<b>100 KG (± 0,5 KG)</b>
<b>05.01.1037</b>	<b>200 KG (± 1 KG)</b>



DIAL MECHANICAL METAL BODY  
HANGING SCALE "SALTER"

<b>05.01.1051</b>	<b>5 KG (± 0,1 KG)</b>
<b>05.01.1052</b>	<b>10 KG (± 0,2 KG)</b>



DIGITAL HANGING SCALE  
"ELECTROSAMOSON SALTER" 25 KG  
(± 0,02 KG)

<b>05.01.1302</b>
-------------------



DIGITAL HANGING SCALE  
BACKLIGHT

<b>05.01.1231</b>	<b>50 KG (± 0,01 KG)</b>
-------------------	--------------------------



DIGITAL HANGING SCALE  
BACKLIGHT

<b>05.01.1251</b>	<b>200 KG (± 0,01 KG)</b>
<b>05.01.1272</b>	<b>300 KG (± 0,01 KG)</b>



CALF WEIGHING HARNESS FOR  
HANGING SCALE (UP TO 80 KG)

<b>05.01.1295</b>
-------------------



COPPER HANGING SCALE

<b>05.01.1103</b>	<b>50 KG (± 1 KG)</b>
<b>05.01.1104</b>	<b>100 KG (± 2 KG)</b>



POCKET DIGITAL SCALE  
200 G (± 1 G)

<b>05.01.1333</b>
-------------------



DIGITAL PROBE FOOD  
THERMOMETER (FROM -50 °C TO  
+300 °C)

<b>05.01.2011</b>
-------------------



MILK THERMOMETER WITH PLASTIC  
PROTECTION (FROM -10 °C  
TO +110 °C)

<b>05.01.2013</b>
-------------------



RAIN GAUGE 30 CM RIGID PLASTIC  
WITH TIP - 120 ML

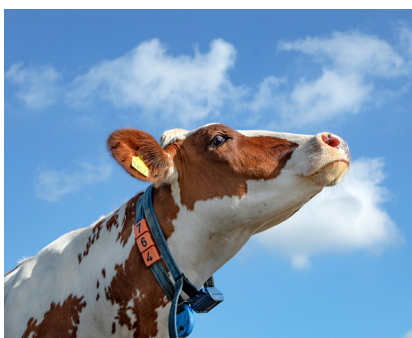
<b>05.01.3012</b>
-------------------



06



# ARTIFICIAL INSEMINATION





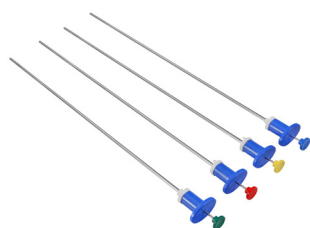
UNIVERSAL SHEATH "BOVIGAINÉ"  
FOR BOVINE ARTIFICIAL  
INSEMINATION - SPLIT (50)

**06.01.0008**



UNIVERSAL SHEATH "BOVIGAINÉ"  
FOR BOVINE ARTIFICIAL  
INSEMINATION - UNSPLIT (50)

**06.01.0037**



UNIVERSAL GUN "QUICKLOCK" FOR  
BOVINE ARTIFICIAL INSEMINATION

<b>06.01.0027</b>	<b>WHITE</b>
<b>06.01.0078</b>	<b>BLUE</b>
<b>06.01.0079</b>	<b>YELLOW</b>
<b>06.01.0080</b>	<b>RED</b>
<b>06.01.0081</b>	<b>GREEN</b>



UNIVERSAL GUN "QUICKLOCK  
ERGO" LONG MODEL

**06.01.0026**



HEATHER FOR A.I. GUN "QUICKLOCK  
HEATER 4.0"

**06.01.0095**



ARTIFICIAL INSEMINATION SLEEVE  
"CRYOFARM" (80 PCS)

**06.02.0017**



CLEAR MEDIUM STRAW "MINITUBE"  
0,50 ML (2500)

**06.01.0375**



CLEAR MINISTRAW - "MINITUBE"  
0,25 (2000)

**06.01.0350**



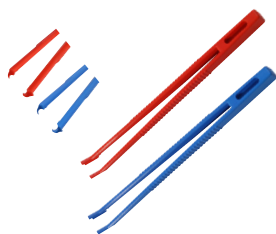
SEMEN THAW "CITO" 12-220 V

**06.01.0735**



LIQUID CRYSTAL THERMOMETER "CRYOFARM"

**06.01.0703**



AI PLASTIC TWEEZERS

<b>06.01.0420</b>	<b>0,25 ML</b>
<b>06.01.0421</b>	<b>0,5 ML</b>



CORD FOR 12V CITO THAW (LIGHTER PLUG)

**06.01.0737**



POWER SUPPLY 220/12 V CITO THAW

**06.01.0738**



PLASTIC STRAW CUTTER

**06.01.0404**



STRAW CUTTER "MINICUTTER"

**06.01.0405**



STRAW CUTTER "CITO"

**06.01.0406**



ALLIS FORCEPS 25 CM - 10"

**06.03.0011**



SWINE SEMEN COLLECTION FILTER Ø 24 CM (200)

**06.07.0506**



INSEMINATION GEL "RAIDEX" 1 L

**06.04.5002**



"RAIDEX" GEL FOR ULTRASOUND  
SCAN AND RECTAL AND VAGINAL  
EXAMINATION - 1 L

**06.04.5005**



HEAT DETECTION PATCH  
"BOVIFLAG" - (50)

<b>06.01.0552</b>	<b>RED</b>
<b>06.01.0553</b>	<b>YELLOW</b>
<b>06.01.0554</b>	<b>GREEN</b>
<b>06.01.0555</b>	<b>PURPLE</b>
<b>06.01.0556</b>	<b>BLUE</b>



MARKING CRAYON IN  
CARTON STICK FOR HEAT  
DETECTION 57 G (10)

<b>06.01.0511</b>	<b>RED</b>
<b>06.01.0512</b>	<b>GREEN</b>
<b>06.01.0513</b>	<b>BLUE</b>
<b>06.01.0516</b>	<b>ORANGE</b>



TAIL PAINT FOR HEAT  
DETECTION "BOVIPAINT"

<b>06.01.0542</b>	<b>RED</b>
<b>06.01.0543</b>	<b>YELLOW</b>
<b>06.01.0544</b>	<b>GREEN</b>



WAX BLOCK FOR MATING  
IDENTIFICATION HERNESS

<b>06.03.0510</b>	<b>RED</b>
<b>06.03.0511</b>	<b>BLUE</b>
<b>06.03.0512</b>	<b>GREEN</b>
<b>06.03.0513</b>	<b>YELLOW</b>
<b>06.03.0514</b>	<b>ORANGE</b>
<b>06.03.0515</b>	<b>BLACK</b>



MATING IDENTIFCAZION  
HARNES FOR EWES AND  
SWINES (WITHOUR WAX  
BLOCK)

**06.03.0501**



VAGINAL SPECULUM 20 CM

**06.03.0012**





DISPOSABLE ARM LENGTH GLOVES  
"ORANGE SOFTGLOVE" (100)

**06.04.0100**



DISPOSABLE ARM LENGTH GLOVES  
"NECK" (50)

**06.04.0102**



DISPOSABLE ARM LENGTH GLOVES  
"GLOVEMAX" 90 CM (100)

**06.04.1117**



DISPOSABLE ARM LENGTH GLOVES  
"GLOVELAST" 90 CM WITH ELASTIC  
BAND (50)

**06.04.0203**



DISPOSABLE ARM LENGTH GLOVES  
"GLOVETOP" 120 CM WITH  
SHOULDER PROTECTION (50)

**06.04.0202**



DISPOSABLE ARM LENGTH GLOVES  
"GLOVEBAND" 90 CM WITH FIXING  
BAND (100)

**06.04.0204**



DISPOSABLE ARM LENGTH GLOVES  
"EURONECK" 120 CM WITH  
SHOULDER PROTECTION (100)

**06.04.0205**



NITRILE GLOVES "IABER" 3 MIL (100)

<b>06.04.1201</b>	<b>S</b>
<b>06.04.1202</b>	<b>M</b>
<b>06.04.1203</b>	<b>L</b>
<b>06.04.1204</b>	<b>XL</b>



NITRILE GLOVES "IABER" 4 MIL (100)

<b>06.04.1241</b>	<b>S</b>
<b>06.04.1242</b>	<b>M</b>
<b>06.04.1243</b>	<b>L</b>
<b>06.04.1244</b>	<b>XL</b>
<b>06.04.1245</b>	<b>XXL</b>



VINYL GLOVES "IABER" (100)

<b>06.04.1301</b>	<b>S</b>
<b>06.04.1302</b>	<b>M</b>
<b>06.04.1303</b>	<b>L</b>
<b>06.04.1304</b>	<b>XL</b>



DISPOSABLE BOOT COVER WITH ELASTIC BAND - ZOOTECHNICAL USE

<b>06.04.1504</b>	<b>10</b>
<b>06.04.1505</b>	<b>50</b>



DISPOSABLE BOOT COVER WITH LACE TO TIDE - ZOOTECHNICAL USE (50)

<b>06.04.1508</b>
-------------------



DISPOSABLE POLYETHYLENE OVER COAT WITH LACE TO TIDE AND LONG SLEEVES - ZOOTECHNICAL USE

<b>06.04.1520</b>	<b>1</b>
<b>06.04.1530</b>	<b>10</b>



DISPOSABLE OVER COAT FULL-BODY 135 CM WITH LONG SLEEVES - ZOOTECHNICAL USE (20)

<b>06.04.1535</b>
-------------------

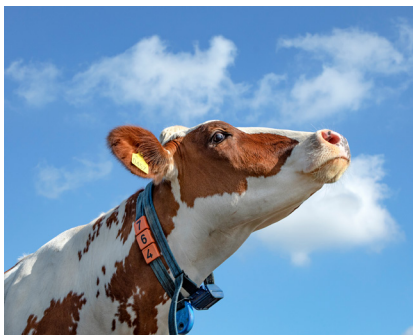




07



# DRINKING SYSTEM





BITE NIPPLE DRINKER FOR PIGLETS SS  
(WITH RED FILTER) - 5,5 CM x 1/2"  
(5)

<b>07.01.0241</b>	<b>SS 201</b>
<b>07.01.0291</b>	<b>SS 302</b>



BITE NIPPLE DRINKER FOR PIGS SS  
(WITH RED FILTER) - 6,5 CM x 1/2"  
(5)

<b>07.01.0243</b>	<b>SS 201</b>
<b>07.01.0293</b>	<b>SS 302</b>



BITE NIPPLE DRINKER FOR SOWS SS  
(WITH RED FILTER) - 8,5 CM x 1/2"  
(5)

<b>07.01.0245</b>	<b>SS 201</b>
<b>07.01.0295</b>	<b>SS 302</b>



NIPPLE DRINKER SS (WITH RED FILTER)  
- 8 MM x 1/2" (5)

<b>07.01.0272</b>	<b>SS 201</b>
<b>07.01.0302</b>	<b>SS 302</b>



SPRAY NIPPLE SS (WITH RED FILTER) -  
1/2" (5)

<b>07.01.0276</b>	<b>SS 201</b>
<b>07.01.0306</b>	<b>SS 302</b>



ANTIFREEZE HEATING CABLE WITH  
THERMOSTAT

<b>07.07.0585</b>	<b>2 M</b>
<b>07.07.0586</b>	<b>4 M</b>



PLASTIC POULTRY DRINKER

<b>07.04.0322</b>	<b>1,5 LT</b>
<b>07.04.0323</b>	<b>3 LT</b>
<b>07.04.0324</b>	<b>5 LT</b>
<b>07.04.0325</b>	<b>10 LT</b>



PLASTIC POULTRY DRINKER "ECHO" WITH HANDLE

<b>07.41.0351</b>	<b>1,5 LT</b>
<b>07.41.0352</b>	<b>3 LT</b>
<b>07.41.0353</b>	<b>6 LT</b>



PLASTIC POULTRY DRINKER "IABER AIE" WITH HANDLE

<b>07.06.0021</b>	<b>1,5 LT</b>
<b>07.06.0024</b>	<b>4 LT</b>
<b>07.06.0026</b>	<b>6 LT</b>
<b>07.06.0030</b>	<b>10 LT</b>



PLASTIC POULTRY DRINKER "ECHO" WITH HANDLE AND LEGS

<b>07.04.0361</b>	<b>1,5 LT</b>
<b>07.04.0364</b>	<b>8 LT</b>



PLASTIC POULTRY DRINKER WITH FILLING CAP, LEGS AND HANDLE

<b>07.04.0327</b>	<b>5 LT</b>
<b>07.04.0328</b>	<b>10 LT</b>
<b>07.04.0329</b>	<b>15 LT</b>



PLASTIC POULTRY DRINKER WITH CAP, HANDLE AND LEGS - 15 L

<b>07.04.0340</b>
-------------------



PLASTIC POULTRY DRINKER WITH CAP, HANDLE AND TRIPOD - 24 L

<b>07.04.0341</b>
-------------------



FLOW WATERER FOR CHICKS FOR  
PLASTIC BOTTLE

**07.04.0321**



POULTRY DRINKER BUCKET 5,5 L

**07.04.0335**



PLASTIC FEED TROUGH WITH GRID

<b>07.04.0425</b>	<b>50x7x8 CM</b>
<b>07.04.0426</b>	<b>50x15x13 CM</b>
<b>07.04.0427</b>	<b>100x15x13 CM</b>



PLASTIC POULTRY FEEDER "ECHO"  
WITH HANDLE

<b>07.04.0451</b>	<b>1,5 KG</b>
<b>07.04.0452</b>	<b>3 KG</b>
<b>07.04.0453</b>	<b>6 KG</b>



PLASTIC POULTRY FEEDER "IABER  
AIE" WITH HANDLE

<b>07.06.0071</b>	<b>1,5 KG</b>
<b>07.06.0073</b>	<b>3 KG</b>
<b>07.06.0076</b>	<b>6 KG</b>
<b>07.06.0079</b>	<b>9 KG</b>



PLASTIC POULTRY FEEDER "ECHO"  
WITH HANDLE AND LEGS - 5 KG

**07.04.0464**



PLASTIC POULTRY FEEDER WITH  
THREADED BAR FOR ADJUSTMENT,  
ANTI-WASTE FINS AND LEGS

<b>07.04.0420</b>	<b>9 L</b>
<b>07.04.0421</b>	<b>20 L</b>



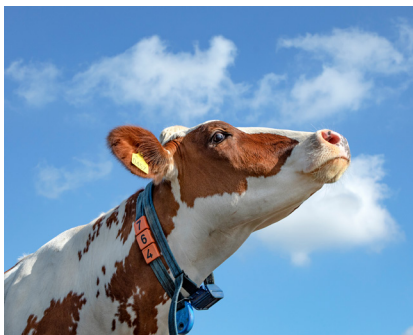




08



# FENCING EQUIPMENT





BLACK RING INSULATOR WITH  
SCREW - REINFORCED WITH METAL  
CORE - STANDARD (25)

**08.04.0001**



BLACK RING INSULATOR WITH  
SCREW - REINFORCED WITH METAL  
CORE - BIG (25)

**08.04.0010**



BLACK INSULATOR FOR ROPE AND  
TAPE 4 CM (25)

**08.04.0015**



ROTATING CORNER INSULATOR FOR  
ROPE (10)

**08.04.0033**



TWO-WAY GATE INSULATOR WITH  
SCREW (10)

**08.04.0035**



INSULATING GATE HANDLE WITH  
HOOK AND INNER SPRING

**08.04.0052**



BLACK INSULATOR "W TYPE" FOR  
ROPE (25)

**08.04.0028**



BLACK STRAIN INSULATOR FOR ROPE  
(25)

**08.04.0029**



WHITE STRAIN INSULATOR FOR  
ROPE - SUPERIOR QUALITY (10)

**08.04.0030**



FENCING PLIERS RED HANDLE  
(CHROME VANADIUM STEEL)

**08.05.0305**



METAL ROPE STRETCHER (10)

**08.05.0200**



TENSIONING ARM FOR METAL ROPE  
STRETCHER

**08.05.0202**

# FENCING EQUIPMENT

## OVAL FIBERGLASS POST



08.04.2002	
COLOUR	YELLOW
TOTAL HEIGHT	110 CM
Ø	10X8 CM
GROUND NAIL LENGTH	22 CM
GROUND NAIL MATERIAL	METAL
PLASTIC INSULATOR	HEAD+1



08.04.2003	
COLOUR	YELLOW
TOTAL HEIGHT	140 CM
Ø	10X8 CM
GROUND NAIL LENGTH	22 CM
GROUND NAIL MATERIAL	METAL
PLASTIC INSULATOR	HEAD+1



08.04.2005	
COLOUR	YELLOW
TOTAL HEIGHT	110 CM
Ø	10X8 CM
GROUND NAIL LENGTH	22 CM
GROUND NAIL MATERIAL	FIBERGLASS AND PLASTIC
PLASTIC INSULATOR	HEAD+1



ADDITIONAL INSULATORS FOR WIRES 20 MM FOR FIBERGLASS POSTS (25)

08.04.2018

## PLASTIC POST



08.04.2024	
COLOUR	WHITE
TOTAL HEIGHT	104 CM
GROUND NAIL LENGTH	18 CM
GROUND NAIL MATERIAL	METAL
EYELETS	5 X WIRE, 2 X TAPE 20 MM, 1 X TAPE 40 MM



08.04.2026	
COLOUR	WHITE
TOTAL HEIGHT	108 CM
GROUND NAIL LENGTH	18 CM
GROUND NAIL MATERIAL	METAL
EYELETS	8 X WIRE, 4 X TAPE 40 MM



08.04.2028	
COLOUR	BLACK
TOTAL HEIGHT	120 CM
GROUND NAIL LENGTH	24 CM
GROUND NAIL MATERIAL	METAL
EYELETS	8 X TAPE 40 MM



### POLYWIRE "STANDARD" FOR ELECTRIC FENCE

CODE	LENGTH	THICKNESS	NR. SS WIRES	RESISTANCE	BREAKING LOAD
<b>08.04.1310</b>	250 M	2 MM	3 X 0,16 MM	12 Ω	70 KG
<b>08.04.1311</b>	500 M	2 MM	3 X 0,16 MM	12 Ω	70 KG
<b>08.04.1320</b>	250 M	2 MM	6 X 0,16 MM	5,5 Ω	70 KG
<b>08.04.1321</b>	500 M	2 MM	6 X 0,16 MM	5,5 Ω	70 KG



### POLYWIRE "SUPER" FOR ELECTRIC FENCE

CODE	LENGTH	THICKNESS	NR. SS WIRES	RESISTANCE	BREAKING LOAD
<b>08.04.1330</b>	250 M	2,5 MM	3 X 0,2 MM	7,2 Ω	95 KG
<b>08.04.1331</b>	500 M	2,5 MM	3 X 0,2 MM	7,2 Ω	95 KG
<b>08.04.1340</b>	250 M	2,5 MM	3 X 0,2 MM	3,6 Ω	95 KG
<b>08.04.1341</b>	500 M	2,5 MM	3 X 0,2 MM	3,6 Ω	95 KG



### POLYWIRE "PREMIUM" FOR ELECTRIC FENCE

CODE	LENGTH	THICKNESS	NR. SS WIRES	NR. COPPER WIRES	RESISTANCE	BREAKING LOAD
<b>08.04.1370</b>	250 M	2,5 MM	2 X 0,2 MM	1 X 0,25 MM	0,45 Ω	95 KG
<b>08.04.1371</b>	500 M	2,5 MM	2 X 0,2 MM	1 X 0,25 MM	0,45 Ω	95 KG



### POLYTAPE "STANDARD" FOR ELECTRIC FENCE

CODE	LENGTH	THICKNESS	NR. SS WIRES	RESISTANCE	BREAKING LOAD
<b>08.04.1734</b>	200 M	10 MM	4 X 0,16 MM	9 Ω	65 KG
<b>08.04.1737</b>	200 M	20 MM	4 X 0,16 MM	9 Ω	90 KG
<b>08.04.1739</b>	200 M	40 MM	8 X 0,16 MM	3,8 Ω	120 KG









A series of horizontal dotted lines spaced evenly down the page, providing a template for writing.





salto

I N N O V A



Distributed by:  
CRYOFARM S.r.l.  
Via Snos, n. 1  
12038 SAVIGLIANO (CN)  
Tel. +39 0172 725727  
info@cryofarm.com

[www.cryofarm.com](http://www.cryofarm.com)  
[www.iaber.it](http://www.iaber.it)