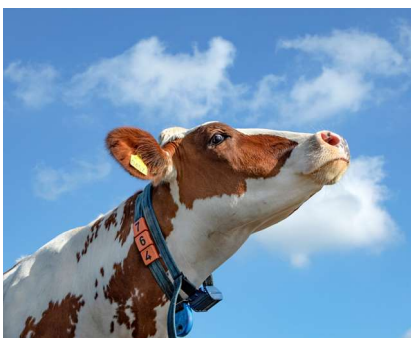


08



FENCING EQUIPMENT





BLACK RING INSULATOR WITH
SCREW - REINFORCED WITH METAL
CORE - STANDARD (25)

08.04.0001



BLACK RING INSULATOR WITH
SCREW - REINFORCED WITH METAL
CORE - BIG (25)

08.04.0010



BLACK INSULATOR FOR ROPE AND
TAPE 4 CM (25)

08.04.0015



ROTATING CORNER INSULATOR FOR
ROPE (10)

08.04.0033



TWO-WAY GATE INSULATOR WITH
SCREW (10)

08.04.0035



INSULATING GATE HANDLE WITH
HOOK AND INNER SPRING

08.04.0052



BLACK INSULATOR "W TYPE" FOR
ROPE (25)

08.04.0028



BLACK STRAIN INSULATOR FOR ROPE
(25)

08.04.0029



WHITE STRAIN INSULATOR FOR
ROPE - SUPERIOR QUALITY (10)

08.04.0030



FENCING PLIERS RED HANDLE
(CHROME VANADIUM STEEL)

08.05.0305



METAL ROPE STRETCHER (10)

08.05.0200




TENSIONING ARM FOR METAL ROPE
STRETCHER


08.05.0202

FENCING EQUIPMENT


OVAL FIBERGLASS POST



08.04.2002	
COLOUR	YELLOW
TOTAL HEIGHT	110 CM
Ø	10X8 CM
GROUND NAIL LENGTH	22 CM
GROUND NAIL MATERIAL	METAL
PLASTIC INSULATOR	HEAD+1



08.04.2003	
COLOUR	YELLOW
TOTAL HEIGHT	140 CM
Ø	10X8 CM
GROUND NAIL LENGTH	22 CM
GROUND NAIL MATERIAL	METAL
PLASTIC INSULATOR	HEAD+1




08.04.2005	
COLOUR	YELLOW
TOTAL HEIGHT	110 CM
Ø	10X8 CM
GROUND NAIL LENGTH	22 CM
GROUND NAIL MATERIAL	FIBERGLASS AND PLASTIC
PLASTIC INSULATOR	HEAD+1




ADDITIONAL INSULATORS FOR WIRES 20 MM FOR FIBERGLASS POSTS (25)

08.04.2018

PLASTIC POST



08.04.2024	
COLOUR	WHITE
TOTAL HEIGHT	104 CM
GROUND NAIL LENGTH	18 CM
GROUND NAIL MATERIAL	METAL
EYELETS	5 X WIRE, 2 X TAPE 20 MM, 1 X TAPE 40 MM



08.04.2026	
COLOUR	WHITE
TOTAL HEIGHT	108 CM
GROUND NAIL LENGTH	18 CM
GROUND NAIL MATERIAL	METAL
EYELETS	8 X WIRE, 4 X TAPE 40 MM



08.04.2028	
COLOUR	BLACK
TOTAL HEIGHT	120 CM
GROUND NAIL LENGTH	24 CM
GROUND NAIL MATERIAL	METAL
EYELETS	8 X TAPE 40 MM



POLYWIRE "STANDARD" FOR ELECTRIC FENCE

CODE	LENGTH	THICKNESS	NR. SS WIRES	RESISTANCE	BREAKING LOAD
08.04.1310	250 M	2 MM	3 X 0,16 MM	12 Ω	70 KG
08.04.1311	500 M	2 MM	3 X 0,16 MM	12 Ω	70 KG
08.04.1320	250 M	2 MM	6 X 0,16 MM	5,5 Ω	70 KG
08.04.1321	500 M	2 MM	6 X 0,16 MM	5,5 Ω	70 KG



POLYWIRE "SUPER" FOR ELECTRIC FENCE

CODE	LENGTH	THICKNESS	NR. SS WIRES	RESISTANCE	BREAKING LOAD
08.04.1330	250 M	2,5 MM	3 X 0,2 MM	7,2 Ω	95 KG
08.04.1331	500 M	2,5 MM	3 X 0,2 MM	7,2 Ω	95 KG
08.04.1340	250 M	2,5 MM	3 X 0,2 MM	3,6 Ω	95 KG
08.04.1341	500 M	2,5 MM	3 X 0,2 MM	3,6 Ω	95 KG



POLYWIRE "PREMIUM" FOR ELECTRIC FENCE

CODE	LENGTH	THICKNESS	NR. SS WIRES	NR. COPPER WIRES	RESISTANCE	BREAKING LOAD
08.04.1370	250 M	2,5 MM	2 X 0,2 MM	1 X 0,25 MM	0,45 Ω	95 KG
08.04.1371	500 M	2,5 MM	2 X 0,2 MM	1 X 0,25 MM	0,45 Ω	95 KG



POLYTAPE "STANDARD" FOR ELECTRIC FENCE

CODE	LENGTH	THICKNESS	NR. SS WIRES	RESISTANCE	BREAKING LOAD
08.04.1734	200 M	10 MM	4 X 0,16 MM	9 Ω	65 KG
08.04.1737	200 M	20 MM	4 X 0,16 MM	9 Ω	90 KG
08.04.1739	200 M	40 MM	8 X 0,16 MM	3,8 Ω	120 KG

