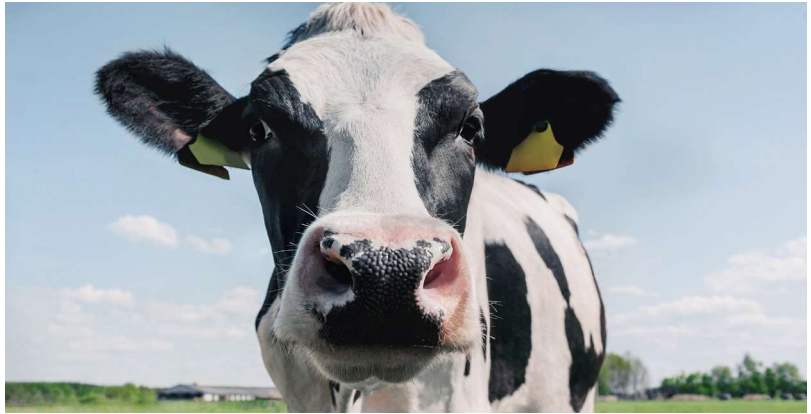
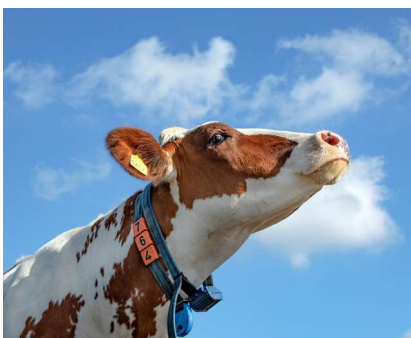


02



# VETERINARY EQUIPMENT





SYRINGE "SMART"  
VETERINARY USE

|                   |               |                    |
|-------------------|---------------|--------------------|
| <b>02.01.2301</b> | <b>5 ML</b>   | <b>TRASPARENT</b>  |
| <b>02.01.2302</b> | <b>10 ML</b>  | <b>BLACK</b>       |
| <b>02.01.2303</b> | <b>20 ML</b>  | <b>GREEN</b>       |
| <b>02.01.2304</b> | <b>30 ML</b>  | <b>BLUE</b>        |
| <b>02.01.2305</b> | <b>50 ML</b>  | <b>TRANSPARENT</b> |
| <b>02.01.2306</b> | <b>100 ML</b> | <b>BLUE</b>        |



SPARE O-RING FOR  
SMART SYRINGE

|                   |               |
|-------------------|---------------|
| <b>02.01.2551</b> | <b>5 ML</b>   |
| <b>02.01.2552</b> | <b>10 ML</b>  |
| <b>02.01.2553</b> | <b>20 ML</b>  |
| <b>02.01.2554</b> | <b>30 ML</b>  |
| <b>02.01.2555</b> | <b>50 ML</b>  |
| <b>02.01.2556</b> | <b>100 ML</b> |



DISPOSABLE PLASTIC FLEXIBLE  
EXTENSION TUBE "WARD" FOR  
SYRINGE - LUER LOCK

**02.01.2613**



FLEXIBLE EXTENSION TUBE FOR  
SYRINGE - LUER LOCK

**02.01.2512**



DRENCHING CANNULA 120 X 6 MM  
WITH THREAD CONNECTION

**02.01.3050**



DRENCHING CANNULA 120 X 6 MM  
LUER LOCK

**02.01.3158**



INTRA-RUMINAL NEEDLE LUER LOCK

**02.01.3256**



DOUBLE PLASTIC NEEDLE FOR  
TRANSFER - STERILE

**02.04.5509**



DOUBLE PLASTIC NEEDLE FOR  
TRANSFER - NON STERILE

**02.04.5510**



## REVOLVERMATIK



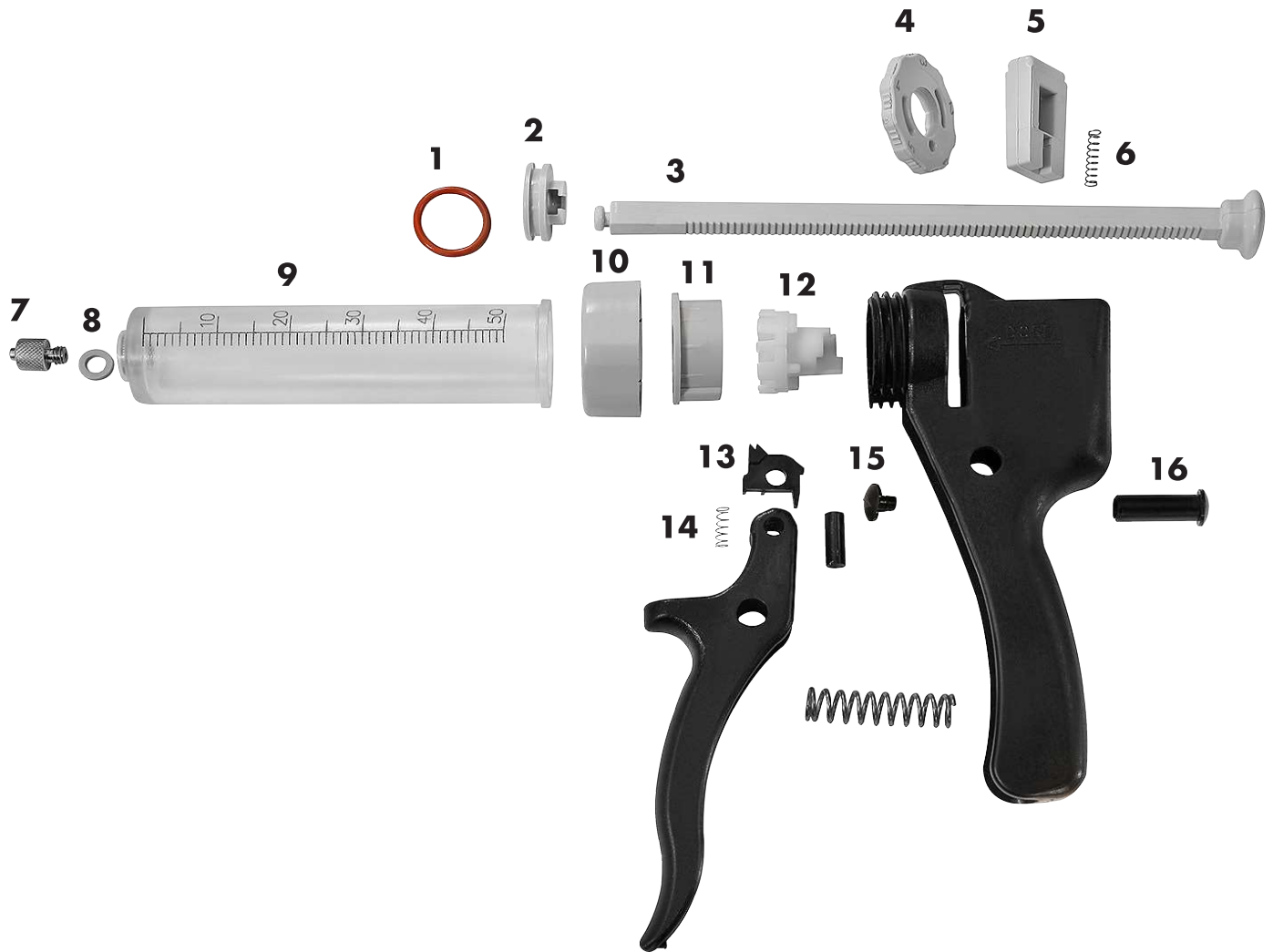
SEMI AUTOMATIC SYRINGE  
"REVOLVERMATIK" WITH ADJUSTABLE DOSE  
VETERINARY USE

| CODE       | VOLUME | DOSING                          |
|------------|--------|---------------------------------|
| 02.01.3001 | 10 ML  | 0,25 - 0,5 - 0,75 - 1 - 1,25 ml |
| 02.01.3002 | 25 ML  | 0,5 - 1 - 1,5 - 2 - 2,5 ml      |
| 02.01.3003 | 50 ML  | 1 - 2 - 3 - 4 - 5 ml            |

**LIGHT AND EASY TO HANDLE**

**MADE WITH STRONG AND DURABLE MATERIAL**

**FIXED SETTING**



## AVAILABLE SPARE PARTS

|           | 10 ML             | 25 ML             | 50 ML             |  |
|-----------|-------------------|-------------------|-------------------|--|
| <b>1</b>  | <b>02.01.3511</b> | <b>02.01.3512</b> | <b>02.01.3513</b> | SPARE PLUNGER O-RING FOR "REVOLVERMATIK" AND "STRONGVAX" 50 ML SYRINGE |
| <b>2</b>  | <b>02.01.3521</b> | <b>02.01.3522</b> | <b>02.01.3523</b> | SPARE PLUNGER FOR "REVOLVERMATIK" 50 ML SYRINGE                        |
| <b>3</b>  | <b>02.01.3553</b> | <b>02.01.3553</b> | <b>02.01.3553</b> | SPARE DOSING ROD FOR "REVOLVERMATIK" SYRINGE                           |
| <b>4</b>  | <b>02.01.3541</b> | <b>02.01.3542</b> | <b>02.01.3543</b> | SPARE DOSAGE DIAL FOR "REVOLVERMATIK" 50 ML SYRINGE                    |
| <b>5</b>  | <b>02.01.3554</b> | <b>02.01.3554</b> | <b>02.01.3554</b> | SPARE ANTI-REFLUX FOR "REVOLVERMATIK" SYRINGE                          |
| <b>6</b>  | <b>02.01.3556</b> | <b>02.01.3556</b> | <b>02.01.3556</b> | SPARE ANTI-REFLUX SPRING FOR "REVOLVERMATIK" SYRINGE                   |
| <b>7</b>  | <b>02.01.3550</b> | <b>02.01.3550</b> | <b>02.01.3550</b> | SPARE LUER LOCK TIP FOR "REVOLVERMATIK" SYRINGE                        |
| <b>8</b>  | <b>02.01.3551</b> | <b>02.01.3551</b> | <b>02.01.3551</b> | GASKET FOR LL TIP FOR "REVOLVERMATIK" SYRINGE                          |
| <b>9</b>  | <b>02.01.3501</b> | <b>02.01.3502</b> | <b>02.01.3503</b> | SPARE PLASTIC CYLINDER FOR "REVOLVERMATIK" 50 ML SYRINGE               |
| <b>10</b> | <b>02.01.3531</b> | <b>02.01.3532</b> | <b>02.01.3533</b> | SPARE PLASTIC RING FOR "REVOLVERMATIK" 50 ML SYRINGE                   |
| <b>11</b> | <b>02.01.3558</b> | <b>02.01.3558</b> | <b>02.01.3558</b> | SPARE PLUNGER REAR STOPPING PLATE FOR "SMARTMATIK" SYRINGE             |
| <b>12</b> | <b>02.01.3557</b> | <b>02.01.3557</b> | <b>02.01.3557</b> | SPARE INNER DOSAGE DIAL FOR "REVOLVERMATIK" SYRINGE                    |
| <b>13</b> | <b>02.01.3552</b> | <b>02.01.3552</b> | <b>02.01.3552</b> | SPARE PUSHING RATCHET + SPRING FOR "REVOLVERMATIK" SYRINGE             |
| <b>14</b> | <b>02.01.3555</b> | <b>02.01.3555</b> | <b>02.01.3555</b> | SPARE PUSHING RATCHET SPRING FOR "REVOLVERMATIK" SYRINGE               |
| <b>15</b> | <b>02.01.3561</b> | <b>02.01.3561</b> | <b>02.01.3561</b> | SPARE CAP FOR HANDLE LINCHPIN FOR "REVOLVERMATIK" SYRINGE              |
| <b>16</b> | <b>02.01.3562</b> | <b>02.01.3562</b> | <b>02.01.3562</b> | SPARE HANDLE LINCHPIN FOR "REVOLVERMATIK" SYRINGE                      |
|           | <b>02.01.3516</b> | <b>02.01.3517</b> | <b>02.01.3518</b> | SET OF SPARE SPRINGS - O RING REVOLVERMATIK 50 ML                      |

# STRONGVAX 50 ML



Designed  
for cattle



Designed  
for swine



SEMI-AUTOMATIC SYRINGE "STRONGVAX"  
50 ML WITH UNBREAKABLE CYLINDER AND  
METAL COVER - VETERINARY USE

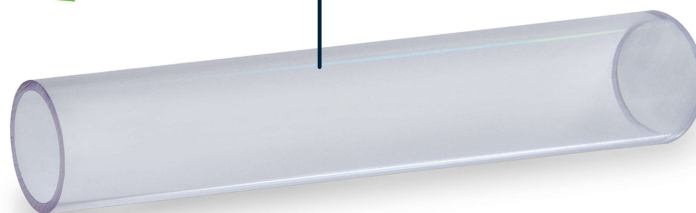
**02.01.2755**



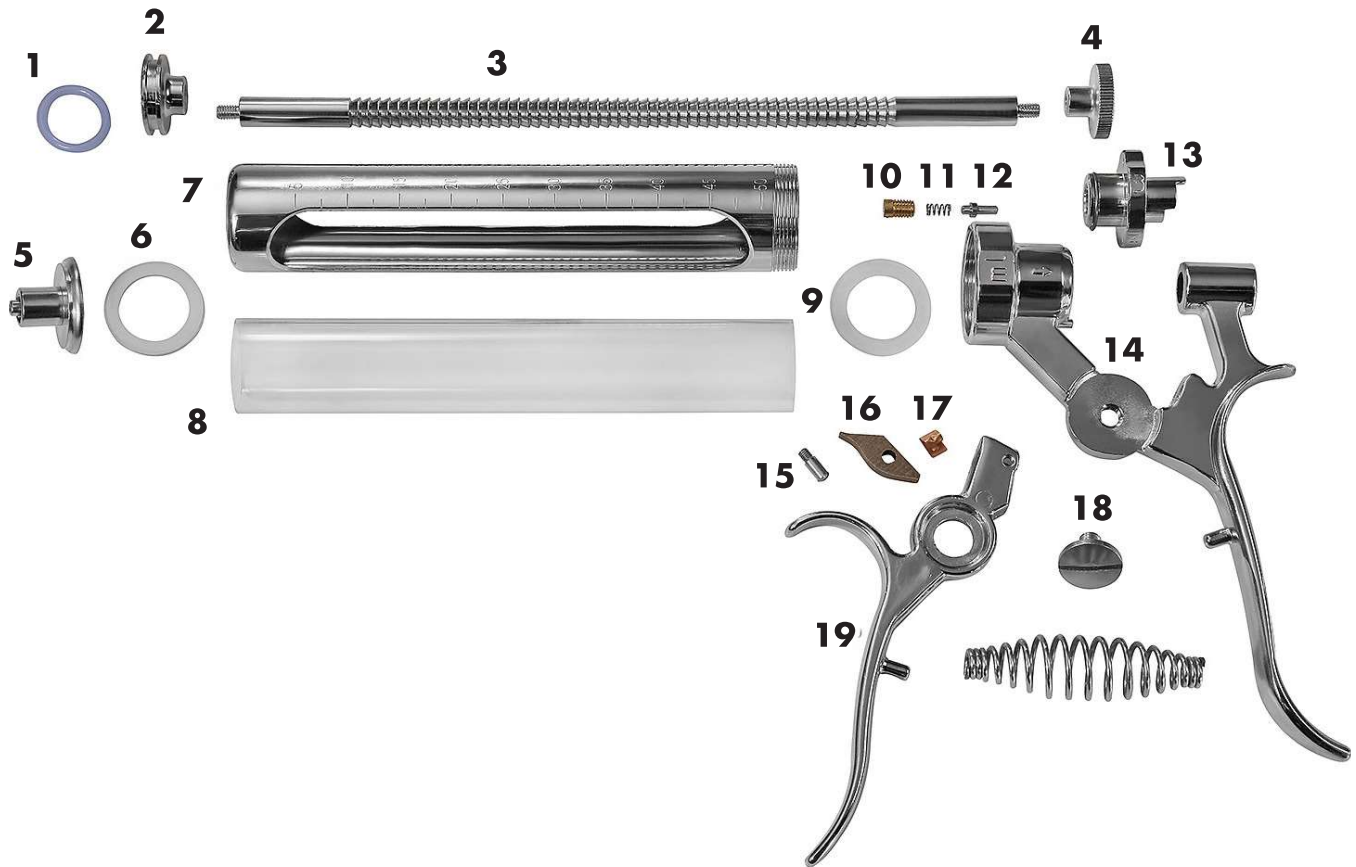
AVAILABLE WITH  
EXTENSION



UNBREAKABLE  
PLASTIC CYLINDER

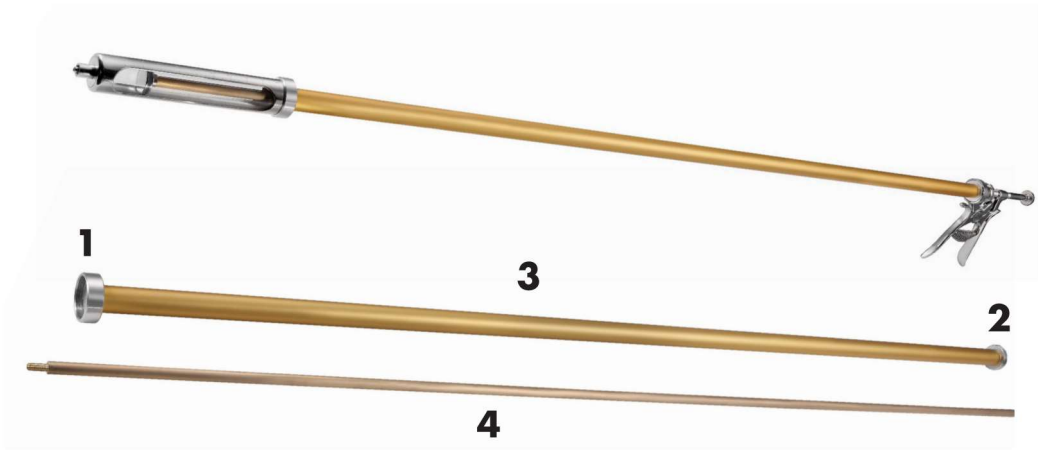


AS CLEAR AS GLASS,  
AS STRONG AS IRON



## AVAILABLE SPARE PARTS

|    |            |  |
|----|------------|--|
| 1  | 02.01.3512 | SPARE PLUNGER O-RING FOR "STRONGVAX" 50 ML SYRINGE                                 |
| 2  | 02.01.2790 | SPARE PLUNGER FOR "STRONGVAX" 50 ML SYRINGE  |
| 3  | 02.01.2789 | SPARE PUSHING ROD FOR "STRONGVAX" 50 ML SYRINGE                                    |
| 4  | 02.01.2781 | SPARE REAR KNOB FOR "STRONGVAX" 50 ML SYRINGE                                      |
| 5  | 02.01.2782 | SPARE LUER LOCK TIP FOR "STRONGVAX" 50 ML SYRINGE - COMPATIBLE WITH "MUTO" SYRINGE |
| 6  | 02.01.2774 | SPARE TIP-CYLINDER GASKET FOR "STRONGVAX" 50 ML SYRINGE                            |
| 7  | 02.01.2776 | SPARE METAL BARREL WITH WIDE SLOT FOR "STRONGVAX" 50 ML SYRINGE                    |
| 8  | 02.01.8099 | UNBREAKABLE PLASTIC CYLINDER FOR "STRONGVAX" COMPATIBLE WITH "MUTO" SYRINGE        |
| 9  | 02.01.2773 | SPARE CYLINDER-HANDLE PLASTIC GASKET FOR "STRONGVAX" 50 ML SYRINGE                 |
| 10 | 02.01.2783 | SPARE DOSAGE DIAL SCREW FOR "STRONGVAX" 50 ML SYRINGE                              |
| 11 | 02.01.2772 | SPARE DOSAGE DIAL INNER SPRING FOR "STRONGVAX" 50 ML SYRINGE                       |
| 12 | 02.01.2769 | SPARE DOSAGE DIAL INNER LINCHPIN FOR "STRONGVAX" 50 ML SYRINGE                     |
| 13 | 02.01.2786 | SPARE DOSAGE DIAL FOR "STRONGVAX" 50 ML SYRINGE                                    |
| 14 | 02.01.2784 | SPARE BACK HANDLE FOR "STRONGVAX" 50 ML SYRINGE                                    |
| 15 | 02.01.2788 | SPARE PUSHING RATCHET LINCHPIN FOR "STRONGVAX" 50 ML SYRINGE                       |
| 16 | 02.01.2785 | SPARE PUSHING RATCHET FOR "STRONGVAX" 50 ML SYRINGE                                |
| 17 | 02.01.2787 | SPARE PUSHING RATCHET SPRING FOR "STROGVAX" 50 ML SYRINGE                          |
| 18 | 02.01.2771 | SPARE HANDLE SCREW FOR "STRONGVAX" 50 ML SYRINGE                                   |
| 19 | 02.01.2770 | SPARE FRONT HANDLE/TRIGGER FOR "STRONGVAX" 50 ML SYRINGE                           |



|          |                   |   |
|----------|-------------------|---|
|          | <b>02.01.2888</b> | COMPLETE EXTENSION 95 CM FOR "STRONGVAX" SYRINGE                          |
| <b>1</b> | <b>02.01.2881</b> | OUTER CONNECTION - CYLINDER FOR "STRONGVAX" SYRINGE EXTENSION             |
| <b>2</b> | <b>02.01.2880</b> | OUTER CONNECTION - HANDLE FOR "STRONGVAX" SYRINGE EXTENSION               |
| <b>3</b> | <b>02.01.2870</b> | ALLUMINIUM EXTERNAL CYLINDER FOR "STRONGVAX" AND "MUTO" SYRINGE EXTENSION |
| <b>4</b> | <b>02.01.2871</b> | INNER ROD FOR "STRONGVAX" SYRINGE EXTENSION                               |



SPARE REAR KNURLED KNOB FOR SYRINGE

|                   |                     |
|-------------------|---------------------|
| <b>02.01.2801</b> | <b>BLACK/RED</b>    |
| <b>02.01.2802</b> | <b>BLACK/GREEN</b>  |
| <b>02.01.2803</b> | <b>BLACK/BLUE</b>   |
| <b>02.01.2804</b> | <b>BLACK/YELLOW</b> |



SPARE CHROMED CYLINDER FOR "STRONGVAX"

|                   |               |
|-------------------|---------------|
| <b>02.01.2810</b> | <b>BLUE</b>   |
| <b>02.01.2811</b> | <b>RED</b>    |
| <b>02.01.2812</b> | <b>GREEN</b>  |
| <b>02.01.2813</b> | <b>YELLOW</b> |



## EASYVAX METAL



SEMIAUTOMATIC SYRINGE  
"EASYVAX METAL" 50 ML WITH TPX  
CYLINDER - VETERINARY USE

**02.01.2836**



SPARE GASKET LUER LOCK AND  
PISTON FOR "EASYVAX METAL"  
SYRINGE

**02.01.2845**



SPARE HANDLE SPRING "EASYVAX  
METAL" SYRINGE

**02.01.2846**



SPARE HANDLE SCREW FOR  
"EASYVAX METAL" SYRINGE

**02.01.2847**



SPARE TPX PLASTIC CYLINDER  
FOR "EASYVAX METAL"  
SYRINGE

**02.01.2848**



SPARE LUER LOCK TIP FOR  
"EASYVAX METAL" SYRINGE

**02.01.2849**



KIT PIVOT+SPRING+TOOTH FOR  
"EASYVAX METAL" SYRINGE

**02.01.2855**



REAR SCREWED KNOB FOR  
PLUNGER COMPRESSION FOR  
"EASYVAX METAL"

**02.01.2856**

# HAUPTNER MUTO 50 ML



SEMI-AUTOMATIC SYRINGE HAUPTNER  
"MUTO 50 ML" WITH GLASS CYLINDER.  
VETERINARY USE

|                   |                      |
|-------------------|----------------------|
| <b>02.01.2905</b> | <b>LUER LOCK TIP</b> |
| <b>02.01.2910</b> | <b>THREADED TIP</b>  |



OUTER CYLINDER WITH WIDER  
OPENINGS FOR "HAUPTNER MUTO"  
SYRINGE - GREY

**02.01.2820**



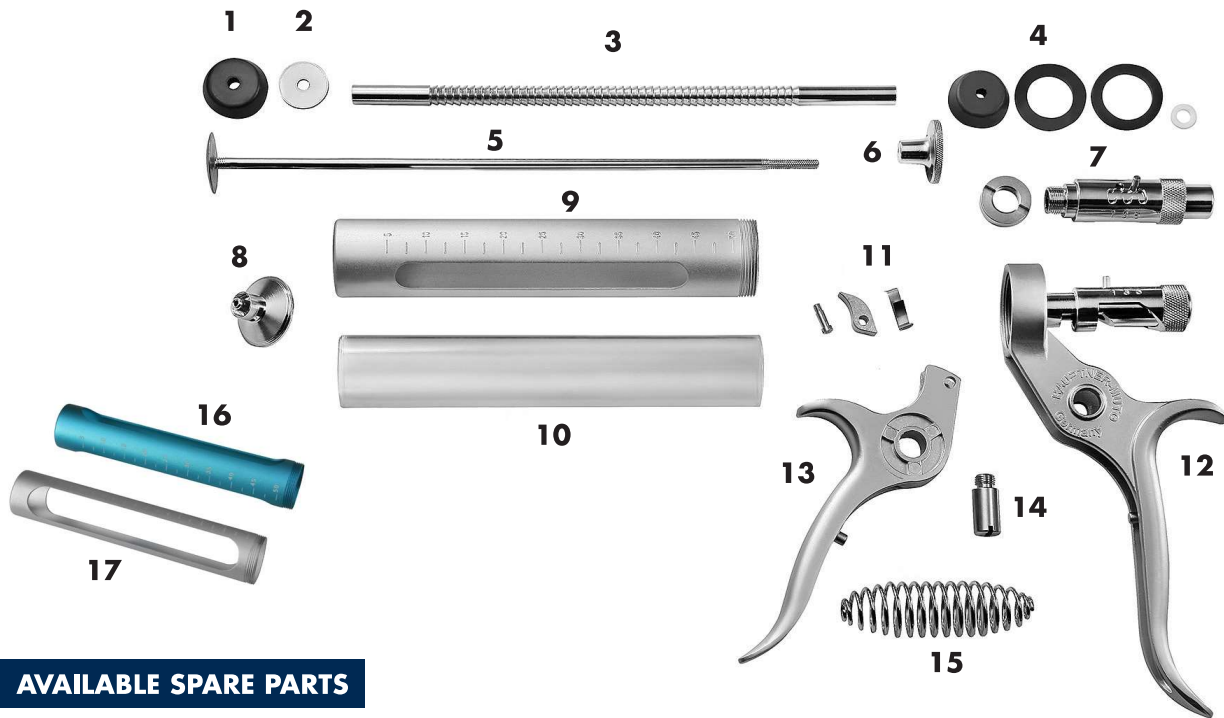
OUTER CYLINDER WITH WIDER  
OPENINGS FOR "HAUPTNER MUTO"  
SYRINGE - BLUE

**02.01.2823**



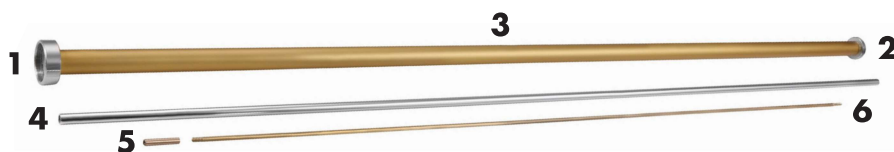
UNBREAKABLE PLASTIC CYLINDER

**02.01.8099**



### AVAILABLE SPARE PARTS

|    |            |   |
|----|------------|---|
| 1  | 02.01.2965 | PLUNGER RUBBER SEAL FOR "MUTO 50 ML" SYRINGE                                      |
| 2  | 02.01.2976 | METAL PLATE FOR PLUNGER COMPRESSION   |
| 3  | 02.01.2974 | OUTER SERRATED ROD OF THE PLUNGER FOR "STRONGVAX" SYRINGE                         |
| 4  | 02.01.2966 | SPARE GASKETS FOR "MUTO 50 ML" SYRINGE  |
| 5  | 02.01.2973 | INNER ROD OF THE PLUNGER FOR "STRONGVAX" SYRINGE                                  |
| 6  | 02.01.2977 | REAT SCREWED KNOB FOR PLUNGER COMPRESSION FOR "MUTO 50 ML" SYRINGE                |
| 7  | 02.01.2970 | DOSING SELECTOR FOR "MUTO 50 ML" SYRINGE  |
| 8  | 02.01.2978 | CAP WITH LUER LOCK CONNECTION FOR "MUTO 50 ML" SYRINGE                            |
| 8  | 02.01.2979 | CAP WITH THREADED CONNECTION FOR "MUTO 50 ML" SYRINGE                             |
| 9  | 02.01.2969 | CYLINDER METAL COVER FOR "MUTO 50 ML" SYRINGE                                     |
| 10 | 02.01.8099 | UNBREAKABLE PLASTIC CYLINDER FOR "STRONGVAX" 50 ML COMPATIBLE WITH "MUTO" SYRINGE |
| 11 | 02.01.2982 | KIT PIVOT+SPRING+TOOTH FOR "MUTO 50 ML" SYRINGE                                   |
| 12 | 02.01.2980 | BACK HANDLE (WITH DOSING SELECTOR) FOR "MUTO 50 ML" SYRINGE                       |
| 13 | 02.01.2981 | FRONT HANDLE/TRIGGER FOR "MUTO 50 ML" SYRINGE                                     |
| 14 | 02.01.2968 | JOINING SCREW FOR HANDLE "MUTO 50 ML" SYRINGE                                     |
| 15 | 02.01.2967 | SPRING FOR HANDLE "MUTO 50 ML" SYRINGE  |
| 16 | 02.01.2823 | OUTER CYLINDER WITH WIDER OPENINGS FOR "HAUPTNER MUTO" SYRINGE - LIGHT BLUE       |
| 17 | 02.01.2820 | OUTER CYLINDER WITH WIDER OPENINGS FOR "HAUPTNER MUTO" SYRINGE - GREY             |



EXTENSION COMPLETE 95 CM FOR "HAUPTNER MUTO" SYRINGE

**02.01.2890**

|   |            |  |
|---|------------|--|
| 1 | 02.01.2885 | OUTER CONNECTION EXTENSION - CYLINDER FOR "MUTO" SYRINGE |
| 2 | 02.01.2884 | OUTER CONNECTION EXTENSION - HANDLE FOR "MUTO SYRINGE"   |
| 3 | 02.01.2870 | ALLUMINIUM TUBE POLE FOR "STRONGVAX" - "MUTO" SYRINGE    |
| 4 | 02.01.2872 | INNER TUBE ALLUMINIUM CABLE FOR EXTENSION "MUTO" SYRINGE |
| 5 | 02.01.2874 | INNER CONNECTION FOR EXTENSION "MUTO" SYRINGE            |
| 6 | 02.01.2873 | INNER POLE FOR "MUTO" SYRINGE EXTENSION                  |

## SMARTVAX 50 ML



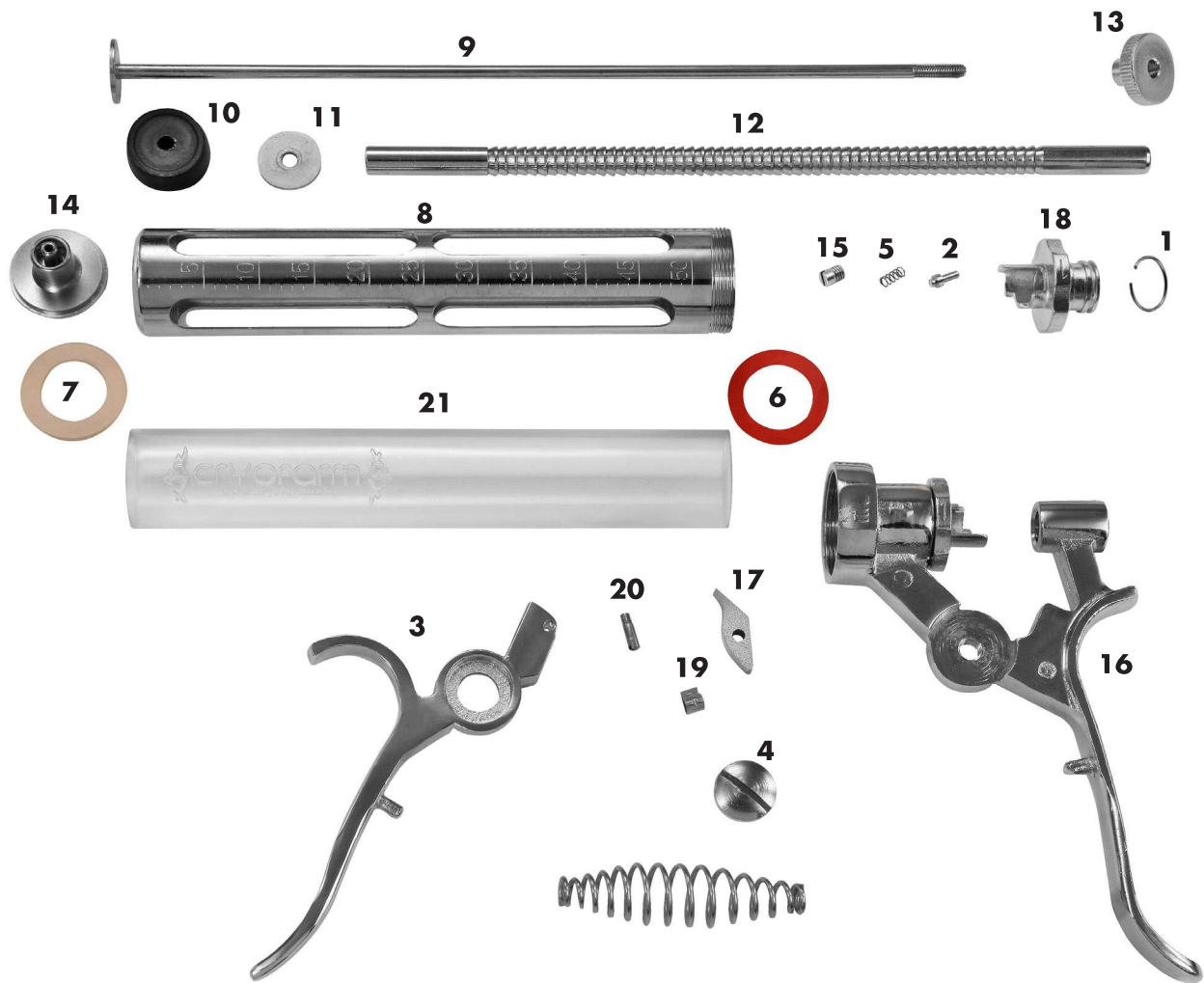
SEMI-AUTOMATIC SYRINGE "SMARTVAX"  
50 ML WITH UNBREAKABLE CYLINDER -  
VETERINARY USE

**02.01.7505**



SPARE UNBREAKABLE PLASTIC  
CYLINDER FOR "SMARTVAX" 50 ML  
SYRINGE

**02.01.7760**



## AVAILABLE SPARE PARTS

|    |            |  |
|----|------------|--|
| 1  | 02.01.7718 | SPARE DOSAGE DIAL METAL O-RING FOR "SMARTVAX" 50 ML SYRINGE            |
| 2  | 02.01.7719 | SPARE DOSAGE DIAL LINCHPIN FOR "SMARTVAX" 50 ML SYRINGE                |
| 3  | 02.01.7720 | SPARE SMALL HANDLE/TRIGGER FOR "SMARTVAX" 50 ML SYRINGE                |
| 4  | 02.01.7721 | SPARE HANDLE SCREW FOR "SMARTVAX" 50 ML SYRINGE                        |
| 5  | 02.01.7722 | SPARE DOSAGE DIAL SPRING FOR "SMARTVAX" 50 ML SYRINGE                  |
| 6  | 02.01.7723 | SPARE CYLINDER-HANDLE WASHER FOR "SMARTVAX" 50 ML SYRINGE              |
| 7  | 02.01.7725 | SPARE TIP-CYLINDER RUBBER O-RING FOR "SMARTVAX" 50 ML SYRINGE          |
| 8  | 02.01.7727 | SPARE BARREL METAL FRAME FOR "SMARTVAX" 50 ML SYRINGE                  |
| 9  | 02.01.7728 | SPARE INNER PISTON SHAFT FOR "SMARTVAX" 50 ML SYRINGE                  |
| 10 | 02.01.7730 | SPARE PISTON RUBBER SEAL FOR "SMARTVAX" 50 ML SYRINGE                  |
| 11 | 02.01.7731 | SPARE PISTON HOLDING DISC FOR "SMARTVAX" 50 ML SYRINGE                 |
| 12 | 02.01.7732 | SPARE OUTER PISTON SHAFT WITH DOSAGE STEP FOR "SMARTVAX" 50 ML SYRINGE |
| 13 | 02.01.7733 | SPARE REAR KNOB FOR "SMARTVAX" 50 ML SYRINGE                           |
| 14 | 02.01.7738 | SPARE TOP PART WITH LUER LOC ADAPTER FOR "SMARTVAX" 50 ML SYRINGE      |
| 15 | 02.01.7742 | SPARE DOSAGE DIAL INNER SCREW FOR "SMARTVAX" 50 ML SYRINGE             |
| 16 | 02.01.7745 | SPARE BIG HANDLE FOR "SMARTVAX" 50 ML SYRINGE                          |
| 17 | 02.01.7747 | SPARE DOSAGE RATCHET FOR "SMARTVAX" 50 ML SYRINGE                      |
| 18 | 02.01.7749 | SPARE DOSAGE DIAL FOR "SMARTVAX" 50 ML SYRINGE                         |
| 19 | 02.01.7751 | SPARE RATCHET SPRING FOR "SMARTVAX" 50 ML SYRINGE                      |
| 20 | 02.01.7752 | SPARE RATCHET SCREW FOR "SMARTVAX" 50 ML SYRINGE                       |
| 21 | 02.01.7760 | SPARE UNBREAKABLE PLASTIC CYLINDER FOR "SMARTVAX" 50 ML SYRINGE        |

**SMARTMATIK**



AUTOMATIC SYRINGE  
"SMARTMATIK" WITH BOTTLE  
HOLDER WITH REPLACEABLE VALVE -  
VETERINARY USE

|                   |             |
|-------------------|-------------|
| <b>02.01.4442</b> | <b>2 ML</b> |
| <b>02.01.4445</b> | <b>5 ML</b> |



AUTOMATIC SYRINGE  
"SMARTMATIK" WITH TUBE -  
VETERINARY USE

|                   |             |
|-------------------|-------------|
| <b>02.01.4402</b> | <b>2 ML</b> |
| <b>02.01.4405</b> | <b>5 ML</b> |



SPARE LUER LOCK TIP  
FOR "SMARTMATIK"  
SYRINGE

|                   |
|-------------------|
| <b>02.01.4490</b> |
|-------------------|



SPARE CYLINDER FOR  
"SMARTMATIK" 2  
ML SYRINGE WITH  
BOTTLE HOLDER AND  
REPLACEABLE VALVE

|                   |             |
|-------------------|-------------|
| <b>02.01.4448</b> | <b>2 ML</b> |
| <b>02.01.4449</b> | <b>5 ML</b> |



SPARE CYLINDER  
"SMARTMATIK"  
WITH TUBE

|                   |             |
|-------------------|-------------|
| <b>02.01.4508</b> | <b>2 ML</b> |
| <b>02.01.4510</b> | <b>5 ML</b> |



SPARE CONNECTION  
TUBE FOR "SMARTMATIK"  
SYRINGE

|                   |
|-------------------|
| <b>02.01.4517</b> |
|-------------------|



SPARE FLEXIBLE DIP TUBE  
100 CM FOR SYRINGE

|                   |
|-------------------|
| <b>02.01.3318</b> |
|-------------------|



SPARE BOTTLE ADAPTER  
FOR "SMARTMATIK"  
SYRINGE

|                   |               |
|-------------------|---------------|
| <b>02.01.4492</b> | <b>MEDIUM</b> |
| <b>02.01.4493</b> | <b>BIG</b>    |



PROTECTIVE BOTTLE  
HOLDER - STANDARD-  
FOR "SMARTMATIK"  
SYRINGE

|                   |               |
|-------------------|---------------|
| <b>02.01.4499</b> | <b>100 ML</b> |
| <b>02.01.4519</b> | <b>250 ML</b> |



SPARE BOTTLE HOLDER  
RUBBER INSERT FOR  
"SMARTMATIK" AND  
"ROTAMATIK" SYRINGE

|                   |
|-------------------|
| <b>02.01.4494</b> |
|-------------------|



SPARE SPRINGS  
VALVES, O-RING FOR  
"SMARTMATIK" WITH  
BOTTLE HOLDER

|                   |             |
|-------------------|-------------|
| <b>02.01.4482</b> | <b>2 ML</b> |
| <b>02.01.4485</b> | <b>5 ML</b> |



SPARE SPRING,  
VALVES, O-RING FOR  
"SMARTMATIK" WITH TUBE

|                   |
|-------------------|
| <b>02.01.4490</b> |
|-------------------|

## ROTAMATIK



AUTOMATIC "ROTAMATIK" SYRINGE  
WITH BOTTLE HOLDER  
VETERINARY USE

|                   |             |
|-------------------|-------------|
| <b>02.01.4642</b> | <b>2 ML</b> |
| <b>02.01.4645</b> | <b>6 ML</b> |



SPARE CYLINDER FOR "ROTAMATIK"  
SYRINGE WITH BOTTLE HOLDER

|                   |             |
|-------------------|-------------|
| <b>02.01.4657</b> | <b>2 ML</b> |
| <b>02.01.4659</b> | <b>6 ML</b> |



SPARE LUER LOCK CONNECTION  
FOR "ROTAMATIK" SYRINGE

|                   |
|-------------------|
| <b>02.01.4670</b> |
|-------------------|



SPARE SETS OF FRONT AND TOP  
O-RINGS AND SPRINGS FOR  
"ROTAMATIK" SYRINGE WITH  
BOTTLE HOLDER

|                   |             |
|-------------------|-------------|
| <b>02.01.4647</b> | <b>2 ML</b> |
| <b>02.01.4649</b> | <b>6 ML</b> |



SPARE BOTTLE HOLDER RUBBER  
INSERT FOR "SMARTMATIK" AND  
"ROTAMATIK" SYRINGE

|                   |
|-------------------|
| <b>02.01.4494</b> |
|-------------------|



PROTECTIVE BOTTLE HOLDER -  
STANDARD

|                   |               |
|-------------------|---------------|
| <b>02.01.4499</b> | <b>100 ML</b> |
| <b>02.01.4519</b> | <b>250 ML</b> |

## SERENA



AUTOMATIC SYRINGE "SERENA"  
WITH FRONT BOTTLE HOLDER -  
VETERINARY USE

|                   |               |
|-------------------|---------------|
| <b>02.01.3330</b> | <b>0,5 ML</b> |
| <b>02.01.3331</b> | <b>1 ML</b>   |
| <b>02.01.3332</b> | <b>2 ML</b>   |



AUTOMATIC SYRINGE "SERENA"  
WITH REAR 45° BOTTLE HOLDER -  
VETERINARY USE

|                   |              |
|-------------------|--------------|
| <b>02.01.3348</b> | <b>5 ML</b>  |
| <b>02.01.3344</b> | <b>12 ML</b> |



SPARE LUER LOCK TIP FOR "SERENA"  
SYRINGE

**02.01.3396**



SPARE PLASTIC TIP OF THE BOTTLE  
HOLDER "SERENA"

**02.01.3365**



SPARE BOTTLE HOLDER ADAPTER FOR  
BOTTLE HOLDER "SERENA"

**02.01.3366**

**BIG**

**02.01.3367**

**SMALL**



SPARE O-RINGS AND VALVES FOR  
"SERENA" SYRINGE

|                   |               |
|-------------------|---------------|
| <b>02.01.3380</b> | <b>0,5 ML</b> |
| <b>02.01.3381</b> | <b>1 ML</b>   |
| <b>02.01.3382</b> | <b>2 ML</b>   |
| <b>02.01.3383</b> | <b>5 ML</b>   |
| <b>02.01.3384</b> | <b>12 ML</b>  |



SPARE CYLINDER FOR "SERENA"  
SYRINGE

|                   |               |
|-------------------|---------------|
| <b>02.01.3390</b> | <b>0,5 ML</b> |
| <b>02.01.3391</b> | <b>1 ML</b>   |
| <b>02.01.3392</b> | <b>2 ML</b>   |
| <b>02.01.3393</b> | <b>5 ML</b>   |
| <b>02.01.3394</b> | <b>12 ML</b>  |



## SERENA



AUTOMATIC SYRINGE "SERENA"  
WITH TUBE - VETERINARY USE

|                   |               |
|-------------------|---------------|
| <b>02.01.3320</b> | <b>0,5 ML</b> |
| <b>02.01.3321</b> | <b>1 ML</b>   |
| <b>02.01.3322</b> | <b>2 ML</b>   |



AUTOMATIC SYRINGE "SERENA"  
WITH TUBE - VETERINARY USE

|                   |              |
|-------------------|--------------|
| <b>02.01.3323</b> | <b>5 ML</b>  |
| <b>02.01.3324</b> | <b>12 ML</b> |



SPARE LUER LOCK TIP FOR "SERENA"  
SYRINGE

**02.01.3396**



SPARE HEAD CONNECTION  
FOR TUBE FOR "SERENA" SYRINGE

**02.01.3398**



SPARE O-RINGS AND VALVES FOR  
"SERENA" SYRINGE

|                   |               |
|-------------------|---------------|
| <b>02.01.3380</b> | <b>0,5 ML</b> |
| <b>02.01.3381</b> | <b>1 ML</b>   |
| <b>02.01.3382</b> | <b>2 ML</b>   |
| <b>02.01.3383</b> | <b>5 ML</b>   |
| <b>02.01.3384</b> | <b>12 ML</b>  |



SPARE CYLINDER FOR "SERENA"  
SYRINGE

|                   |               |
|-------------------|---------------|
| <b>02.01.3390</b> | <b>0,5 ML</b> |
| <b>02.01.3391</b> | <b>1 ML</b>   |
| <b>02.01.3392</b> | <b>2 ML</b>   |
| <b>02.01.3393</b> | <b>5 ML</b>   |
| <b>02.01.3394</b> | <b>12 ML</b>  |



SPARE FLEXIBLE DIP TUBE 100 CM  
FOR SYRINGE

**02.01.3318**

## SERENA



AUTOMATIC DOUBLE SYRINGE  
"SERENA" WITH TUBE INDEPENDENT  
ADJUSTMENT - VETERINARY USE

|                   |               |
|-------------------|---------------|
| <b>02.01.3301</b> | <b>0,5 ML</b> |
| <b>02.01.3304</b> | <b>2 ML</b>   |



SPARE GASKETS AND VALVES KIT  
FOR AUTOMATIC "SERENA" DOUBLE  
SYRINGE

|                   |               |
|-------------------|---------------|
| <b>02.01.3311</b> | <b>0,5 ML</b> |
| <b>02.01.3911</b> | <b>2 ML</b>   |



SPARE CYLINDER FOR AUTOMATIC  
"SERENA" DOUBLE SYRINGE

|                   |               |
|-------------------|---------------|
| <b>02.01.3314</b> | <b>0,5 ML</b> |
| <b>02.01.3914</b> | <b>2 ML</b>   |



SPARE LL HEAD FOR "SERENA"  
DOUBLE SYRINGE WITH DOUBLE EXIT

|                   |                    |
|-------------------|--------------------|
| <b>02.01.3306</b> | <b>29 MM GAP</b>   |
| <b>02.01.3307</b> | <b>23 MM GAP</b>   |
| <b>02.01.3308</b> | <b>SINGLE EXIT</b> |



SPARE FLEXIBLE DIP TUBE 100 CM  
FOR SYRINGE

|                   |
|-------------------|
| <b>02.01.3318</b> |
|-------------------|



SPARE HEAD CONNECTION FOR  
TUBE FOR "SERENA" SYRINGE

|                   |
|-------------------|
| <b>02.01.3398</b> |
|-------------------|

## POULTRY SMALLPOX



AUTOMATIC SYRINGE "SERENA"  
3 ML FOR POULTRY SMALLPOX -  
VETERINARY USE

**02.01.3350**



SPARE GASKET AND NEEDLE FOR  
"SERENA" 3 ML FOR POULTRY  
SMALLPOX SYRINGE

**02.01.3351**



SPARE HANDLE FOR "SERENA" 3 ML  
FOR POULTRY SMALLPOX SYRINGE

**02.01.3358**



SPARE CYLINDER FOR "SERENA"  
3 ML FOR POULTRY SMALLPOX  
SYRINGE

**02.01.3353**



AUTOMATIC SYRINGE "SMART" 5  
ML FOR POULTRY SMALLPOX WITH  
DOUBLE NEEDLES - VETERINARY USE

**02.01.4706**



SPARE NEEDLES AND GASKETS FOR  
"SMART" 5 ML POULTRY SMALLPOX  
SYRINGE

**02.01.4720**



SPARE CYLINDER FOR "SMART" 5 ML  
POULTRY SMALLPOX SYRINGE

**02.01.4721**

**SOCOREX**



AUTOMATIC SYRINGE  
"SOCOREX 187" WITH TUBE -  
VETERINARY USE

|                   |               |
|-------------------|---------------|
| <b>02.01.3635</b> | <b>0,3 ML</b> |
| <b>02.01.3600</b> | <b>0,5 ML</b> |
| <b>02.01.3637</b> | <b>1 ML</b>   |

AUTOMATIC DOUBLE SYRINGE  
"SOCOREX 287" WITH TUBE-  
VETERINARY USE

|                   |               |
|-------------------|---------------|
| <b>02.01.3652</b> | <b>0,5 ML</b> |
| <b>02.01.3651</b> | <b>1 ML</b>   |



SPARE LUER LOCK HEAD  
FOR "SOCOREX 187-  
287" SYRINGE

**02.01.3601**



SPARE PART  
CONNECTION  
HEAD WITH TUBE FOR  
"SOCOREX 187-287"  
SYRINGE

**02.01.3602**



SPARE SOCKET FOR  
"SOCOREX 187-287"  
SYRINGE

**02.01.3603**



SPARE DOSAGE DIAL  
FOR "SOCOREX 187-  
287" SYRINGE

**02.01.3604**



LUER LOCK HEAD  
"SOCOREX" DOUBLE  
SYRINGE WITH SINGLE  
EXIT

**02.01.3650**



SPARE SPRING FOR  
"SOCOREX 187-287"  
SYRINGE

**02.01.3608**



SPARE O-RINGS AND  
VALVES FOR "SOCOREX  
187-287"

|                   |               |
|-------------------|---------------|
| <b>02.01.3619</b> | <b>0,3 ML</b> |
| <b>02.01.3620</b> | <b>0,5 ML</b> |
| <b>02.01.3621</b> | <b>1 ML</b>   |



SPARE GLASS BARREL  
WITH PLUNGER FOR  
"SOCOREX 187-287"  
0,5 ML SYRINGE

**02.01.3605**



SPARE GLASS BARREL  
WITH PLUNGER FOR  
"SOCOREX 187"

|                   |               |
|-------------------|---------------|
| <b>02.01.3626</b> | <b>0,3 ML</b> |
| <b>02.01.3628</b> | <b>1 ML</b>   |



SPARE GLASS BARREL  
FOR "SOCOREX 187"

|                   |               |
|-------------------|---------------|
| <b>02.01.3611</b> | <b>0,3 ML</b> |
| <b>02.01.3616</b> | <b>0,5 ML</b> |
| <b>02.01.3609</b> | <b>1 ML</b>   |

## SOCOREX



AUTOMATIC SYRINGE "SOCOREX ULTRA" WITH TUBE - VETERINARY USE

|                   |               |
|-------------------|---------------|
| <b>02.01.4801</b> | <b>0,1 ML</b> |
| <b>02.01.4803</b> | <b>0,3 ML</b> |
| <b>02.01.4805</b> | <b>0,5 ML</b> |
| <b>02.01.4806</b> | <b>1 ML</b>   |



SPARE PLUNGER FOR "SOCOREX ULTRA" SYRINGE

|                   |               |
|-------------------|---------------|
| <b>02.01.4861</b> | <b>0,1 ML</b> |
| <b>02.01.4863</b> | <b>0,3 ML</b> |
| <b>02.01.4865</b> | <b>0,5 ML</b> |
| <b>02.01.4866</b> | <b>1 ML</b>   |



SPARE CYLINDER FOR "SOCOREX ULTRA" SYRINGE

|                   |               |
|-------------------|---------------|
| <b>02.01.4851</b> | <b>0,1 ML</b> |
| <b>02.01.4853</b> | <b>0,3 ML</b> |
| <b>02.01.4855</b> | <b>0,5 ML</b> |
| <b>02.01.4856</b> | <b>1 ML</b>   |



SPARE PLUNGER SEAL FOR "SOCOREX ULTRA" SYRINGE (10)

|                   |               |
|-------------------|---------------|
| <b>02.01.4871</b> | <b>0,1 ML</b> |
| <b>02.01.4873</b> | <b>0,3 ML</b> |



SPARE ENTER RED VALVE FOR "SOCOREX ULTRA" SYRINGE

|                   |                     |
|-------------------|---------------------|
| <b>02.01.4881</b> | <b>0,1 - 0,5 ML</b> |
| <b>02.01.4883</b> | <b>1 ML</b>         |



SPARE EXIT RED VALVE FOR "SOCOREX ULTRA" SYRINGE

|                   |                     |
|-------------------|---------------------|
| <b>02.01.4882</b> | <b>0,1 - 0,5 ML</b> |
| <b>02.01.4884</b> | <b>1 ML</b>         |



SPARE PART CONNECTION HEAD WITH TUBE FOR "SOCOREX 1810 ULTRA" SYRINGE

|                   |
|-------------------|
| <b>02.01.4885</b> |
|-------------------|



ABACUS SHOTS COUNTER SYSTEM FOR "SOCOREX 1810 ULTRA" SYRINGE

|                   |                     |
|-------------------|---------------------|
| <b>02.01.4836</b> | <b>0,1 E 0,2 ML</b> |
| <b>02.01.4837</b> | <b>0,3 E 0,5 ML</b> |



FISH VACCINATION GUIDE -SMALL- FOR "SOCOREX 1810 ULTRA" SYRINGE

|                   |              |
|-------------------|--------------|
| <b>02.01.4831</b> | <b>15 MM</b> |
| <b>02.01.4832</b> | <b>25 MM</b> |
| <b>02.01.4833</b> | <b>45 MM</b> |



SPARE RING FOR FISH GUIDE FOR "SOCOREX 1810 ULTRA" SYRINGE

|                   |              |
|-------------------|--------------|
| <b>02.01.4895</b> | <b>15 MM</b> |
| <b>02.01.4896</b> | <b>25 MM</b> |
| <b>02.01.4897</b> | <b>45 MM</b> |



VETERINARY DISPOSABLE  
HYPODERMIC NEEDLES LL

|            |                |              |
|------------|----------------|--------------|
| 02.03.4510 | Ø 0,45 x 12 mm | 26G x 1/2"   |
| 02.03.4515 | Ø 0,5 x 16 mm  | 25G x 5/8"   |
| 02.03.4520 | Ø 0,6 x 25 mm  | 23G x 1"     |
| 02.03.4525 | Ø 0,7 x 30 mm  | 22G x 1 1/4" |
| 02.03.4530 | Ø 0,7 x 40 mm  | 22G x 1 1/2" |
| 02.03.4541 | Ø 0,8 x 16 mm  | 21G x 5/8"   |
| 02.03.4545 | Ø 0,8 x 25 mm  | 21G x 1"     |
| 02.03.4550 | Ø 0,8 x 40 mm  | 21G x 1 1/2" |
| 02.03.4570 | Ø 1,2 x 40 mm  | 18G x 1 1/2" |
| 02.03.4180 | Ø 1,8 x 40 mm  | 15G x 1 1/2" |



VETERINARY NEEDLES S.S. ROUND BASE  
LL (12)

|            |                |              |
|------------|----------------|--------------|
| 02.14.0706 | Ø 0,7 x 06 mm  | 22G x 1/4"   |
| 02.14.0810 | Ø 0,8 x 10 mm  | 21G x 3/8"   |
| 02.14.1010 | Ø 1,0 x 10 mm  | 19G x 3/8"   |
| 02.14.1015 | Ø 1,0 x 15 mm  | 19G x 5/8"   |
| 02.14.1020 | Ø 1,0 x 20 mm  | 19G x 3/4"   |
| 02.14.1025 | Ø 1,0 x 25 mm  | 19G x 1"     |
| 02.14.1210 | Ø 1,2 x 10 mm  | 18G x 3/8"   |
| 02.14.1212 | Ø 1,2 x 12 mm  | 18G x 1/2"   |
| 02.14.1215 | Ø 1,2 x 15 mm  | 18G x 5/8"   |
| 02.14.1220 | Ø 1,2 x 20 mm  | 18G x 3/4"   |
| 02.14.1225 | Ø 1,2 x 25 mm  | 18G x 1"     |
| 02.14.1230 | Ø 1,2 x 30 mm  | 18G x 1 1/4" |
| 02.14.1240 | Ø 1,2 x 40 mm  | 18G x 1 1/2" |
| 02.14.1510 | Ø 1,5 x 10 mm  | 17G x 3/8"   |
| 02.14.1512 | Ø 1,5 x 12 mm  | 17G x 1/2"   |
| 02.14.1515 | Ø 1,5 x 15 mm  | 17G x 5/8"   |
| 02.14.1520 | Ø 1,5 x 20 mm  | 17G x 3/4"   |
| 02.14.1525 | Ø 1,5 x 25 mm  | 17G x 1"     |
| 02.14.1530 | Ø 1,5 x 30 mm  | 17G x 1 1/4" |
| 02.14.1535 | Ø 1,5 x 35 mm  | 17G x 1 3/8" |
| 02.14.1540 | Ø 1,5 x 40 mm  | 17G x 1 1/2" |
| 02.14.1810 | Ø 1,8 x 10 mm  | 15G x 3/8"   |
| 02.14.1812 | Ø 1,8 x 12 mm  | 15G x 1/2"   |
| 02.14.1815 | Ø 1,8 x 15 mm  | 15G x 5/8"   |
| 02.14.1820 | Ø 1,8 x 20 mm  | 15G x 3/4"   |
| 02.14.1825 | Ø 1,8 x 25 mm  | 15G x 1"     |
| 02.14.1830 | -Ø 1,8 x 30 mm | 15G x 1 1/4" |
| 02.14.1840 | Ø 1,8 x 40 mm  | 15G x 1 1/2" |
| 02.14.2010 | Ø 2,0 x 10 mm  | 14G x 3/8"   |
| 02.14.2012 | Ø 2,0 x 12 mm  | 14G x 1/2"   |
| 02.14.2015 | Ø 2,0 x 15 mm  | 14G x 5/8"   |
| 02.14.2020 | Ø 2,0 x 20 mm  | 14G x 3/4"   |
| 02.14.2040 | Ø 2,0 x 40 mm  | 14G x 1 1/2" |
| 02.14.2225 | Ø 2,2 x 25 mm  | 13G x 1"     |
| 02.14.2230 | Ø 2,2 x 30 mm  | 13G x 1 1/4" |
| 02.14.2240 | Ø 2,2 x 40 mm  | 13G x 1 1/2" |
| 02.14.2425 | Ø 2,4 x 25 mm  | 12G x 1"     |
| 02.14.2430 | Ø 2,4 x 30 mm  | 12G x 1 1/4" |
| 02.14.2440 | Ø 2,4 x 40 mm  | 12G x 1 1/2" |

**FOR POULTRY**



VETERINARY NEEDLES "IABER ECO" S.S.  
SQUARED BASE LL (12)

|            |             |            |
|------------|-------------|------------|
| 02.05.101B | Ø 1x10 mm   | 19G x 3/8" |
| 02.05.108B | Ø 0,8x10 mm | 21G x 3/8" |

**FOR FISH**



VETERINARY NEEDLES "SOCOREX" S.S.  
SQUARED BASE LL (12)

|            |             |            |
|------------|-------------|------------|
| 02.05.403S | Ø 0,5x3 mm  | 25G x 1/8" |
| 02.05.608S | Ø 0,6x8 mm  | 23G x 1/8" |
| 02.05.713S | Ø 0,7x13 mm | 22G x 1/8" |



DRENCHER "IMEX" WITH CANNULA - VETERINARY USE

|                   |               |
|-------------------|---------------|
| <b>02.01.2013</b> | <b>250 ML</b> |
| <b>02.01.2016</b> | <b>400 ML</b> |



DRENCHER "IAMU" 400 ML WITH CANNULA - VETERINARY USE

|                   |
|-------------------|
| <b>02.01.2019</b> |
|-------------------|



SYRINGE "SMART" 100 ML WITH CANNULA AND LUER LOCK - VETERINARY USE

|                   |
|-------------------|
| <b>02.01.2006</b> |
|-------------------|



SPARE CANNULA FOR "IMEX" DRENCHER

|                   |
|-------------------|
| <b>02.01.2043</b> |
|-------------------|



SPARE O-RING FOR "IMEX" DRENCHER 250 ML

|                   |               |
|-------------------|---------------|
| <b>02.01.2508</b> | <b>250 ML</b> |
| <b>02.01.2509</b> | <b>400 ML</b> |



SPARE CANNULA FOR "IAMU" DRENCHER

|                   |
|-------------------|
| <b>02.01.2053</b> |
|-------------------|



SPARE O-RING FOR "IAMU" DRENCHER 400 ML

|                   |
|-------------------|
| <b>02.01.2510</b> |
|-------------------|



DRENCHING CANNULA 120 X 6 MM LUER LOCK

|                   |
|-------------------|
| <b>02.01.3158</b> |
|-------------------|



DRENCHING GUN "GEMA" WITH CANNULA - VETERINARY USE

|                   |               |
|-------------------|---------------|
| <b>02.01.3215</b> | <b>35 ML</b>  |
| <b>02.01.3216</b> | <b>70 ML</b>  |
| <b>02.01.3217</b> | <b>200 ML</b> |
| <b>02.01.3220</b> | <b>300 ML</b> |



MANUAL SEMIAUTOMATIC "GUANFU" 300 ML DRENCHER

|                   |
|-------------------|
| <b>02.01.3225</b> |
|-------------------|



SPARE GASKETS FOR "GEMA" DRENCHING GUN

|                   |               |
|-------------------|---------------|
| <b>02.01.3235</b> | <b>35 ML</b>  |
| <b>02.01.3236</b> | <b>70 ML</b>  |
| <b>02.01.3237</b> | <b>200 ML</b> |
| <b>02.01.3240</b> | <b>300 ML</b> |



SPARE CANNULA FOR DRENCHING GUN "GEMA"

|                   |              |                   |
|-------------------|--------------|-------------------|
| <b>02.01.3245</b> | <b>12 CM</b> | <b>35/70 ML</b>   |
| <b>02.01.3246</b> | <b>20 CM</b> | <b>200/300 ML</b> |



SPARE PARTS KIT "GUANFU" 300 ML

|                   |
|-------------------|
| <b>02.01.3242</b> |
|-------------------|



CANNULA FOR "GUANFU" 300 ML DRENCHER - 20 ML

|                   |
|-------------------|
| <b>02.01.3247</b> |
|-------------------|



AUTOMATIC DRENCHER "SMARTDOSE"  
30 ML WITH CANNULA -  
VETERINARY USE

**02.01.4220**



SPARE CYLINDER FOR  
"SMARTDOSE" 30 ML  
DRENCHER

**02.01.4260**



SPARE CANNULA 12 CM FOR  
"SMARTDOSE" DRENCHER

**02.01.4280**



SPARE O-RING FOR  
"SMARTDOSE" 30 ML  
DRENCHER

**02.01.4270**



EXTENSION WITH LONG BENT  
FEEDING CANNULA FOR  
"SMARTDOSE" DRENCHER

**02.01.4290**



DRENCHING GUN "IAPLAST" 50 ML  
WITH CANNULA - VETERINARY USE

**02.01.4185**



SPARE GASKETS FOR "IAPLAST"  
DRENCHING GUN

**02.01.4190**



SPARE CYLINDER FOR "IAPLAST"  
DRENCHING GUN

**02.01.4195**



SPARE CANNULA WITH  
CONNECTION FOR "IAPLAST"  
DRENCHING GUN

**02.01.4197**



BACKPACK BOTTLE 2,5 L

**02.01.5103**



SPARE CAP FOR BACKPACK  
BOTTLE 2,5 L

**02.01.5122**





FIXED SCALPEL HANDLE (SS)  
- NR. 3

**02.02.0001**



FIXED SCALPEL HANDLE (SS)  
- NR. 4

**02.02.0002**



FOLDING SCALPEL HANDLE  
(SS) - NR. 4

**02.02.0003**



NEEDLE HOLDER  
MATHIEU (SS)

|                   |              |             |
|-------------------|--------------|-------------|
| <b>02.02.0151</b> | <b>17 CM</b> | <b>6,5"</b> |
| <b>02.02.0152</b> | <b>20 CM</b> | <b>8"</b>   |



DISSECTING FORCEPS 1X2  
TEETH (SS)

|                   |              |           |
|-------------------|--------------|-----------|
| <b>02.02.0505</b> | <b>18 CM</b> | <b>7"</b> |
| <b>02.02.0506</b> | <b>20 CM</b> | <b>8"</b> |



ANATOMIC FORCEPS (SS)

|                   |              |           |
|-------------------|--------------|-----------|
| <b>02.02.0509</b> | <b>15 CM</b> | <b>6"</b> |
| <b>02.02.0510</b> | <b>18 CM</b> | <b>7"</b> |
| <b>02.02.0511</b> | <b>20 CM</b> | <b>8"</b> |



KELLY HEMOSTATIC FORCEPS  
CURVED (SS) 18 CM - 7"

**02.02.0520**



KELLY HEMOSTATIC FORCEPS  
STRAIGHT (SS) 18 CM - 7"

**02.02.0521**



KELLY/KOCHER HEMOSTATIC  
FORCEPS 1X2 TEETH CURVED  
(SS) 18 CM - 7"

**02.02.0530**



KELLY/KOCHER HEMOSTATIC  
FORCEPS 1X2 TEETH  
STRAIGHT (SS) 18 CM - 7"

**02.02.0531**



SURGICAL SCISSOR  
STRAIGHT SHARP/BLUNT (SS)  
18 CM - 7"

**02.02.0550**



SURGICAL SCISSOR  
STRAIGHT BLUNT/BLUNT (SS)  
18 CM - 7"

**02.02.0551**



SURGICAL SCISSOR CURVED  
SHARP/BLUNT (SS) 18 CM - 7"

**02.02.0555**



SURGICAL SCISSOR CURVED  
BLUNT/BLUNT (SS) 18 CM - 7"

**02.02.0556**



HOLLOW WARE RECTANGULAR

|                   |                       |
|-------------------|-----------------------|
| <b>02.02.0702</b> | <b>20 X 10 X 6 CM</b> |
| <b>02.02.0703</b> | <b>20 X 10 X 2 CM</b> |



BÜHNER'S NEEDLE (SS)

|                   |                |            |
|-------------------|----------------|------------|
| <b>02.02.0071</b> | <b>15,5 CM</b> | <b>6"</b>  |
| <b>02.02.0072</b> | <b>20 CM</b>   | <b>8"</b>  |
| <b>02.02.0073</b> | <b>30 CM</b>   | <b>12"</b> |



BUHNER'S VAGINAL TAPE  
5 M X 4 MM (IN. Ø 2,5 MM)

**02.03.1350**



BUHNER'S VAGINAL TAPE  
5 M X 7 MM (IN. Ø 6,5 MM)

**02.03.1351**



WOUND NEEDLE GALVANIZED  
10 CM

**02.06.0081**



OBSTETRIC FORCEPS (SS)  
52 CM - 20"

**02.06.0210**



OBSTETRIC HOOK (SS) 54 CM - 21"

**02.06.0221**



EYE HOOK BLUNT 6,5 CM - 2,5"

**02.06.0231**



EYE HOOK SHARP 6,5 CM - 2,5"

**02.06.0232**



CALVING CHAIN WITH ADJUSTABLE  
HANDLES

**02.06.0300**



KREY-SCHOTTLER OBSTETRIC HOOK  
(SS) 20 CM - 8"

**02.06.0304**



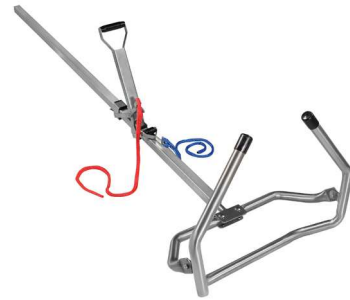
OB WIRE GUIDE 18 CM - 7"

**02.06.0306**



CALF PULLER "VINK"  
- 300 KG

|                   |               |
|-------------------|---------------|
| <b>02.06.0350</b> | <b>160 CM</b> |
| <b>02.06.0351</b> | <b>180 CM</b> |



CALF PULLER "VINK A800 BAYERN"  
180 CM - 500 KG

|                   |
|-------------------|
| <b>02.06.0355</b> |
|-------------------|



CALF PULLER "PAK"

|                   |
|-------------------|
| <b>02.06.0320</b> |
|-------------------|



CALF PULLER "MU" 180 CM - 300 KG

|                   |
|-------------------|
| <b>02.06.0371</b> |
|-------------------|



SPARE PAIR OF CORDS FOR CALF  
PULLER "VINK"

|                   |
|-------------------|
| <b>02.06.0353</b> |
|-------------------|



SPARE PAIR OF CORDS FOR CALF  
PULLER "VINK A800 BAYERN" - RED  
AND BLUE

|                   |
|-------------------|
| <b>02.06.0358</b> |
|-------------------|



CALVING CORD FLAT WEBBING

|                   |               |
|-------------------|---------------|
| <b>02.06.0430</b> | <b>125 CM</b> |
| <b>02.06.0433</b> | <b>190 CM</b> |



PAIR OF UNIVERSAL CALVING  
CORDS FOR CALF PULLER IN NYLON

|                   |              |                |
|-------------------|--------------|----------------|
| <b>02.06.0455</b> | <b>66 CM</b> | <b>Ø 12 MM</b> |
| <b>02.06.0462</b> | <b>43 CM</b> | <b>Ø 12 MM</b> |



PAIR OF CALVING CORDS WITH  
RINGS FOR CALF PULLER IN COTTON  
55 CM - Ø 12 MM

|                   |
|-------------------|
| <b>02.06.0460</b> |
|-------------------|



CALVING CORD SOFT QUALITY FLAT  
WEBBING 130 CM

|                   |
|-------------------|
| <b>02.06.0450</b> |
|-------------------|



METAL MAGNET INTRODUCER -  
HEAD 35 MM

**02.07.0011**



METAL INTRODUCER FOR 35 MM  
BOLUS AND MAGNETS - 70 CM  
WITH GREEN HANDLE

**02.07.0013**



RUMINAL MAGNET - STRONG - IN  
PLASTIC CAGE 35 X 100 MM

|                   |                    |
|-------------------|--------------------|
| <b>02.07.0004</b> | <b>GREEN (X1)</b>  |
| <b>02.07.0006</b> | <b>WHITE (X10)</b> |



RUMINAL MAGNET IN GREEN  
PLASTIC CAGE 35 MM

|                               |
|-------------------------------|
| <b>02.07.0009 - BOX OF 10</b> |
| <b>02.07.0010</b>             |



RUMINAL MAGNET ROUND SHAPE  
IN PLASTIC CAGE 100 X 35 MM

**02.07.0232**



RUMINAL MAGNET "METALNEO" IN  
PLASTIC CASE 85 X 20 MM

**02.07.0221**



RUMINAL MAGNET ROUND SHAPE  
WITHOUT CAGE 80 X 20 MM

**02.07.0231**



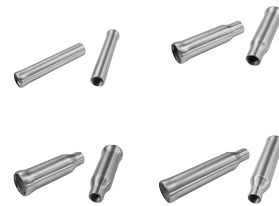
RUMINAL MAGNET WITHOUT CAGE  
60 X 20 MM (BOX OF 12)

**02.07.0235**



BOLUS APPLICATOR -SS- WITH HANDLE 50 CM - THREE HEADS SET Ø 18-21-26 MM

|                   |                       |
|-------------------|-----------------------|
| <b>02.07.0033</b> | <b>PLASTIC HANDLE</b> |
| <b>02.07.0034</b> | <b>METAL HANDLE</b>   |



SPARE HEAD FOR BOLUS APPLICATOR

|                   |                     |
|-------------------|---------------------|
| <b>02.07.0040</b> | <b>Ø15 X 75 MM</b>  |
| <b>02.07.0041</b> | <b>Ø 21 X 75 MM</b> |
| <b>02.07.0042</b> | <b>Ø26 X 75 MM</b>  |
| <b>02.07.0043</b> | <b>Ø26 X 110 MM</b> |
| <b>02.07.0044</b> | <b>Ø35 X 110 MM</b> |



METAL BOLUS APPLICATOR WITH GREEN HANDLE - HEAD Ø 35 MM

**02.07.0030**



BOLUS APPLICATOR -SS- WITH PLASTIC HANDLE AND TEFLON ROD 50 CM - HEAD Ø 26 MM

**02.07.0035**



BOLUS APPLICATOR -SS- WITH PLASTIC HANDLE AND TEFLON ROD 35 CM - HEAD Ø 21 MM

**02.07.0036**



PLASTIC BOLUS APPLICATOR WITHOUT HANDLE 30 CM - HEAD Ø 17 X 40 MM

**02.07.0025**



PLASTIC BOLUS APPLICATOR WITHOUT HANDLE 38 CM - HEAD Ø 26 X 80 MM

**02.07.0026**



TROCAR WITH METAL HANDLE (SS)

|                   |              |
|-------------------|--------------|
| <b>02.07.0051</b> | <b>12 CM</b> |
| <b>02.07.0053</b> | <b>15 CM</b> |
| <b>02.07.0054</b> | <b>9 CM</b>  |



PIGLETS REBREATHING

**02.07.0110**



CUTIMETER SKIN TESTER WITH  
"WATCH" SCREEN

**02.08.0080**



CALF REBREATHING "BRON" MODEL

**02.07.0105**



SPARE SILICONE COVER FOR  
"BRON" CALF REBREATHING

**02.07.0107**

