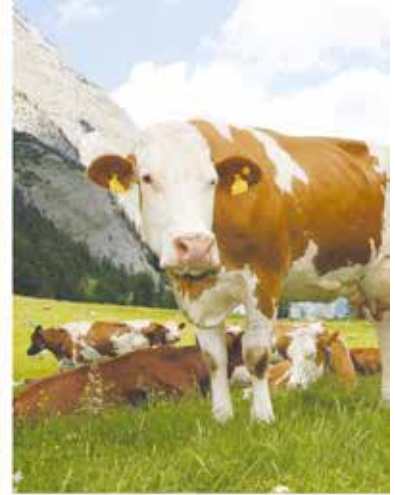


GENERAL CATALOGUE



VETERINARY AND
ZOOTECNICAL
EQUIPMENT

iaber
INNOVATION



	01. IDENTIFICATION	P. 5
	02. VETERINARY EQUIPMENT	P. 16
	03. LIVESTOCK EQUIPMENT	P. 48
	04. MILKING AND FEEDING	P. 64
	05. WEIGHTING AND MEASURING	P. 80
	06. ARTIFICIAL INSEMINATION	P. 84
	07. DRINKING SYSTEM	P. 92
	08. FENCING EQUIPMENT	P. 98



01



IDENTIFICATION





EAR TAG PLIERS "IABTAG"
STANDARD - RED

01.01.1018



EAR TAG PLIERS "IABER" -
HORIZONTAL

01.01.1020



SPARE NEEDLE SCREW FOR EAR
TAG PLIERS

01.01.0002



NEEDLE FOR EAR TAG PLIERS
"IABTAG" RED - UNIVERSAL

01.01.0003



NEEDLE FOR HORIZONTAL EAR
TAG PLIERS - BLACK

01.01.1003



EAR NOTCHER HORIZONTAL -
ROUND HOLE Ø 7 MM SUPERIOR
QUALITY

01.04.0144



EAR TAG "TIP TOP" FOR SHEEP AND
GOATS WITHOUT NUMBERS
(50 PAIRS)

01.01.0080

YELLOW

01.01.0081

ORANGE

01.01.0082

WHITE

01.01.0083

GREEN

01.01.0084

BLUE

01.01.0085

RED



PERMANENT EAR TAG PEN "ZOOFLEX
MARKER" ROUND TIP - BLACK

01.01.1108



EAR TAG PEN "IABER MARKER"
ROUND TIP - BLACK

01.01.1006



EAR NOTCHER HORIZONTAL -
ROUND HOLE Ø 9 MM (7/20")
SUPERIOR QUALITY

01.04.0143



EAR TAG PEN FINE TIP - BLACK

01.01.1008



COMPACT ELECTRONIC RFID READER
"V8 BT"

01.01.4013



ELECTRONIC RFID READER "PETSCAN
250 BT"

01.01.4015



PLASTIC COLLAR NUMBER YELLOW
10

01.01.2310	0
01.01.2311	1
01.01.2312	2
01.01.2313	3
01.01.2314	4
01.01.2315	5
01.01.2316	6
01.01.2317	7
01.01.2318	8
01.01.2319	9



PLASTIC COLLAR NUMBER "DUO"
REPLACEABLE - 6

01.01.2450	0	BLACK
01.01.2451	1	YELLOW
01.01.2452	2	ORANGE
01.01.2453	3	RED
01.01.2454	4	VIOLET
01.01.2455	5	BLUE
01.01.2456	6	GREEN
01.01.2457	7	GREY
01.01.2458	8	BROWN
01.01.2459	9	WHITE



RUBBER LEGBAND NUMBER - 10

01.01.2550	0	BLACK
01.01.2551	1	YELLOW
01.01.2552	2	ORANGE
01.01.2553	3	RED
01.01.2554	4	VIOLET
01.01.2555	5	BLUE
01.01.2556	6	GREEN
01.01.2557	7	GREY
01.01.2558	8	BROWN
01.01.2559	9	WHITE



NYLON COLLAR FOR NUMBERS WITH
PLASTIC BUCKLE 130 CM
GREEN WHITE

01.01.2330



SPARE PINS FOR PLASTIC COLLAR
NUMBER "DUO" - 12

01.01.2463

METAL TOOL TO INSTALL PLASTIC
COLLAR NUMBER "DUO"

01.01.2464



BLUE NYLON LEGBAND FOR RUBBER
NUMBERS

01.01.2560



METAL TATTOO PLIERS -STANDARD
MODEL 4 DIGITS 10 MM (3/8") + 4
SET OF NUMBERS

01.02.0011



SET OF NUMBERS (0-9) FOR TATTOO
PLIERS 10 MM (3/8") 4 STANDARD
DIGITS

01.02.0160

NUMBER FOR TATTOO PLIERS 10 MM
(3/8") 4 STANDARD DIGITS

01.02.0402	0
01.02.0403	1
01.02.0404	2
01.02.0405	3
01.02.0406	4
01.02.0407	5
01.02.0408	6
01.02.0409	7
01.02.0410	8
01.02.0411	9



SET OF LETTERS (26 LETTERS A-Z)
FOR TATTOO PLIERS 10 MM (3/8") 4
STANDARD DIGITS

01.02.0480

LETTER FOR TATTOO PLIERS 10 MM
(3/8") 4 STANDARD DIGITS

01.02.0450	A
01.02.0451	B
01.02.0452	C
01.02.0453	D
01.02.0454	E
01.02.0455	F
01.02.0456	G
01.02.0457	H
01.02.0458	I
01.02.0459	J
01.02.0460	K
01.02.0461	L
01.02.0462	M
01.02.0463	N
01.02.0464	O
01.02.0465	P
01.02.0466	Q
01.02.0467	R
01.02.0468	S
01.02.0469	T
01.02.0470	U
01.02.0471	V
01.02.0472	W
01.02.0473	X
01.02.0474	Y
01.02.0475	Z



METAL TATTOO PLIERS - STANDARD
MODEL 5 DIGITS 8 MM (5/16") + 5
SET OF NUMBERS

01.02.0015



SET OF NUMBERS (0-9) FOR TATTOO
PLIERS 8 MM (5/16")
5 STANDARD DIGITS

01.02.0610

NUMBER FOR TATTOO PLIERS 8 MM
(5/16") 5 STANDARD DIGITS

01.02.0600	0
01.02.0601	1
01.02.0602	2
01.02.0603	3
01.02.0604	4
01.02.0605	5
01.02.0606	6
01.02.0607	7
01.02.0608	8
01.02.0609	9



SET OF LETTERS (26 LETTERS A-Z)
FOR TATTOO PLIERS 8 MM (5/16") 5
STANDARD DIGITS

01.02.0680

LETTER FOR TATTOO PLIERS 8 MM
(5/16") 5 STANDARD DIGITS

01.02.0650	A
01.02.0651	B
01.02.0652	C
01.02.0653	D
01.02.0654	E
01.02.0655	F
01.02.0656	G
01.02.0657	H
01.02.0658	I
01.02.0659	J
01.02.0660	K
01.02.0661	L
01.02.0662	M
01.02.0663	N
01.02.0664	O
01.02.0665	P
01.02.0666	Q
01.02.0667	R
01.02.0668	S
01.02.0669	T
01.02.0670	U
01.02.0671	V
01.02.0672	W
01.02.0673	X
01.02.0674	Y
01.02.0675	Z

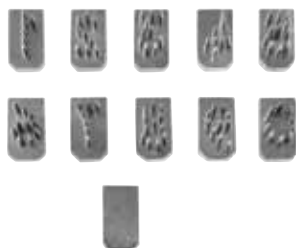


METAL TATTOO PLIERS TWO ROWS
10 DIGITS 8 MM (5/16") - WITHOUT
NUMBERS

01.02.0041

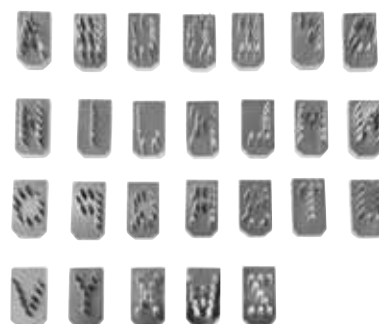
RUBBER STOP SPARE PART FOR
TWO ROWS PLIERS 10 DIGITS 8MM
(5/16")

01.02.0045



NUMBER METAL BASE FOR TATTOO
PLIERS 8 MM (5/16") TWO ROWS
10 DIGITS

01.02.0700	0
01.02.0701	1
01.02.0702	2
01.02.0703	3
01.02.0704	4
01.02.0705	5
01.02.0706	6
01.02.0707	7
01.02.0708	8
01.02.0709	9
01.02.0715	EMPTY CHARACTER



METAL BASE LETTER FOR TATTOO
PLIERS 8 MM (5/16") TWO ROWS
10 DIGITS

01.02.0750	A
01.02.0751	B
01.02.0752	C
01.02.0753	D
01.02.0754	E
01.02.0755	F
01.02.0756	G
01.02.0757	H
01.02.0758	I
01.02.0759	J
01.02.0760	K
01.02.0761	L
01.02.0762	M
01.02.0763	N
01.02.0764	O
01.02.0765	P
01.02.0766	Q
01.02.0767	R
01.02.0768	S
01.02.0769	T
01.02.0770	U
01.02.0771	V
01.02.0772	W
01.02.0773	X
01.02.0774	Y
01.02.0775	Z



METAL TATTOO PLIERS "KETCHUM 101" 7 DIGITS 6 MM (15/64") - WITHOUT NUMBERS

01.02.0046



SET OF LETTERS (26 LETTERS A-Z)
METAL BASE FOR TATTOO PLIERS
"KETCHUM 101" 6 MM (15/64") 7 DIGITS

01.02.0980



SET OF NUMBERS (0-9) METAL BASE FOR TATTOO PLIERS "KETCHUM 101" 6 MM (15/64") 7 DIGITS

01.02.0910

METAL BASE NUMBER FOR TATTOO PLIERS "KETCHUM 101" 6 MM (15/64") 7 DIGITS

01.02.0900	0
01.02.0901	1
01.02.0902	2
01.02.0903	3
01.02.0904	4
01.02.0905	5
01.02.0906	6
01.02.0907	7
01.02.0908	8
01.02.0909	9

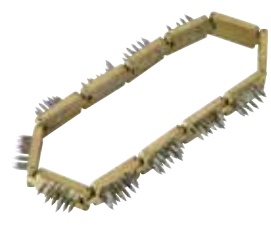
METAL BASE LETTER FOR TATTOO PLIERS "KETCHUM 101" 6 MM (15/64") 7 DIGITS

01.02.0950	A
01.02.0951	B
01.02.0952	C
01.02.0953	D
01.02.0954	E
01.02.0955	F
01.02.0956	G
01.02.0957	H
01.02.0958	I
01.02.0959	J
01.02.0960	K
01.02.0961	L
01.02.0962	M
01.02.0963	N
01.02.0964	O
01.02.0965	P
01.02.0966	Q
01.02.0967	R
01.02.0968	S
01.02.0969	T
01.02.0970	U
01.02.0971	V
01.02.0972	W
01.02.0973	X
01.02.0974	Y
01.02.0975	Z



ROTARY TATTOO PLIERS
10 MM (3/8")

01.02.0034	4 DIGITS
01.02.0035	5 DIGITS



SPARE NUMBER KIT FOR ROTARY
TATTOO PLIERS 4 AND 5 DIGITS

01.02.0039



RAIDEX TATTOOING PASTE
TUBE 60 G

01.02.0511	BLACK
01.02.0521	GREEN



RAIDEX TATTOOING PASTE BOX
600 G

01.02.0512	BLACK
01.02.0522	GREEN



RAIDEX ROLL-ON TATTOOING INK
80 ML

01.02.0526	BLACK
01.02.0527	GREEN



PECKER TATTOOING SPRAY
300 ML BLACK

01.02.0514



KETCHUM TATTOOING PASTE TUBE
140 G GREEN

01.02.0540



KETCHUM TATTOOING PASTE BOX
643 G GREEN

01.02.0542



MARKING STICK "RAIDEX" 57 G

01.03.0001	RED
01.03.0002	GREEN
01.03.0003	BLUE
01.03.0004	VIOLET
01.03.0005	BLACK
01.03.0006	ORANGE
01.03.0007	YELLOW
01.03.0008	WHITE



MARKING STICK "ZOOMARC PLUS" 68 G

01.03.0031	RED
01.03.0032	GREEN
01.03.0033	BLUE
01.03.0034	VIOLET
01.03.0035	BLACK
01.03.0036	ORANGE
01.03.0037	YELLOW



MARKING SPRAY "RAIDEX" 400 ML

01.03.0321	RED
01.03.0322	BLUE
01.03.0323	GREEN
01.03.0324	VIOLET
01.03.0325	BLACK
01.03.0326	ORANGE
01.03.0327	YELLOW



MARKING SPRAY "RAIDEX" 500 ML

01.03.0341	RED
01.03.0342	BLUE
01.03.0343	GREEN
01.03.0344	PURPLE
01.03.0346	ORANGE



MARKING SPRAY FOR SHEEP "RAIDEX" 500 ML

01.03.0351	RED
01.03.0352	BLUE
01.03.0353	GREEN
01.03.0355	BLACK
01.03.0356	ORANGE
01.03.0357	YELLOW



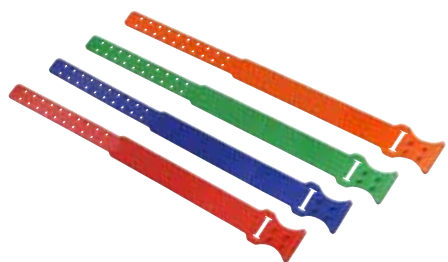
MEAT MARKING PENCIL "RAIDEX" BLUE

01.03.2113



MARKING CRAYON FOR HEAT DETECTION 57 G (10)

06.01.0511	RED
06.01.0512	GREEN
06.01.0513	BLUE
06.01.0516	ORANGE
06.01.0517	YELLOW



PLASTIC COLLAR FOR SHEEP
55 CM

01.04.0022	RED
01.04.0023	BLUE
01.04.0024	GREEN
01.04.0026	ORANGE



COLLAR FOR SHEEP WITH
REINFORCED LEATHER 25 MM
65 CM

01.04.0028	BLUE
01.04.0029	GREEN
01.04.0030	YELLOW



FETLOCK STRAP - IABER

01.04.0045	PINK
01.04.0046	YELLOW
01.04.0047	RED
01.04.0048	BLUE
01.04.0049	GREEN
01.04.0050	ORANGE



VELCRO CATTLE LEGBAND
37 X 5 CM - IABER (5)

01.04.0071	YELLOW
01.04.0072	RED
01.04.0073	BLUE
01.04.0074	GREEN
01.04.0075	ORANGE
01.04.0076	PINK





EAR NOTCHER 15 CM (6") -
V SHAPE

01.04.0101



EAR NOTCHER 15 CM (6") -
U SHAPE

01.04.0102



EAR NOTCHER 15 CM (6") -
M SHAPE

01.04.0105



EAR NOTCHER 15 CM (6") -
RECTANGULAR SHAPE

01.04.0103



EAR NOTCHER 18 CM (7") -
V SHAPE

01.04.0111



EAR NOTCHER 18 CM (7") -
U SHAPE

01.04.0110



EAR NOTCHER 15 CM (6") - ROUND
HOLE 7 MM (17/64")

01.04.0107



EAR NOTCHER 23 CM (9") - ROUND
HOLE 14 MM (9/16")

01.04.0116



SPARE SPRING FOR EAR NOTCHER

01.04.0109	15 CM (6")
01.04.0151	18 CM (7")
01.04.0153	23 CM (9")



EAR NOTCHER HORIZONTAL -
ROUND HOLE Ø 9 MM (7/20")
SUPERIOR QUALITY

01.04.0143



EAR NOTCHER HORIZONTAL -
ROUND HOLE Ø 7 MM SUPERIOR
QUALITY

01.04.0144

02



VETERINARY EQUIPMENT





SYRINGE "SMART"

02.01.2301	5 ML	TRASPARENT
02.01.2302	10 ML	BLACK
02.01.2303	20 ML	GREEN
02.01.2304	30 ML	BLUE
02.01.2305	50 ML	TRANSPARENT
02.01.2306	100 ML	BLUE



SPARE O-RING FOR
SMART SYRINGE

02.01.2551	5 ML
02.01.2552	10 ML
02.01.2553	20 ML
02.01.2554	30 ML
02.01.2555	50 ML
02.01.2556	100 ML



DISPOSABLE PLASTIC FLEXIBLE
EXTENSION TUBE "WARD" FOR
SYRINGE - LUER LOCK

02.01.2613



FLEXIBLE EXTENSION TUBE FOR
SYRINGE - LUER LOCK

02.01.2512



DRENCHING CANNULA 120 X 6 MM
WITH THREAD CONNECTION

02.01.3050



DRENCHING CANNULA 120 X 6 MM
LUER LOCK

02.01.3158



INTRA-RUMINAL NEEDLE LUER LOCK

02.01.3256



DOUBLE PLASTIC NEEDLE FOR
TRANSFER - STERILE

02.04.5509



DOUBLE PLASTIC NEEDLE FOR
TRANSFER - NON STERILE

02.04.5510



TUBE-BOTTLE CONNECTION FOR
SYRINGES WITH TUBE

02.01.3151



REVOLVERMATIK

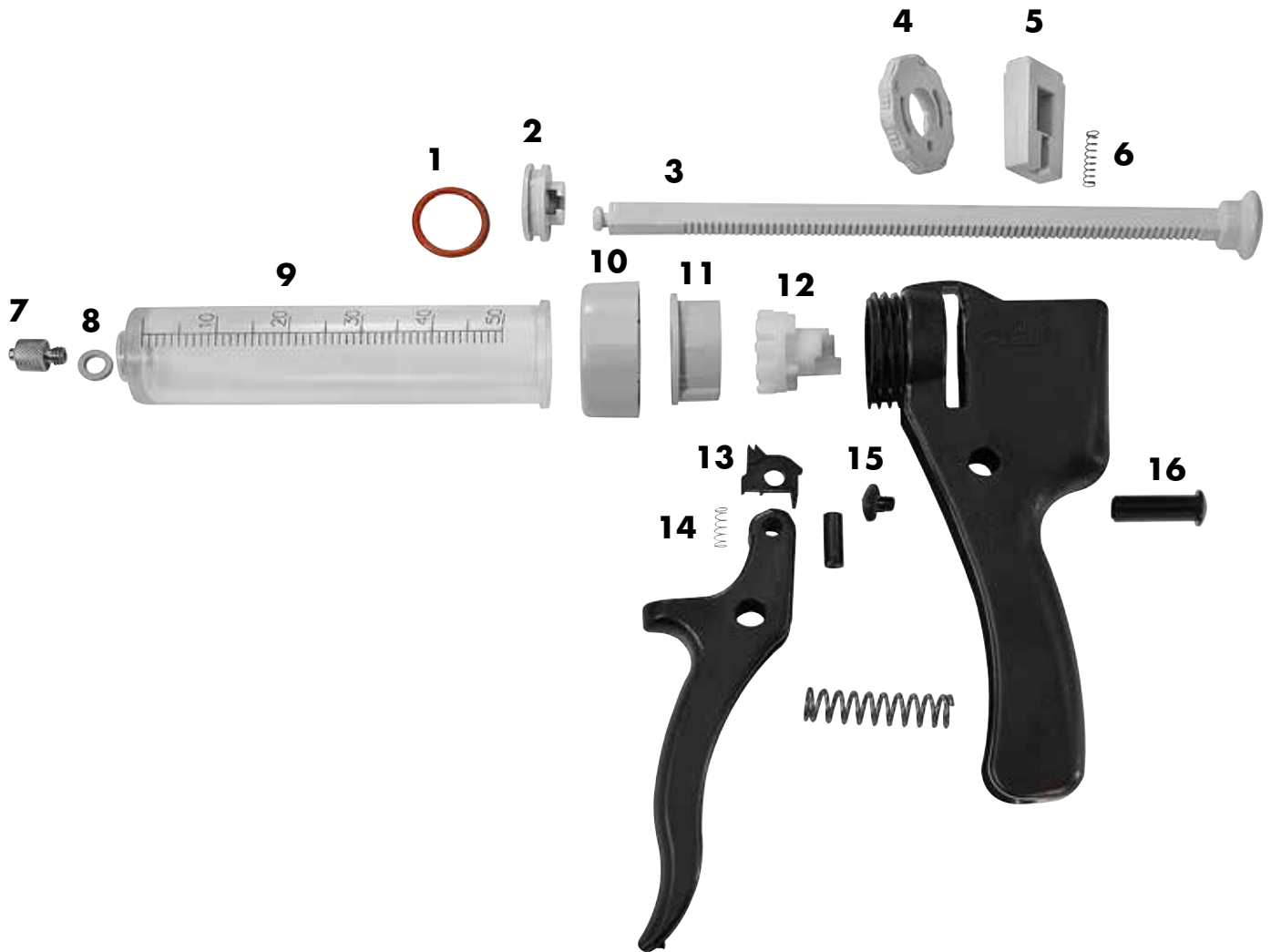


SEMI AUTOMATIC SYRINGE
"REVOLVERMATIK" WITH ADJUSTABLE DOSE
VETERINARY USE

CODE	VOLUME	DOSING
02.01.3001	10 ML	0,25 - 0,5 - 0,75 - 1 - 1,25 ml
02.01.3002	25 ML	0,5 - 1 - 1,5 - 2 - 2,5 ml
02.01.3003	50 ML	1 - 2 - 3 - 4 - 5 ml

LIGHT AND EASY TO HANDLE

MADE WITH STRONG AND DURABLE MATERIAL



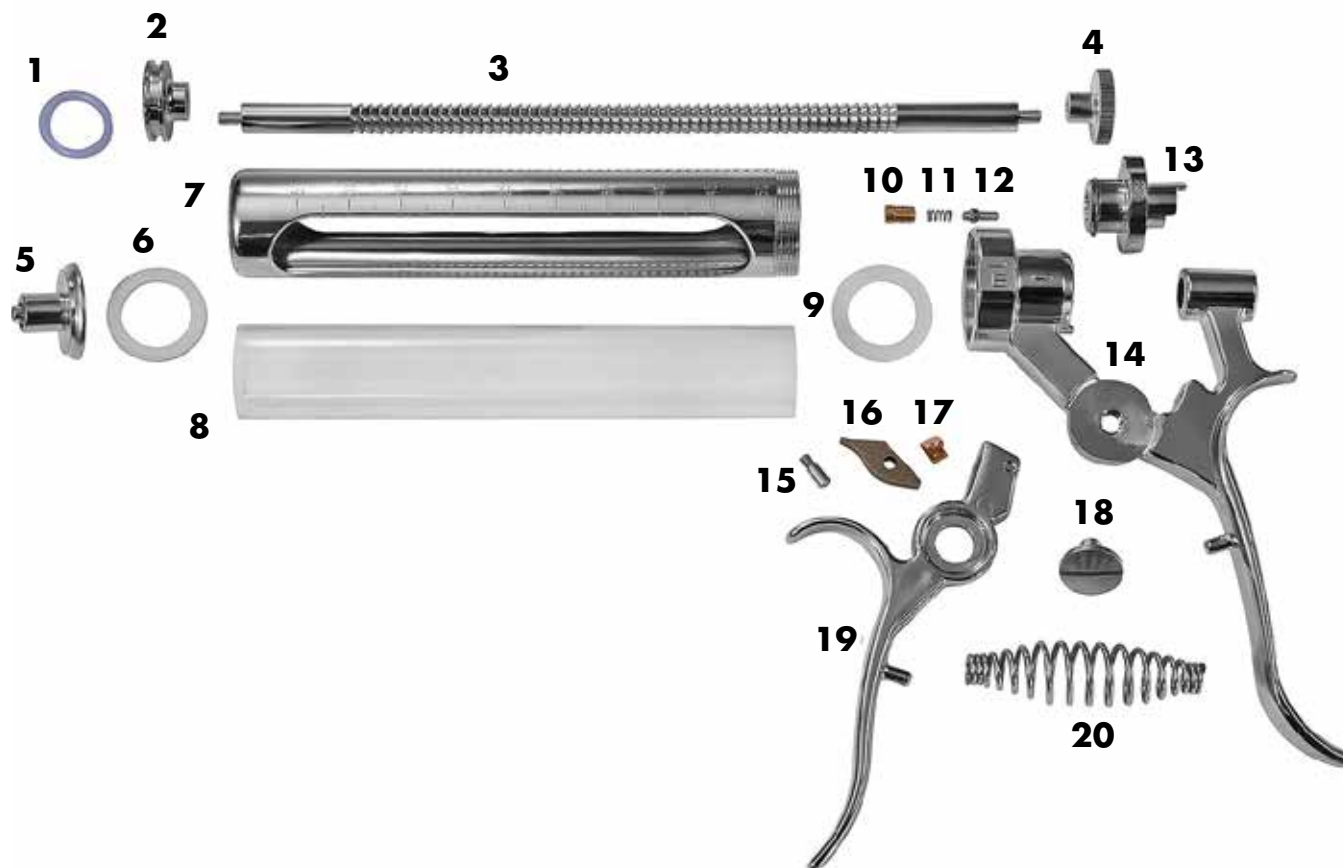
AVAILABLE SPARE PARTS

	10 ML	25 ML	50 ML	
1	02.01.3511	02.01.3512	02.01.3513	SPARE PLUNGER O-RING FOR "REVOLVERMATIK" AND "STRONGVAX" 50 ML SYRINGE
2	02.01.3521	02.01.3522	02.01.3523	SPARE PLUNGER FOR "REVOLVERMATIK" 50 ML SYRINGE
3	02.01.3553	02.01.3553	02.01.3553	SPARE DOSING ROD FOR "REVOLVERMATIK" SYRINGE
4	02.01.3541	02.01.3542	02.01.3543	SPARE DOSAGE DIAL FOR "REVOLVERMATIK" 50 ML SYRINGE
5	02.01.3554	02.01.3554	02.01.3554	SPARE ANTI-REFLUX FOR "REVOLVERMATIK" SYRINGE
6	02.01.3556	02.01.3556	02.01.3556	SPARE ANTI-REFLUX SPRING FOR "REVOLVERMATIK" SYRINGE
7	02.01.3550	02.01.3550	02.01.3550	SPARE LUER LOCK TIP FOR "REVOLVERMATIK" SYRINGE
8	02.01.3551	02.01.3551	02.01.3551	GASKET FOR LL TIP FOR "REVOLVERMATIK" SYRINGE
9	02.01.3501	02.01.3502	02.01.3503	SPARE PLASTIC CYLINDER FOR "REVOLVERMATIK" 50 ML SYRINGE
10	02.01.3531	02.01.3532	02.01.3533	SPARE PLASTIC RING FOR "REVOLVERMATIK" 50 ML SYRINGE
11	02.01.3558	02.01.3558	02.01.3558	SPARE PLUNGER REAR STOPPING PLATE FOR "SMARTMATIK" SYRINGE
12	02.01.3557	02.01.3557	02.01.3557	SPARE INNER DOSAGE DIAL FOR "REVOLVERMATIK" SYRINGE
13	02.01.3552	02.01.3552	02.01.3552	SPARE PUSHING RATCHET + SPRING FOR "REVOLVERMATIK" SYRINGE
14	02.01.3555	02.01.3555	02.01.3555	SPARE PUSHING RATCHET SPRING FOR "REVOLVERMATIK" SYRINGE
15	02.01.3561	02.01.3561	02.01.3561	SPARE CAP FOR HANDLE LINCHPIN FOR "REVOLVERMATIK" SYRINGE
16	02.01.3562	02.01.3562	02.01.3562	SPARE HANDLE LINCHPIN FOR "REVOLVERMATIK" SYRINGE
	02.01.3516	02.01.3517	02.01.3518	SET OF SPARE SPRINGS - O RING REVOLVERMATIK 50 ML

STRONGVAX 50 ML

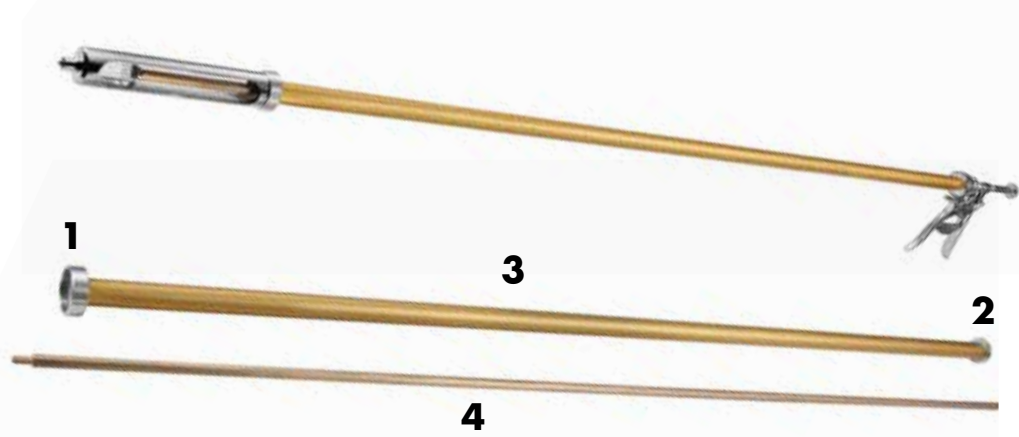


**AS CLEAR AS GLASS,
AS STRONG AS IRON**



AVAILABLE SPARE PARTS

1	02.01.3512	SPARE PLUNGER O-RING FOR "STRONGVAX" 50 ML SYRINGE
1	02.01.2791	RED PISTON O-RING FOR "STRONGVAX" 50 ML SYRINGE
2	02.01.2790	SPARE PLUNGER FOR "STRONGVAX" 50 ML SYRINGE
3	02.01.2789	SPARE PUSHING ROD FOR "STRONGVAX" 50 ML SYRINGE
4	02.01.2781	SPARE REAR KNOB FOR "STRONGVAX" 50 ML SYRINGE
5	02.01.2782	SPARE LUER LOCK TIP FOR "STRONGVAX" 50 ML SYRINGE - COMPATIBLE WITH "MUTO" SYRINGE
6	02.01.2774	SPARE TIP-CYLINDER GASKET FOR "STRONGVAX" 50 ML SYRINGE
7	02.01.2776	SPARE METAL BARREL WITH WIDE SLOT FOR "STRONGVAX" 50 ML SYRINGE
8	02.01.8099	UNBREAKABLE PLASTIC CYLINDER FOR "STRONGVAX" COMPATIBLE WITH "MUTO" SYRINGE
9	02.01.2773	SPARE CYLINDER-HANDLE PLASTIC GASKET FOR "STRONGVAX" 50 ML SYRINGE
10	02.01.2783	SPARE DOSAGE DIAL SCREW FOR "STRONGVAX" 50 ML SYRINGE
11	02.01.2772	SPARE DOSAGE DIAL INNER SPRING FOR "STRONGVAX" 50 ML SYRINGE
12	02.01.2769	SPARE DOSAGE DIAL INNER LINCHPIN FOR "STRONGVAX" 50 ML SYRINGE
13	02.01.2786	SPARE DOSAGE DIAL FOR "STRONGVAX" 50 ML SYRINGE
14	02.01.2784	SPARE BACK HANDLE FOR "STRONGVAX" 50 ML SYRINGE
15	02.01.2788	SPARE PUSHING RATCHET LINCHPIN FOR "STRONGVAX" 50 ML SYRINGE
16	02.01.2785	SPARE PUSHING RATCHET FOR "STRONGVAX" 50 ML SYRINGE
17	02.01.2787	SPARE PUSHING RATCHET SPRING FOR "STROGVAX" 50 ML SYRINGE
18	02.01.2771	SPARE HANDLE SCREW FOR "STRONGVAX" 50 ML SYRINGE
19	02.01.2770	SPARE FRONT HANDLE/TRIGGER FOR "STRONGVAX" 50 ML SYRINGE
20	02.01.2778	HANDLE SPRING FOR "STRONGVAX" 50 ML SYRINGE



	02.01.2888	COMPLETE EXTENSION 95 CM FOR "STRONGVAX" SYRINGE
1	02.01.2881	OUTER CONNECTION - CYLINDER FOR "STRONGVAX" SYRINGE EXTENSION
2	02.01.2880	OUTER CONNECTION - HANDLE FOR "STRONGVAX" SYRINGE EXTENSION
3	02.01.2870	ALLUMINIUM EXTERNAL CYLINDER FOR "STRONGVAX" AND "MUTO" SYRINGE EXTENSION
4	02.01.2871	INNER ROD FOR "STRONGVAX" SYRINGE EXTENSION



SPARE REAR KNURLED KNOB FOR SYRINGE

02.01.2801	BLACK/RED
02.01.2802	BLACK/GREEN
02.01.2803	BLACK/BLUE
02.01.2804	BLACK/YELLOW



SPARE CHROMED CYLINDER FOR "STRONGVAX"

02.01.2810	BLUE
02.01.2811	RED
02.01.2812	GREEN
02.01.2813	YELLOW

EASYVAX METAL



SEMIAUTOMATIC SYRINGE
"EASYVAX METAL" 50 ML WITH TPX
CYLINDER - VETERINARY USE

02.01.2836



SPARE GASKET LUER LOCK AND
PISTON FOR "EASYVAX METAL"
SYRINGE

02.01.2845



SPARE HANDLE SPRING "EASYVAX
METAL" SYRINGE

02.01.2846



SPARE HANDLE SCREW FOR
"EASYVAX METAL" SYRINGE

02.01.2847



SPARE TPX PLASTIC CYLINDER
FOR "EASYVAX METAL"
SYRINGE

02.01.2848



SPARE LUER LOCK TIP FOR
"EASYVAX METAL" SYRINGE

02.01.2849



KIT PIVOT+SPRING+TOOTH FOR
"EASYVAX METAL" SYRINGE

02.01.2855



REAR SCREWED KNOB FOR
PLUNGER COMPRESSION FOR
"EASYVAX METAL"

02.01.2856

HAUPTNER MUTO 50 ML



SEMI-AUTOMATIC SYRINGE HAUPTNER
"MUTO 50 ML" WITH GLASS CYLINDER.
VETERINARY USE

02.01.2905	LUER LOCK TIP
02.01.2910	THREADED TIP



OUTER CYLINDER WITH WIDER
OPENINGS FOR "HAUPTNER MUTO"
SYRINGE - GREY

02.01.2820



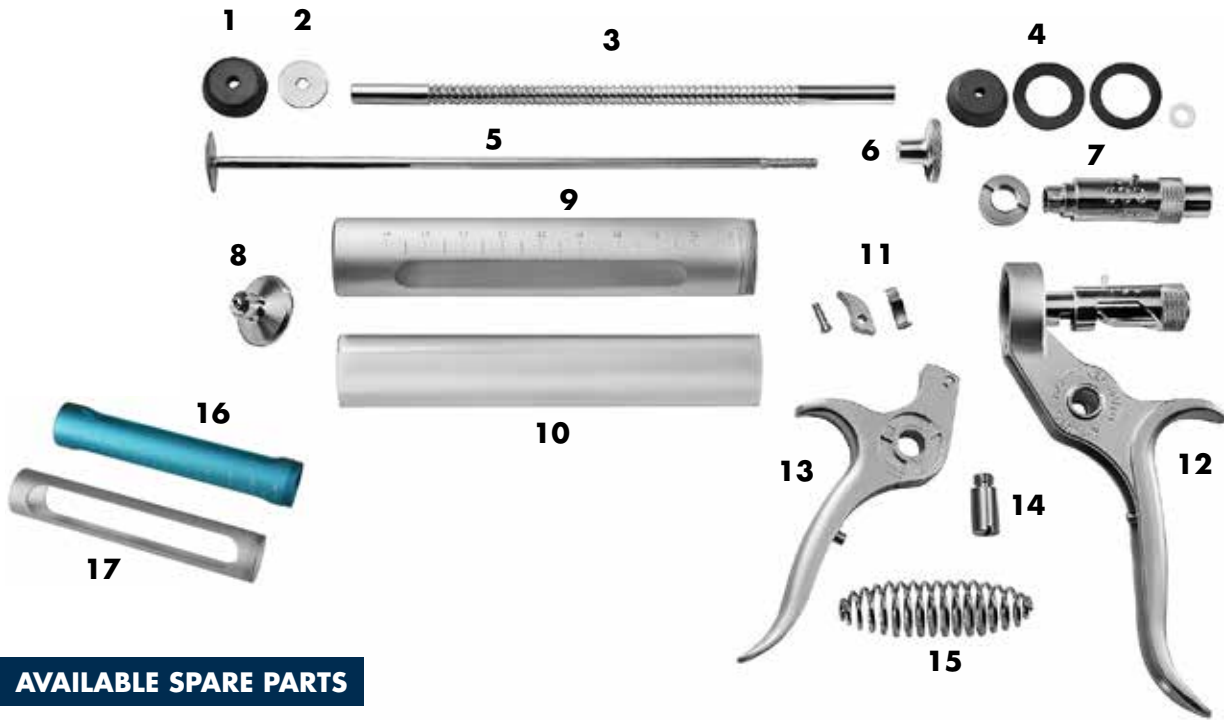
OUTER CYLINDER WITH WIDER
OPENINGS FOR "HAUPTNER MUTO"
SYRINGE - BLUE

02.01.2823



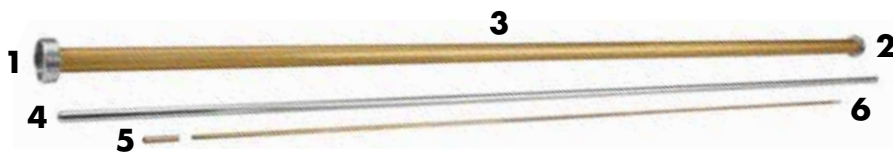
UNBREAKABLE PLASTIC CYLINDER

02.01.8099



AVAILABLE SPARE PARTS

1	02.01.2965	PLUNGER RUBBER SEAL FOR "MUTO 50 ML" SYRINGE
2	02.01.2976	METAL PLATE FOR PLUNGER COMPRESSION
3	02.01.2974	OUTER SERRATED ROD OF THE PLUNGER FOR "STRONGVAX" SYRINGE
4	02.01.2966	SPARE GASKETS FOR "MUTO 50 ML" SYRINGE
5	02.01.2973	INNER ROD OF THE PLUNGER FOR "STRONGVAX" SYRINGE
6	02.01.2977	REAT SCREWED KNOB FOR PLUNGER COMPRESSION FOR "MUTO 50 ML" SYRINGE
7	02.01.2970	DOSING SELECTOR FOR "MUTO 50 ML" SYRINGE
7	02.01.2971	DOSING SELECTOR LINCHPIN FOR "MUTO 50 ML" SYRINGE
8	02.01.2978	CAP WITH LUER LOCK CONNECTION FOR "MUTO 50 ML" SYRINGE
8	02.01.2979	CAP WITH THREADED CONNECTION FOR "MUTO 50 ML" SYRINGE
9	02.01.2969	CYLINDER METAL COVER FOR "MUTO 50 ML" SYRINGE
10	02.01.8099	UNBREAKABLE PLASTIC CYLINDER FOR "STRONGVAX" 50 ML COMPATIBLE WITH "MUTO" SYRINGE
11	02.01.2982	KIT PIVOT+SPRING+TOOTH FOR "MUTO 50 ML" SYRINGE
12	02.01.2980	BACK HANDLE (WITH DOSING SELECTOR) FOR "MUTO 50 ML" SYRINGE
13	02.01.2981	FRONT HANDLE/TRIGGER FOR "MUTO 50 ML" SYRINGE
14	02.01.2968	JOINING SCREW FOR HANDLE "MUTO 50 ML" SYRINGE
15	02.01.2967	SPRING FOR HANDLE "MUTO 50 ML" SYRINGE
16	02.01.2823	OUTER CYLINDER WITH WIDER OPENINGS FOR "HAUPTNER MUTO" SYRINGE - LIGHT BLUE
17	02.01.2820	OUTER CYLINDER WITH WIDER OPENINGS FOR "HAUPTNER MUTO" SYRINGE - GREY



EXTENSION COMPLETE 95 CM FOR "HAUPTNER MUTO" SYRINGE

02.01.2890

1	02.01.2885	OUTER CONNECTION EXTENSION - CYLINDER FOR "MUTO" SYRINGE
2	02.01.2884	OUTER CONNECTION EXTENSION - HANDLE FOR "MUTO SYRINGE"
3	02.01.2870	ALLUMINIUM TUBE POLE FOR "STRONGVAX" - "MUTO" SYRINGE
4	02.01.2872	INNER TUBE ALLUMINIUM CABLE FOR EXTENSION "MUTO" SYRINGE
5	02.01.2874	INNER CONNECTION FOR EXTENSION "MUTO" SYRINGE
6	02.01.2873	INNER POLE FOR "MUTO" SYRINGE EXTENSION

SMARTVAX 50 ML



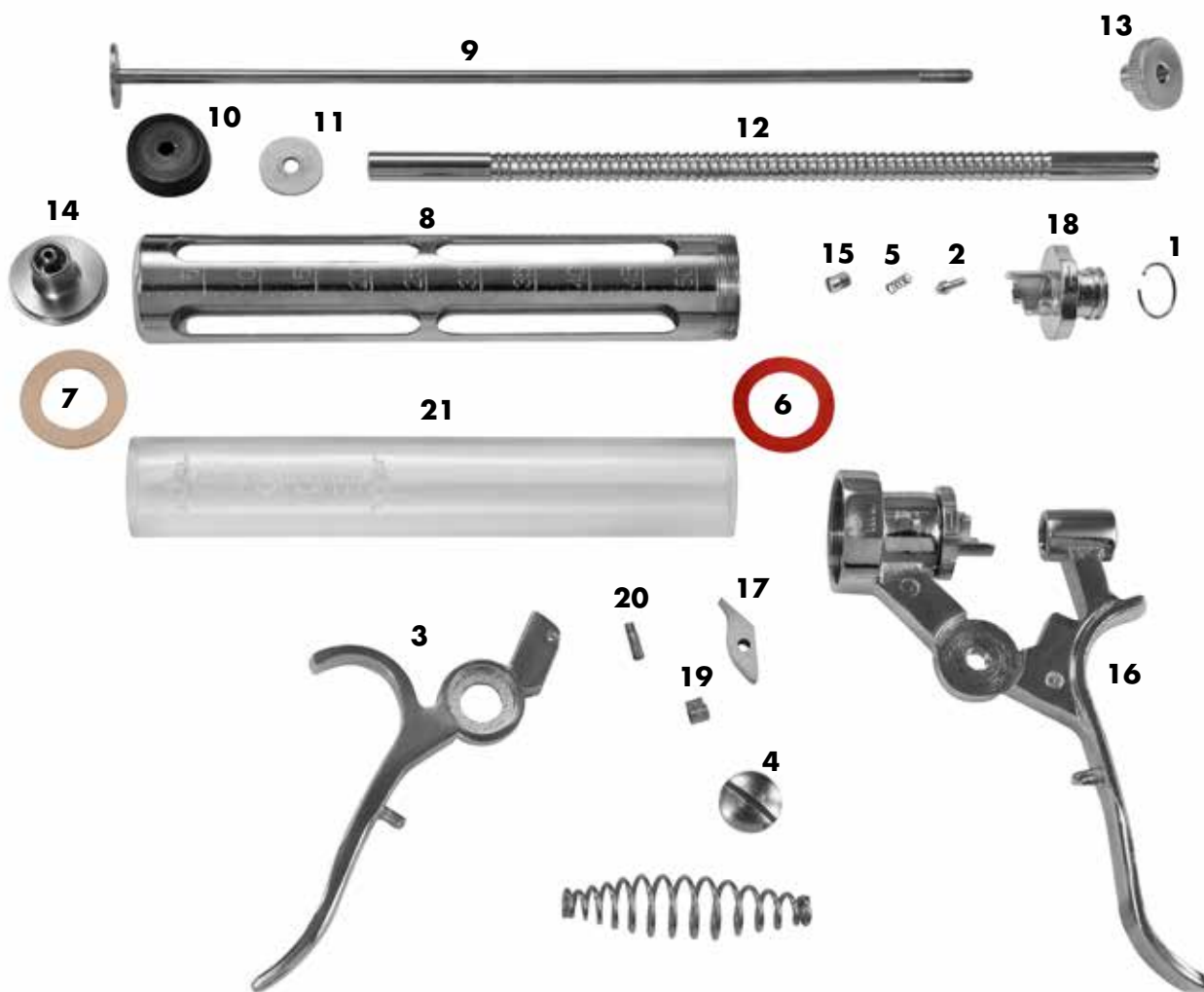
SEMI-AUTOMATIC SYRINGE "SMARTVAX"
50 ML WITH UNBREAKABLE CYLINDER -
VETERINARY USE

02.01.7505



SPARE UNBREAKABLE PLASTIC
CYLINDER FOR "SMARTVAX" 50 ML
SYRINGE

02.01.7760



AVAILABLE SPARE PARTS

1	02.01.7718	SPARE DOSAGE DIAL METAL O-RING FOR "SMARTVAX" 50 ML SYRINGE
2	02.01.7719	SPARE DOSAGE DIAL LINCHPIN FOR "SMARTVAX" 50 ML SYRINGE
3	02.01.7720	SPARE SMALL HANDLE/TRIGGER FOR "SMARTVAX" 50 ML SYRINGE
4	02.01.7721	SPARE HANDLE SCREW FOR "SMARTVAX" 50 ML SYRINGE
5	02.01.7722	SPARE DOSAGE DIAL SPRING FOR "SMARTVAX" 50 ML SYRINGE
6	02.01.7723	SPARE CYLINDER-HANDLE WASHER FOR "SMARTVAX" 50 ML SYRINGE
7	02.01.7725	SPARE TIP-CYLINDER RUBBER O-RING FOR "SMARTVAX" 50 ML SYRINGE
8	02.01.7727	SPARE BARREL METAL FRAME FOR "SMARTVAX" 50 ML SYRINGE
9	02.01.7728	SPARE INNER PISTON SHAFT FOR "SMARTVAX" 50 ML SYRINGE
10	02.01.7730	SPARE PISTON RUBBER SEAL FOR "SMARTVAX" 50 ML SYRINGE
11	02.01.7731	SPARE PISTON HOLDING DISC FOR "SMARTVAX" 50 ML SYRINGE
12	02.01.7732	SPARE OUTER PISTON SHAFT WITH DOSAGE STEP FOR "SMARTVAX" 50 ML SYRINGE
13	02.01.7733	SPARE REAR KNOB FOR "SMARTVAX" 50 ML SYRINGE
14	02.01.7738	SPARE TOP PART WITH LUER LOC ADAPTER FOR "SMARTVAX" 50 ML SYRINGE
15	02.01.7742	SPARE DOSAGE DIAL INNER SCREW FOR "SMARTVAX" 50 ML SYRINGE
16	02.01.7745	SPARE BIG HANDLE FOR "SMARTVAX" 50 ML SYRINGE
17	02.01.7747	SPARE DOSAGE RATCHET FOR "SMARTVAX" 50 ML SYRINGE
18	02.01.7749	SPARE DOSAGE DIAL FOR "SMARTVAX" 50 ML SYRINGE
19	02.01.7751	SPARE RATCHET SPRING FOR "SMARTVAX" 50 ML SYRINGE
20	02.01.7752	SPARE RATCHET SCREW FOR "SMARTVAX" 50 ML SYRINGE
21	02.01.7760	SPARE UNBREAKABLE PLASTIC CYLINDER FOR "SMARTVAX" 50 ML SYRINGE

SMARTMATIK



REPLACEABLE VALVE

AUTOMATIC SYRINGE
"SMARTMATIK" WITH BOTTLE
HOLDER AND ADAPTER

02.01.4442	2 ML
02.01.4445	5 ML



AUTOMATIC SYRINGE
"SMARTMATIK" WITH TUBE -
VETERINARY USE

02.01.4402	2 ML
02.01.4405	5 ML



SPARE LUER LOCK TIP
FOR "SMARTMATIK"
SYRINGE

02.01.4490	
02.01.4518	



SPARE CYLINDER FOR
"SMARTMATIK" 2
ML SYRINGE WITH
BOTTLE HOLDER AND
REPLACEABLE VALVE

02.01.4448	2 ML
02.01.4449	5 ML



SPARE CYLINDER
"SMARTMATIK"
WITH TUBE

02.01.4508	2 ML
02.01.4510	5 ML



SPARE CONNECTION
TUBE FOR "SMARTMATIK"
SYRINGE

02.01.4517	
-------------------	--



SPARE FLEXIBLE DIP TUBE
100 CM FOR SYRINGE

02.01.3318	
-------------------	--



SPARE BOTTLE ADAPTER
FOR "SMARTMATIK"
SYRINGE

02.01.4492	SMALL
02.01.4493	MEDIUM



PROTECTIVE BOTTLE
HOLDER - STANDARD-
FOR "SMARTMATIK"
SYRINGE

02.01.4499	100 ML
02.01.4519	250 ML



SPARE BOTTLE HOLDER
RUBBER INSERT FOR
"SMARTMATIK" AND
"ROTAMATIK" SYRINGE

02.01.4494	
-------------------	--



SPARE SPRINGS
VALVES, O-RING FOR
"SMARTMATIK" WITH
BOTTLE HOLDER

02.01.4482	2 ML
02.01.4485	5 ML



SPARE SPRING,
VALVES, O-RING FOR
"SMARTMATIK" WITH TUBE

02.01.4514	2 ML
02.01.4515	5 ML

ROTAMATIK



REPLACEABLE VALVE

AUTOMATIC "ROTAMATIK" SYRINGE WITH BOTTLE HOLDER

02.01.4642	2 ML
02.01.4645	6 ML



SPARE CYLINDER FOR "ROTAMATIK" SYRINGE WITH BOTTLE HOLDER

02.01.4657	2 ML
02.01.4659	6 ML



SPARE LUER LOCK CONNECTION FOR "ROTAMATIK" SYRINGE

02.01.4670



SPARE SETS OF FRONT AND TOP O-RINGS AND SPRINGS FOR "ROTAMATIK" SYRINGE WITH BOTTLE HOLDER

02.01.4647	2 ML
02.01.4649	6 ML



SPARE BOTTLE ADAPTER FOR "SMARTMATIK" AND "ROTAMATIK" SYRINGE

02.01.4492	SMALL
02.01.4493	MEDIUM



SPARE BOTTLE HOLDER RUBBER INSERT FOR "SMARTMATIK" AND "ROTAMATIK" SYRINGE

02.01.4494



PROTECTIVE BOTTLE HOLDER - STANDARD

02.01.4499	100 ML
02.01.4519	250 ML

SERENA



AUTOMATIC SYRINGE "SERENA"
WITH FRONT BOTTLE HOLDER -
VETERINARY USE

02.01.3330	0,5 ML
02.01.3331	1 ML
02.01.3332	2 ML



AUTOMATIC SYRINGE "SERENA"
WITH REAR 45° BOTTLE HOLDER -
VETERINARY USE

02.01.3348	5 ML
02.01.3344	12 ML



SPARE LUER LOCK TIP FOR "SERENA"
SYRINGE

02.01.3396



SPARE PLASTIC TIP OF THE BOTTLE
HOLDER "SERENA"

02.01.3365



SPARE BOTTLE HOLDER ADAPTER FOR
BOTTLE HOLDER "SERENA"

02.01.3366	BIG
02.01.3367	SMALL



SPARE O-RINGS AND VALVES FOR
"SERENA" SYRINGE

02.01.3380	0,5 ML
02.01.3381	1 ML
02.01.3382	2 ML
02.01.3383	5 ML
02.01.3384	12 ML



SPARE CYLINDER FOR "SERENA"
SYRINGE

02.01.3390	0,5 ML
02.01.3391	1 ML
02.01.3392	2 ML
02.01.3393	5 ML
02.01.3394	12 ML

SERENA



AUTOMATIC SYRINGE "SERENA"
WITH TUBE - VETERINARY USE

02.01.3320	0,5 ML
02.01.3321	1 ML
02.01.3322	2 ML



AUTOMATIC SYRINGE "SERENA"
WITH TUBE - VETERINARY USE

02.01.3323	5 ML
02.01.3324	12 ML



SPARE LUER LOCK TIP FOR "SERENA"
SYRINGE

02.01.3396



SPARE HEAD CONNECTION
FOR TUBE FOR "SERENA" SYRINGE

02.01.3398



SPARE O-RINGS AND VALVES FOR
"SERENA" SYRINGE

02.01.3380	0,5 ML
02.01.3381	1 ML
02.01.3382	2 ML
02.01.3383	5 ML
02.01.3384	12 ML



SPARE CYLINDER FOR "SERENA"
SYRINGE

02.01.3390	0,5 ML
02.01.3391	1 ML
02.01.3392	2 ML
02.01.3393	5 ML
02.01.3394	12 ML



SPARE FLEXIBLE DIP TUBE 100 CM
FOR SYRINGE

02.01.3318

SERENA



AUTOMATIC DOUBLE SYRINGE
"SERENA" WITH TUBE INDEPENDENT
ADJUSTMENT - VETERINARY USE

02.01.3301	0,5 ML
02.01.3304	2 ML



AUTOMATIC DOUBLE SYRINGE
"SERENA" 2 - 2 ML INDEPENDENT
ADJUSTMENT WITH BOTTLE HOLDER

02.01.3352



SPARE GASKETS AND VALVES KIT
FOR AUTOMATIC "SERENA" DOUBLE
SYRINGE

02.01.3311	0,5 ML
02.01.3911	2 ML



SPARE CYLINDER FOR AUTOMATIC
"SERENA" DOUBLE SYRINGE

02.01.3314	0,5 ML
02.01.3914	2 ML



SPARE LL HEAD FOR "SERENA"
DOUBLE SYRINGE WITH DOUBLE EXIT

02.01.3306	29 MM GAP
02.01.3307	23 MM GAP
02.01.3308	SINGLE EXIT



SPARE FLEXIBLE DIP TUBE 100 CM
FOR SYRINGE

02.01.3318



SPARE HEAD CONNECTION FOR
TUBE FOR "SERENA" SYRINGE

02.01.3398

POULTRY SMALLPOX



AUTOMATIC SYRINGE "SERENA"
3 ML FOR POULTRY SMALLPOX -
VETERINARY USE

02.01.3350



SPARE GASKET AND NEEDLE FOR
"SERENA" 3 ML FOR POULTRY
SMALLPOX SYRINGE

02.01.3351



SPARE HANDLE FOR "SERENA" 3 ML
FOR POULTRY SMALLPOX SYRINGE

02.01.3358



SPARE CYLINDER FOR "SERENA"
3 ML FOR POULTRY SMALLPOX
SYRINGE

02.01.3353



AUTOMATIC SYRINGE "SMART" 5
ML FOR POULTRY SMALLPOX WITH
DOUBLE NEEDLES - VETERINARY USE

02.01.4706



SPARE NEEDLES AND GASKETS FOR
"SMART" 5 ML POULTRY SMALLPOX
SYRINGE

02.01.4720



SPARE CYLINDER FOR "SMART" 5 ML
POULTRY SMALLPOX SYRINGE

02.01.4721

SOCOREX



AUTOMATIC SYRINGE
"SOCOREX 187" WITH TUBE -
VETERINARY USE

02.01.3635	0,3 ML
02.01.3600	0,5 ML
02.01.3637	1 ML

AUTOMATIC DOUBLE SYRINGE
"SOCOREX 287" WITH TUBE-
VETERINARY USE

02.01.3652	0,5 ML
02.01.3651	1 ML



SPARE LUER LOCK HEAD
FOR "SOCOREX 187-
287" SYRINGE

02.01.3601



SPARE PART
CONNECTION
HEAD WITH TUBE FOR
"SOCOREX 187-287"
SYRINGE

02.01.3602



SPARE SOCKET FOR
"SOCOREX 187-287"
SYRINGE

02.01.3603



SPARE DOSAGE DIAL
FOR "SOCOREX 187-
287" SYRINGE

02.01.3604



LUER LOCK HEAD
"SOCOREX" DOUBLE
SYRINGE WITH SINGLE
EXIT

02.01.3650



SPARE SPRING FOR
"SOCOREX 187-287"
SYRINGE

02.01.3608



SPARE O-RINGS AND
VALVES FOR "SOCOREX
187-287"

02.01.3619	0,3 ML
02.01.3620	0,5 ML
02.01.3621	1 ML



SPARE GLASS BARREL
WITH PLUNGER FOR
"SOCOREX 187-287"
0,5 ML SYRINGE

02.01.3605



SPARE PLUNGER FOR
"SOCOREX 187"

02.01.3626	0,3 ML
02.01.3628	1 ML



SPARE GLASS BARREL
FOR "SOCOREX 187"

02.01.3611	1 ML
02.01.3616	0,3 ML
02.01.3609	0,5 ML

SOCOREX



AUTOMATIC SYRINGE "SOCOREX ULTRA" WITH TUBE - VETERINARY USE

02.01.4801	0,1 ML
02.01.4803	0,3 ML
02.01.4805	0,5 ML
02.01.4806	1 ML



SPARE PLUNGER FOR "SOCOREX ULTRA" SYRINGE

02.01.4861	0,1 ML
02.01.4863	0,3 ML
02.01.4865	0,5 ML
02.01.4866	1 ML



SPARE CYLINDER FOR "SOCOREX ULTRA" SYRINGE

02.01.4851	0,1 ML
02.01.4853	0,3 ML
02.01.4855	0,5 ML
02.01.4856	1 ML



SPARE PLUNGER SEAL FOR "SOCOREX ULTRA" SYRINGE (10)

02.01.4871	0,1 ML
02.01.4873	0,3 ML



SPARE ENTER RED VALVE FOR "SOCOREX ULTRA" SYRINGE

02.01.4881	0,1 - 0,5 ML
02.01.4883	1 ML



SPARE EXIT RED VALVE FOR "SOCOREX ULTRA" SYRINGE

02.01.4882	0,1 - 0,5 ML
02.01.4884	1 ML



SPARE PART CONNECTION HEAD WITH TUBE FOR "SOCOREX 1810 ULTRA" SYRINGE

02.01.4885



ABACUS SHOTS COUNTER SYSTEM FOR "SOCOREX 1810 ULTRA" SYRINGE

02.01.4836	0,1 E 0,2 ML
02.01.4837	0,3 E 0,5 ML



FISH VACCINATION GUIDE -SMALL- FOR "SOCOREX 1810 ULTRA" SYRINGE

02.01.4831	15 MM
02.01.4832	25 MM
02.01.4833	45 MM



SPARE RING FOR FISH GUIDE FOR "SOCOREX 1810 ULTRA" SYRINGE

02.01.4895	15 MM
02.01.4896	25 MM
02.01.4897	45 MM



KIT BOTTLE HOLDER FOR "ULTRA 1810 SOCOREX" SYRINGE

02.01.4810
02.01.4811 - TUBE



VETERINARY DISPOSABLE HYPODERMIC NEEDLES LL

02.03.4510	Ø 0,45 x 12 mm	26G x 1/2"
02.03.4515	Ø 0,5 x 16 mm	25G x 5/8"
02.03.4520	Ø 0,6 x 25 mm	23G x 1"
02.03.4525	Ø 0,7 x 30 mm	22G x 1 1/4"
02.03.4530	Ø 0,7 x 40 mm	22G x 1 1/2"
02.03.4541	Ø 0,8 x 16 mm	21G x 5/8"
02.03.4545	Ø 0,8 x 25 mm	21G x 1"
02.03.4550	Ø 0,8 x 40 mm	21G x 1 1/2"
02.03.4570	Ø 1,2 x 40 mm	18G x 1 1/2"
02.03.4180	Ø 1,8 x 40 mm	15G x 1 1/2"



VETERINARY NEEDLES S.S. ROUND BASE LL (12)

02.14.0706	Ø 0,7 x 06 mm	22G x 1/4"
02.14.0810	Ø 0,8 x 10 mm	21G x 3/8"
02.14.1010	Ø 1,0 x 10 mm	19G x 3/8"
02.14.1015	Ø 1,0 x 15 mm	19G x 5/8"
02.14.1020	Ø 1,0 x 20 mm	19G x 3/4"
02.14.1025	Ø 1,0 x 25 mm	19G x 1"
02.14.1210	Ø 1,2 x 10 mm	18G x 3/8"
02.14.1212	Ø 1,2 x 12 mm	18G x 1/2"
02.14.1215	Ø 1,2 x 15 mm	18G x 5/8"
02.14.1220	Ø 1,2 x 20 mm	18G x 3/4"
02.14.1225	Ø 1,2 x 25 mm	18G x 1"
02.14.1230	Ø 1,2 x 30 mm	18G x 1 1/4"
02.14.1240	Ø 1,2 x 40 mm	18G x 1 1/2"
02.14.1510	Ø 1,5 x 10 mm	17G x 3/8"
02.14.1512	Ø 1,5 x 12 mm	17G x 1/2"
02.14.1515	Ø 1,5 x 15 mm	17G x 5/8"
02.14.1520	Ø 1,5 x 20 mm	17G x 3/4"
02.14.1525	Ø 1,5 x 25 mm	17G x 1"
02.14.1530	Ø 1,5 x 30 mm	17G x 1 1/4"
02.14.1535	Ø 1,5 x 35 mm	17G x 1 3/8"
02.14.1540	Ø 1,5 x 40 mm	17G x 1 1/2"
02.14.1810	Ø 1,8 x 10 mm	15G x 3/8"
02.14.1812	Ø 1,8 x 12 mm	15G x 1/2"
02.14.1815	Ø 1,8 x 15 mm	15G x 5/8"
02.14.1820	Ø 1,8 x 20 mm	15G x 3/4"
02.14.1825	Ø 1,8 x 25 mm	15G x 1"
02.14.1830	Ø 1,8 x 30 mm	15G x 1 1/4"
02.14.1840	Ø 1,8 x 40 mm	15G x 1 1/2"
02.14.2010	Ø 2,0 x 10 mm	14G x 3/8"
02.14.2012	Ø 2,0 x 12 mm	14G x 1/2"
02.14.2015	Ø 2,0 x 15 mm	14G x 5/8"
02.14.2020	Ø 2,0 x 20 mm	14G x 3/4"
02.14.2040	Ø 2,0 x 40 mm	14G x 1 1/2"
02.14.2225	Ø 2,2 x 25 mm	13G x 1"
02.14.2230	Ø 2,2 x 30 mm	13G x 1 1/4"
02.14.2240	Ø 2,2 x 40 mm	13G x 1 1/2"
02.14.2425	Ø 2,4 x 25 mm	12G x 1"
02.14.2430	Ø 2,4 x 30 mm	12G x 1 1/4"
02.14.2440	Ø 2,4 x 40 mm	12G x 1 1/2"



VETERINARY NEEDLES SQUARE BASE LL (12)

02.05.0508	Ø 0,5 x 8 mm	25G x 1/3"
------------	--------------	------------

FOR POULTRY



VETERINARY NEEDLES "IABER ECO" S.S. SQUARED BASE LL (12)

02.05.101B	Ø 1x10 mm	19G x 3/8"
02.05.108B	Ø 0,8x10 mm	21G x 3/8"

FOR FISH



VETERINARY NEEDLES "SOCOREX" S.S. SQUARED BASE LL (12)

02.05.403S	Ø 0,5x3 mm	25G x 1/8"
02.05.608S	Ø 0,6x8 mm	23G x 1/3"
02.05.713S	Ø 0,7x13 mm	22G x 1/2"



DRENCHER "IMEX" WITH CANNULA - VETERINARY USE

02.01.2013	250 ML
02.01.2016	400 ML



DRENCHER "IAMU" 400 ML WITH CANNULA - VETERINARY USE

02.01.2019



SYRINGE "SMART" 100 ML WITH CANNULA AND LUER LOCK - VETERINARY USE

02.01.2006



SPARE CANNULA FOR "IMEX" DRENCHER

02.01.2043



SPARE O-RING FOR "IMEX" DRENCHER 250 ML

02.01.2508	250 ML
02.01.2509	400 ML



SPARE CANNULA FOR "IAMU" DRENCHER

02.01.2053



SPARE O-RING FOR "IAMU" DRENCHER 400 ML

02.01.2510



DRENCHING CANNULA 120 X 6 MM LUER LOCK

02.01.3158



DRENCHING GUN "GEMA" WITH CANNULA - VETERINARY USE

02.01.3215	35 ML
02.01.3216	70 ML
02.01.3217	200 ML
02.01.3220	300 ML



MANUAL SEMIAUTOMATIC "GUANFU" 300 ML DRENCHER

02.01.3225



SPARE GASKETS FOR "GEMA" DRENCHING GUN

02.01.3235	35 ML
02.01.3236	70 ML
02.01.3237	200 ML
02.01.3240	300 ML



SPARE CANNULA FOR DRENCHING GUN "GEMA"

02.01.3245	12 CM	35/70 ML
02.01.3246	20 CM	200/300 ML



SPARE PARTS KIT "GUANFU" 300 ML

02.01.3242



CANNULA FOR "GUANFU" 300 ML DRENCHER - 20 ML

02.01.3247



AUTOMATIC "SMARTDOSE" DRENCHER
30 ML WITH CANNULA

02.01.4220	30 ML
02.01.4225	60 ML



AUTOMATIC "SMARTDOSE" DRENCHER
30 ML POUR-ON

02.01.4242



SPARE CYLINDER FOR
"SMARTDOSE" 30 ML
DRENCHER

02.01.4260



SPARE CANNULA 12 CM FOR
"SMARTDOSE" DRENCHER

02.01.4280



SPARE O-RING FOR
"SMARTDOSE" 30 ML
DRENCHER

02.01.4270



EXTENSION WITH LONG BENT
FEEDING CANNULA FOR
"SMARTDOSE" DRENCHER

02.01.4290



DRENCHING GUN "IAPLAST" 50 ML
WITH CANNULA - VETERINARY USE

02.01.4185



SPARE GASKETS FOR "IAPLAST"
DRENCHING GUN

02.01.4190



SPARE CYLINDER FOR "IAPLAST"
DRENCHING GUN

02.01.4195



SPARE CANNULA WITH
CONNECTION FOR "IAPLAST"
DRENCHING GUN

02.01.4197



BACKPACK BOTTLE 2,5 L

02.01.5103



SPARE CAP FOR BACKPACK
BOTTLE 2,5 L

02.01.5122



FIXED SCALPEL HANDLE (SS)
- NR. 3

02.02.0001



FIXED SCALPEL HANDLE (SS)
- NR. 4

02.02.0002



FOLDING SCALPEL HANDLE
(SS) - NR. 4

02.02.0003



NEEDLE HOLDER
MATHIEU (SS)

02.02.0151	17 CM	6,5"
02.02.0152	20 CM	8"



DISSECTING FORCEPS 1X2
TEETH (SS)

02.02.0505	18 CM	7"
02.02.0506	20 CM	8"



ANATOMIC FORCEPS (SS)

02.02.0509	15 CM	6"
02.02.0510	18 CM	7"
02.02.0511	20 CM	8"



KELLY HEMOSTATIC FORCEPS
CURVED (SS) 18 CM - 7"

02.02.0520



KELLY HEMOSTATIC FORCEPS
STRAIGHT (SS) 18 CM - 7"

02.02.0521



KELLY/KOCHER HEMOSTATIC
FORCEPS 1X2 TEETH CURVED
(SS) 18 CM - 7"

02.02.0530



KELLY/KOCHER HEMOSTATIC
FORCEPS 1X2 TEETH
STRAIGHT (SS) 18 CM - 7"

02.02.0531



SURGICAL SCISSOR
STRAIGHT SHARP/BLUNT (SS)
18 CM - 7"

02.02.0550



SURGICAL SCISSOR
STRAIGHT BLUNT/BLUNT (SS)
18 CM - 7"

02.02.0551



SURGICAL SCISSOR CURVED
SHARP/BLUNT (SS) 18 CM - 7"

02.02.0555



SURGICAL SCISSOR CURVED
BLUNT/BLUNT (SS) 18 CM - 7"

02.02.0556



HOLLOW WARE RECTANGULAR

02.02.0702	20 X 10 X 6 CM
02.02.0703	20 X 10 X 2 CM



BÜHNER'S NEEDLE (SS)

02.02.0071	15,5 CM	6"
02.02.0072	20 CM	8"
02.02.0073	30 CM	12"



BUHNER'S VAGINAL TAPE
5 M X 4 MM (IN. Ø 2,5 MM)

02.03.1350



BUHNER'S VAGINAL TAPE
5 M X 7 MM (IN. Ø 6,5 MM)

02.03.1351



WOUND NEEDLE GALVANIZED
10 CM

02.06.0081



OBSTETRIC FORCEPS (SS)
52 CM - 20"

02.06.0210



OBSTETRIC HOOK (SS) 54 CM - 21"

02.06.0221



EYE HOOK BLUNT 6,5 CM - 2,5"

02.06.0231



EYE HOOK SHARP 6,5 CM - 2,5"

02.06.0232



CALVING CHAIN WITH ADJUSTABLE
HANDLES

02.06.0300



KREY-SCHOTTLER OBSTETRIC HOOK
(SS) 20 CM - 8"

02.06.0304



OB WIRE GUIDE 18 CM - 7"

02.06.0306



CALF PULLER "VINK"
- 300 KG

02.06.0350	160 CM
02.06.0351	180 CM



CALF PULLER "VINK A800 BAYERN"
180 CM - 500 KG

02.06.0355



CALF PULLER "PAK"

02.06.0320



CALF PULLER "MU" 180 CM - 300 KG

02.06.0371



SPARE PAIR OF CORDS FOR CALF
PULLER "VINK"

02.06.0353



SPARE PAIR OF CORDS FOR CALF
PULLER "VINK A800 BAYERN" - RED
AND BLUE

02.06.0358



CALVING CORD FLAT WEBBING

02.06.0430	125 CM
02.06.0433	190 CM



PAIR OF UNIVERSAL CALVING
CORDS FOR CALF PULLER IN NYLON

02.06.0455	66 CM	Ø 12 MM
02.06.0462	43 CM	Ø 12 MM



PAIR OF CALVING CORDS WITH
RINGS FOR CALF PULLER IN COTTON
55 CM - Ø 12 MM

02.06.0460



CALVING CORD SOFT QUALITY FLAT
WEBBING 130 CM

02.06.0450



METAL MAGNET INTRODUCER -
HEAD 35 MM

02.07.0011



METAL INTRODUCER FOR 35 MM
BOLUS AND MAGNETS - 70 CM
WITH GREEN HANDLE

02.07.0013



RUMINAL MAGNET - STRONG - IN
PLASTIC CAGE 35 X 100 MM

02.07.0004	GREEN (X1)
02.07.0006	WHITE (X10)



RUMINAL MAGNET IN GREEN
PLASTIC CAGE 35 MM

02.07.0010	X 1
02.07.0009	X 10



RUMINAL MAGNET ROUND SHAPE
IN PLASTIC CAGE 100 X 35 MM

02.07.0232



RUMINAL MAGNET "METALNEO" IN
PLASTIC CAGE 85 X 20 MM

02.07.0221



RUMINAL MAGNET ROUND SHAPE
WITHOUT CAGE 80 X 20 MM

02.07.0231	X 1
02.07.0230	X 15



RUMINAL MAGNET WITHOUT CAGE
60 X 20 MM (BOX OF 12)

02.07.0235



BOLUS APPLICATOR -SS- WITH HANDLE 50 CM - THREE HEADS SET Ø 18-21-26 MM

02.07.0033	PLASTIC HANDLE
02.07.0034	METAL HANDLE



SPARE HEAD FOR BOLUS APPLICATOR

02.07.0040	Ø15 X 75 MM
02.07.0041	Ø 21 X 75 MM
02.07.0042	Ø26 X 75 MM
02.07.0043	Ø26 X 110 MM
02.07.0044	Ø35 X 110 MM



METAL BOLUS APPLICATOR WITH GREEN HANDLE - HEAD Ø 35 MM

02.07.0030



BOLUS APPLICATOR -SS- WITH PLASTIC HANDLE AND TEFLON ROD 50 CM - HEAD Ø 26 MM

02.07.0035



BOLUS APPLICATOR -SS- WITH PLASTIC HANDLE AND TEFLON ROD 35 CM - HEAD Ø 21 MM

02.07.0036



PLASTIC BOLUS APPLICATOR WITHOUT HANDLE 30 CM - HEAD Ø 17 X 40 MM

02.07.0025



PLASTIC BOLUS APPLICATOR WITHOUT HANDLE 38 CM - HEAD Ø 26 X 80 MM

02.07.0026



TROCAR WITH METAL HANDLE (SS)

02.07.0051	12 CM
02.07.0053	15 CM
02.07.0054	9 CM



PIGLETS REBREATHING

02.07.0110



CALF REBREATHING "BRON" MODEL

02.07.0105



SPARE SILICONE COVER FOR
"BRON" CALF REBREATHING

02.07.0107



CUTIMETER SKIN TESTER WITH
"WATCH" SCREEN

02.08.0080



VETERINARY SS NEEDLE SQUARE
BASE LL FOR TUBERCOLINE (12)
Ø 0,7 x 4 mm - 22G x 1/6"

02.08.0010



SPARE GLASS CILYNDER FOR
"HENKE-JECT" SYRINGE 1,8 ML FOR
TUBERCOLINE

02.08.0050



03



LIVESTOCK EQUIPMENT





BULL HOLDER HARMS MODEL (SS) 19
CM - 7,5"

03.01.0002



BULL HOLDER WITH SPRING (SS) 13
CM - 5"

03.01.0005



BULL HOLDER LOCKING HOOK &
CHAIN (SS) 20 CM - 8"

03.01.0008



BULL HOLDER LONG HANDLE 47
CM - 19"

03.01.0006



STANDARD BULL NOSE RING (SS)

03.01.0069	5 CM	2"
03.01.0071	7 CM	3"
03.01.0072	6 CM	2,5"



BULL NOSE RING APPLICATOR

03.01.0085



COW LIFTING FRAME "MU IABER"
1000 KG

03.01.0412



PLASTIC SORTING PANEL FOR PIGS - RED

03.01.0155	94 X 76 CM
03.01.0156	120 X 76 CM



PLASTIC SORTING PANEL FOR PIGS - SUPERIOR QUALITY - GREEN
80 X 92 CM

03.01.0157



FLAP FOR PIGS

03.01.0144



LONG PADDLE FOR PIGS

03.01.0145



PIG HOLDER WITH LONG METAL HANDLE AND LOCK 60 CM - 24"

03.01.0100



PIG HOLDER -SMALL- WITH HANDLE

03.01.0103



PIG HOLDER -SMALL- WITH PLASTIC HANDLE

03.01.0113



ELECTRIC PROD VOICED WITH
BUTTON ("C" TYPE BATTERY - NOT
INCLUDED)

03.01.0210	50 CM	20"
03.01.0220	70 CM	28"
03.01.0230	90 CM	35"
03.01.0240	120 CM	47"



ELECTRIC PROD IABER WITH
REMOVABLE AND RECHARGEABLE
BATTERY 96 CM - FLEXIBLE SHAFT 71
CM (MICRO-USB CABLE
NOT INCLUDED)

03.01.0318

RECHARGEABLE BATTERY FOR IABER
ELECTRIC PROD

03.01.0320



ELECTRIC PROD "A380" WITH
BUTTON AND RECHARGEABLE
BATTERY 2200 MAH - FLEXIBLE SHAFT
62 CM

03.01.0375



ELECTRIC PROD WITH REMOVABLE
AND RECHARGEABLE BATTERY
(CABLE INCLUDED)

03.01.0322	58 CM
03.01.0323	71 CM



FLEXIBLE SHAFT FOR
ELECTRIC PROD "A380"

03.01.0380	62 CM
03.01.0381	78 CM



SPARE REACHARGEABLE
BATTERY FOR ELECTRIC
PROD "A380" 2200 MAH

03.01.0385



FLEXIBLE SHAFT FOR
ELECTRIC PROD

03.01.0342	58 CM
03.01.0343	71 CM



RECHARGEABLE BATTERY
FOR ELECTRIC PROD
(0322/3)

03.01.0351



HOOF CUTTING DISC
PROFESSIONAL "IABER" 6 BLADES 3
MM (4 SIDES) Ø 115 MM - 4,5"

03.02.0232	3 MM BLADES
03.02.0233	2 MM BLADES



SPARE BLADE FOR
HOOF CUTTING DISC
PROFESSIONAL "IABER"
6 BLADES

03.02.0247	3 MM
03.02.0248	2 MM



SPARE SCREW FOR
HOOF CUTTING DISC
PROFESSIONAL "IABER"
6 BLADES

03.02.0254



HOOF CUTTING DISC "IABER DL" 7
BLADES (2 SIDES) Ø 100 MM - 4"

03.02.0236	HOLE 16 MM
03.02.0238	HOLE 22 MM



SPARE BLADES AND SCREWS FOR
HOOF CUTTING DISC "IABER DL"
(2 SIDES) (7)

03.02.0249



HOOF CUTTING DISC "3CUT" 3
BLADES (2 SIDES) Ø 120 MM - 4,7"

03.02.0243



HOOF CUTTING DISC "6CUT" 6
BLADES (2 SIDES) Ø 120 MM - 4,7"

03.02.0244
03.02.0242 - IABER



SPARE BLADES AND SCREWS FOR
HOOF CUTTING DISC "3CUT" (2
SIDES) (3)

03.02.0246
03.02.0257 - IABER



ABRASIVE HOOF DISC "PHILIPSEN"
DOUBLE SIDE (GRAIN 30 FRONT - 10
REAR) Ø 115 MM - 4,5"

03.02.0260



ABRASIVE HOOF DISC STANDARD
DOUBLE SIDE (COARSE GRAIN) Ø
115 MM - 4,5"

03.02.0268



ABRASIVE HOOF DISC "ZEC -
SEMIFLEX" SILICON CARBIDE (GRAIN
16) Ø 115 MM - 4,5"

03.02.0275



WOODEN HOOF BLOCK (10)

03.02.0436



BLUE PLASTIC HOOF BLOCK - SOFT
14 MM

03.02.0440



ORANGE PLASTIC HOOF BLOCK -
HARD 14 MM

03.02.0441



TWO-COMPONENT GLUE FOR
HOOF BLOCK "BLOCKBOND" 200
ML - F-SYSTEM FITTING

03.02.0400



TWO-COMPONENT GLUE FOR
HOOF BLOCK "PODOS WINTER"
200 ML - F-SYSTEM FITTING

03.02.0405



TWO-COMPONENT GLUE FOR
HOOF BLOCK "PODOS EASY LOCK"
200 ML - F-SYSTEM FITTING

03.02.0406



DOSING GUN FOR TWO-
COMPONENT HOOF GLUE 200 ML
TUBE

03.02.0419



MIXING TIP FOR TWO-COMPONENT
HOOF GLUE 200 ML TUBE - THREAD
FITTING (10)

03.02.0412



MIXING TIP FOR TWO-COMPONENT
HOOF GLUE 200 ML TUBE -
F-SYSTEM FITTING (10)

03.02.0413

03.02.0414 - BLOCKBOND



COHESIVE BANDAGE -
10 CM X 4,5 M - VETERINARY USE

03.02.0481	RED
03.02.0482	GREEN
03.02.0483	BLUE
03.02.0484	DARK BLUE
03.02.0485	BLACK
03.02.0486	PINK
03.02.0487	YELLOW



COHESIVE BANDAGE WITH PAWS -
5 CM X 4,5 M - VETERINARY USE

03.02.0636	PINK
03.02.0639	BLUE
03.02.0640	YELLOW



CLAW TAPE IN FABRIC "COROTEX"
SINGLE-SIDED ADHESIVE -BLACK
25 M X 50 MM

03.02.0462



CLAW TAPE IN FABRIC "CLAWTAPE"
DOUBLE-SIDED ADHESIVE- BLACK
25 M X 45 MM

03.02.0464





HOOF KNIFE "STANDARD" WIDE BLADE
WOODEN HANDLE

03.02.0001	RIGHT
03.02.0002	LEFT
03.02.0003	DOUBLE BLADE - RIGHT
03.02.0004	DOUBLE BLADE - LEFT



HOOF KNIFE "STANDARD" NARROW
BLADE WOODEN HANDLE

03.02.0021	RIGHT
03.02.0022	LEFT
03.02.0024	DOUBLE BLADE - RIGHT
03.02.0025	DOUBLE BLADE - LEFT



HOOF KNIFE CURVED WIDE BLADE
LONG WOODEN HANDLE, "THE
KNIFE" MODEL

03.02.0010	RIGHT
03.02.0011	LEFT
03.02.0012	DOUBLE



HOOF KNIFE "SUPERIOR" WIDE BLADE
WOODEN HANDLE

03.02.0031	RIGHT
03.02.0032	LEFT
03.02.0034	DOUBLE BLADE - RIGHT



HOOF KNIFE "SUPERIOR" NARROW
BLADE WOODEN HANDLE

03.02.0030	RIGHT
03.02.0033	LEFT



HOOF KNIFE "COLOR-PRO"
NARROW BLADE WOODEN HANDLE

03.02.0040	RIGHT
03.02.0041	LEFT
03.02.0042	DOUBLE BLADE - RIGHT



HOOF KNIFE "AESCULAP" WIDE
BLADE WOODEN HANDLE

03.02.0026	RIGHT
03.02.0027	LEFT
03.02.0028	DOUBLE



HOOF KNIFE "AESCULAP" NARROW
BLADE WOODEN HANDLE

03.02.0015	RIGHT
03.02.0016	LEFT
03.02.0017	DOUBLE



HOOF KNIFE "ICAR" FIXED BLADE
WOODEN HANDLE

03.02.0035	RIGHT
03.02.0036	LEFT



HOOF KNIFE RING BLADE
WOODEN HANDLE

03.02.0050



HOOF KNIFE LOOP WIDE
BLADE WOODEN HANDLE

03.02.0052



HOOF KNIFE LOOP NARROW
BLADE WOODEN HANDLE

03.02.0054



FOLDING HOOF KNIFE
WOODEN HANDLE
6 CM - 2,5"

03.02.0076



HORSE RASP (WITHOUT HANDLE)
36 CM - 14"

03.02.0145



HORSE RASP WITH RED PLASTIC HANDLE
36 CM - 14"

03.02.0149



HORSE RASP TOMÉ-FÊITEIRA
SMARTCUT (WITHOUT HANDLE)
36 CM - 14"

03.02.0161



HOOF NAIL CLINCH BLACK COATED

03.02.0181



HOOF PLIERS BLACK COATED

03.02.0182	35 CM	14"
03.02.0183	38 CM	15"



HOOF PLIERS
38 CM

03.02.0118



HOOF CUTTER "BALZAC" MODEL

03.02.0104



HOOF CUTTER "DICK" MODEL
42 CM - 17"

03.02.0100



HOOF CHECKING PLIER STANDARD

03.02.0103



HOOF CHECKING PLIER SEMI-CIRCULAR

03.02.0105



HOOF CHECKING PLIER CIRCULAR

03.02.0109



HOOF PICK WITH BRUSH

03.02.0170



METAL HOOF GAUGE

03.02.0099



HOOF KNIFE BRUSH

03.02.0201



FOOTROT SHEARS

03.02.0300

PLAIN BLADE

03.02.0301

SERRATED BLADE



HOOF KNIFE SMALL BLADE FOR SHEEP

03.02.0051



CASTRATING RUBBER RINGS
APPLICATOR

03.03.0001



CASTRATING RUBBER RINGS -
ORANGE (100)

03.03.0003



CASTRATION FORCEPS "KAMER"
BURDIZZO MODEL 48 CM - 19"

03.03.0171



CASTRATION FORCEPS SUPERIOR
QUALITY BURDIZZO MODEL
48 CM - 19"

03.03.0175



CASTRATION FORCEPS FOR LAMB
23 CM

03.03.0120



VERBOCZY-WHITES EMASCULATOR

03.03.0201	23 CM	9"
03.03.0203	27 CM	10,5"



REIMERS EMASCULATOR 31 CM - 12"

03.03.0212



GAS TAIL DOCKER

03.05.0245



SPARE TIP FOR GAS TAIL DOCKER

03.05.0255



HOT TAIL DOCKER "ENGEL"

03.05.0210	STANDARD
03.05.0211	WITH V-BLADE



HOT TAIL DOCKER "ENGEL" WITH SUPPORT

03.05.0217



SPARE V BLADE FOR "ENGEL" TAIL DOCKER

03.05 0214



HOT TAIL DOCKER "ENGEL" WITHOUT BLADE

03.05.0212



SPARE STANDARD BLADE FOR "ENGEL" TAIL DOCKER

03.05.0215



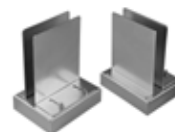
SPARE BLADE FOR "ENGEL" TAIL DOCKER WITH SUPPORT

03.05.0218



HOT TAIL DOCKER WITH TRANSFORMER

03.05.0200



BRACKET FOR TAIL DOCKER WITH TRANSFORMER

03.05.0203



NATURAL HIMALAYAN SALT LICK FOR ANIMALS

13.01.0100



PLASTIC FEED SCOOP 37 CM - 14"

03.05.0299



ALUMINIUM FEED SCOOP

03.05.0301	27 CM	10"
03.05.0302	32 CM	12"
03.05.0303	37 CM	14"



CATTLE HOBBLE REINFORCED NYLON BELT

03.05.0272



DEHORNING WIRE SAW HANDLE (2)

03.04.0011



DEHORNING WIRE SAW IN PLASTIC BOX 12 M

03.04.0015



TOOTH NIPPERS FOR PIGS 13 CM - 5"

03.05.0001



EQUINE DENTAL FLOAT RASP

03.07.0110



SPARE BLADE FOR EQUINE DENTAL FLOAT RASP

03.07.0111

SIZE: Ø 21,5x32 cm
 MAXIMUM POWER: 275 W
 VOLTAGE: 220 V
 FREQUENCY: 50 Hz
 LAMP BASE: E27



INFRARED LAMP/HEATER HOLDER
 WITH SWITCHER ON THE BASE-
 2,5 M CABLE

03.05.1310

SIZE: Ø 21,5x31 cm
 MAXIMUM POWER: 275 W
 VOLTAGE: 220 V
 FREQUENCY: 50 Hz
 LAMP BASE: E27



INFRARED LAMP/HEATER HOLDER
 WITH SWITCHER ON THE CABLE-
 2,5 M CABLE

03.05.1313



INFRARED RED LAMP REINFORCED
 GLASS (E27 CONNECTION)

03.05.1268	220V 175W
03.05.1269	220V 250W



INFRARED CERAMIC HEATER
 WITHOUT LIGHT, FLATTED SHAPED
 (E27 CONNECTION)

03.05.1287	220V 250W
03.05.1293	220V 150W

ANATOMIC SHAPE
 OUTSHELL: 210D Oxford
 LINING: fleece
 WATERPROOF: no
 CLOSURE: velcro



CALF COAT 72 CM - OUTSHELL IN
 OXFORD210 AND INNER IN PILE
 AND VELCRO CLOSURE

03.05.1940

ANATOMIC SHAPE
 OUTSHELL: 600D Oxford
 LINING: nylon
 WATERPROOF: yes
 CLOSURE: one plastic lock
 one metal lock



CALF COAT 72 CM - OUTSHELL IN
 OXFORD600 AND INNER IN POLYFILL
 AND PLASTIC CLOSURE

03.05.1942

STANDARD SHAPE
 OUTSHELL: 600D Oxford
 LINING: nylon
 WATERPROOF: no
 CLOSURE: one plastic lock



CALF COAT 74 CM - OUTSHELL
 IN OXFORD 600D AND INNER IN
 POLYFILL AND FRONTAL CLOSURE

03.05.1950

STANDARD SHAPE
 OUTSHELL: 420D Oxford
 LINING: nylon
 WATERPROOF: no
 CLOSURE: two plastic lock



CALF COAT 68 CM - OUTSHELL
 IN OXFORD 420 AND INNER IN
 POLYFILL AND PLASTIC CLOSURE

03.05.1955



SHEEP SHEAR 29 CM BLACK HANDLE - BLADE 14,5 CM

03.06.0174



SHEEP SHEAR RED HANDLE

03.06.0175 - 29 CM - BLADE 14,5 CM

03.06.0176 - 34 CM - BLADE 16,5 CM



MANUAL SHEAR CLIPPER (SHORT HAIR)

03.06.0180



ROUND METAL CURRYCOMB FINE-TOOTHED WITH PLASTIC HANDLE

03.06.0402



METAL CURRYCOMB 8 ROWS WITH MANE COMB AND WOODEN HANDLE

03.06.0406



METAL CURRYCOMB 8 ROWS WITH WOVEN HAND LOOP

03.06.0407



OVAL PLASTIC CURRYCOMB FINE-TOOTHED WITH ADJUSTABLE HAND LOOP

03.06.0408



RUBBER OVAL CURRYCOMB WITH HAND LOOP

03.06.0409



ALUMINIUM MANE COMB

03.06.0416



BRUSH FOR HORSES WITH HARD BRISTLES AND WOODEN HANDLE

03.06.0422 - YELLOW 21,5 X 6 CM

03.06.0423 - BLUE 24,5 X 6 CM



BRUSH FOR HORSES WITH HARD RED BRISTLES AND PLASTIC HANDLE - 20 X 6,5 CM

03.06.0424



OVAL METAL CURRYCOMB WITH WOVEN HANDLE

03.06.0431



RUBBER GLOVE CURRYCOMB DOUBLE SIDES

03.06.0432



RUBBER GLOVE CURRYCOMB WITH BRUSH

03.06.0435



RUBBER GLOVE CURRYCOMB WITH MAGNETIC BALLS FOR MASSAGE

03.06.0436



PLASTIC SWEAT SCRAPER HALF-ROUNDED FOR HORSES WITH COMB

03.06.0450



METAL SWEAT SCRAPER HALF-ROUNDED WITH WOODEN HANDLE

03.06.0453

04



MILKING AND FEEDING





PRE-MILKING LONG CUP FOR
MASTITIS TEST BLUE - WITH BELT
CLIPS

04.01.0008



PRE-MILKING CUP FOR MASTITIS TEST
1 LT BLUE

04.01.0001



PRE MILKING PADDLE FOR MASTITIS
TEST WHITE

04.01.0002



LIQUID FOR MASTITIS TEST CMT
RAIDEX - PURPLE 1 L

04.01.0075



DOSING BOTTLE FOR CMT LIQUID
TEST

04.01.0070



TEAT TUMOR EXTRACTOR "HUG
MODEL" 16 CM

04.01.0012



TEAT SLITTER DOUBLE BLADE
"DANISH MODEL" 14 CM

04.01.0014



UDDER CATHETER LUER LOCK (12)

04.01.0035

6 CM

04.01.0036

8 CM



DISPOSABLE WOOLEN TEAT DILATOR
WITH OINTMENT (20)

04.01.0021



DISPOSABLE PLASTIC TEAT DILATOR
(10)

04.01.0020



NON-RETURN DIP CUP
"TECNOLATTE" GREEN

04.01.0106



NON-RETURN DIP CUP RED
WITH BRUSH

04.01.0116



FOAMER DIP CUP UPPER
FILTER "TECNOLATTE"

04.01.0130



NON-RETURN DIP CUP
"AMBIC"

04.01.0113



FOAMER DIP CUP "AMBIC"

04.01.0114



SPARE CUP "TECNOLATTE"

04.01.0153



UDDER CARE CREAM
"CRYOMENTHA 36" WITH
36% JAPANESE MINT -
500 ML

04.01.0502



CALF BUCKET WITH RED RUBBER TEAT, VALVE AND BACK HOLDER - 8 L

04.02.0001



LAMB BUCKET 5 POSITIONS WITH RED RUBBER TEATS, VALVES AND BACK HOLDER - 8 L

04.02.0070



PLASTIC TEAT VALVE FOR 8 L BUCKET

04.02.0103



RUBBER O-RING FOR 8 L BUCKET VALVE

04.02.0104



BACK HOLDER FOR 8 L BUCKET

04.02.0011



RED RUBBER TEAT FOR 8 L LAMB BUCKET (6)

04.02.0170



LATEX TEAT FOR 8 L LAMB BUCKET (6)

04.02.0171



SILICONE TEAT FOR 8 L LAMB BUCKET

04.02.0172



RED RUBBER TEAT FOR 8 L CALF BUCKET - 10 CM

04.02.0107



LATEX TEAT FOR 8 L CALF BUCKET - 10 CM

04.02.0109



CALF BUCKET HANGING MODEL WITHOUT VALVE WITH BLACK FLAT TIP TEAT - 4 L

04.02.0016



CALF BUCKET HANGING MODEL WITHOUT VALVE WITH BLACK POINTY TIP TEAT - 3 L

04.02.0018



BLACK FLAT TIP RUBBER TEAT FOR CALF BUCKET WITHOUT VALVE

04.02.0116



BLACK FLAT TIP RUBBER TEAT FOR CALF BUCKET WITHOUT VALVE - SOFT

04.02.0118



BLACK POINTY TIP RUBBER TEAT FOR CALF BUCKET WITHOUT VALVE (Ø 26,5 MM)

04.02.0122



MULTIPLE CALF BUCKET (UP TO 5 CALVES) WITHOUT VALVES WITH BLACK POINTY TIP TEATS

04.02.0026



MULTIPLE CALF BUCKET (UP TO 3 CALVES) WITHOUT VALVES WITH BLACK POINTY TIP TEATS

04.02.0025



BLACK FLAT TIP RUBBER TEAT FOR CALF BUCKET WITHOUT VALVE

04.02.0116



BLACK FLAT TIP RUBBER TEAT FOR CALF BUCKET WITHOUT VALVE - SOFT

04.02.0118



BLACK POINTY TIP RUBBER TEAT FOR CALF BUCKET WITHOUT VALVE (Ø 26,5 MM)

04.02.0122





FEEDING BOTTLE FOR CALF WITH
LARGE BOTTLE OPENING WITH
VALVE AND BLACK POINTY TIP TEAT

04.02.0197	2,5 L
04.02.0198	4 L



FEEDING BOTTLE FOR CALF WITH
LARGE BOTTLE OPENING WITH
VALVE AND PLASTIC FEEDING
CANNULA

04.02.0385	2,5 L
04.02.0386	4 L



BLACK POINTY TIP RUBBER TEAT
FOR CALF BUCKET WITHOUT
VALVE (Ø 26,5 MM)

04.02.0122



SPARE PLASTIC FEEDING
CANNULA FOR FEEDING
BOTTLE FOR CALF WITH LARGE
BOTTLE OPENING

04.02.0397



SPARE PLASTIC FEEDING
CANNULA WITH COVER FOR
FEEDING BOTTLE FOR CALF
WITH LARGE BOTTLE OPENING

04.02.0396



PLASTIC TOP WITH JOINT FOR
TEAT AND FEEDING CANNULA
FOR FEEDING BOTTLE FOR CALF
WITH LARGE BOTTLE OPENING

04.02.0398



FEEDING BOTTLE FOR CALF WITH
SMALL BOTTLE OPENING 2,5 L WITH
VALVE AND RED RUBBER TEAT

04.02.0352



FEEDING BOTTLE FOR CALF WITH
SMALL BOTTLE OPENING 2,5 L
WITH VALVE AND PLASTIC FEEDING
CANNULA

04.02.0350



SPARE TEAT AND PLASTIC RING
CONNECTION FOR FEEDING BOTTLE
FOR CALF WITH SMALL BOTTLE
OPENING

04.02.0357



SPARE PLASTIC FEEDING CANNULA
FOR FEEDING BOTTLE FOR CALF
WITH SMALL BOTTLE OPENING

04.02.0355



FEEDING BOTTLE FOR CALF WITH BACK HANDLE 4 L WITH METAL TUBE (HARD) AND PLASTIC TUBE (SOFT)

04.02.0382



PLASTIC FEEDING TUBE AND RING CONNECTION FOR FEEDING BOTTLE WITH BACK HANDLE

04.02.0392



PLASTIC FEEDING TUBE WITH PLASTIC CANNULA AND RING CONNECTION FOR FEEDING BOTTLE WITH BACK HANDLE

04.02.0393



FEEDING BOTTLE FOR CALF 2,5 L WITH RED HANDLE

04.02.0207



FEEDING BOTTLE 2 L FOR INTERLOCKED TEAT (WITHOUT TEAT)

04.02.0201



PLASTIC RING FOR 2,5 L FEEDING BOTTLE RED HANDLE

04.02.0221



BLACK RUBBER TEAT FOR 2,5 L FEEDING BOTTLE RED HANDLE

04.02.0222



INTERLOCKED TEAT FOR FEEDING BOTTLE (WITHOUT RING)

04.02.0211



FEEDING BOTTLE FOR LAMB 1 L

04.02.0206



FEEDING BOTTLE FOR LAMB WITH RED TEAT 500 ML

04.02.0173



RED RUBBER TEAT FOR 8 L LAMB BUCKET (6)

04.02.0170



LATEX TEAT FOR 8 L LAMB BUCKET (6)

04.02.0171



RED TEAT FOR FEEDING BOTTLE FOR LAMB 500 ML

04.02.0216



FIXING RING FOR FEEDING BOTTLE FOR LAMB 500 ML

04.02.0218



FEEDING BOTTLE FOR LAMB WITH LATEX TEAT 450 ML

04.02.0174



LATEX TEAT FOR FEEDING BOTTLE FOR LAMB 450 ML

04.02.0235



FIXING RING FOR FEEDING BOTTLE FOR LAMB 450 ML

04.02.0236



TEAT FOR SMALL SHEEP AND GOATS WITH SCREW ADAPTER FOR PET BOTTLE (5)

04.02.0228



TEAT FOR LAMB WITH SCREW ADAPTER FOR PET BOTTLE

04.02.0301



ALUMINIUM BAG FOR COLOSTRUM
4 L - FREEZING, HEATING AND
ADMINISTRATION (5)

04.02.0412



TEAT FOR ALUMINIUM
BAG FOR COLOSTRUM
4 L (WITH JOINT)

04.02.0415



FEEDING TUBE FOR
ALUMINIUM BAG FOR
COLOSTRUM 4 L

04.02.0416



FILLING SUPPORT FOR
ALUMINIUM BAG FOR
COLOSTRUM 4 L

04.02.0420



PROTECTION FOR
ALUMINIUM BAG FOR
COLOSTRUM 4 L

04.02.0414



PORTABLE OPTICAL
REFRACTOMETER BRIX SCALE
(0-32%) FOR COLOSTRUM

04.02.0523



PORTABLE DIGITAL
REFRACTOMETER BRIX SCALE
(0-50%) FOR COLOSTRUM

04.02.0551



REUSABLE BAG WITH FLEXIBLE
TUBE FOR COLOSTRUM 2,5 L

04.02.0481



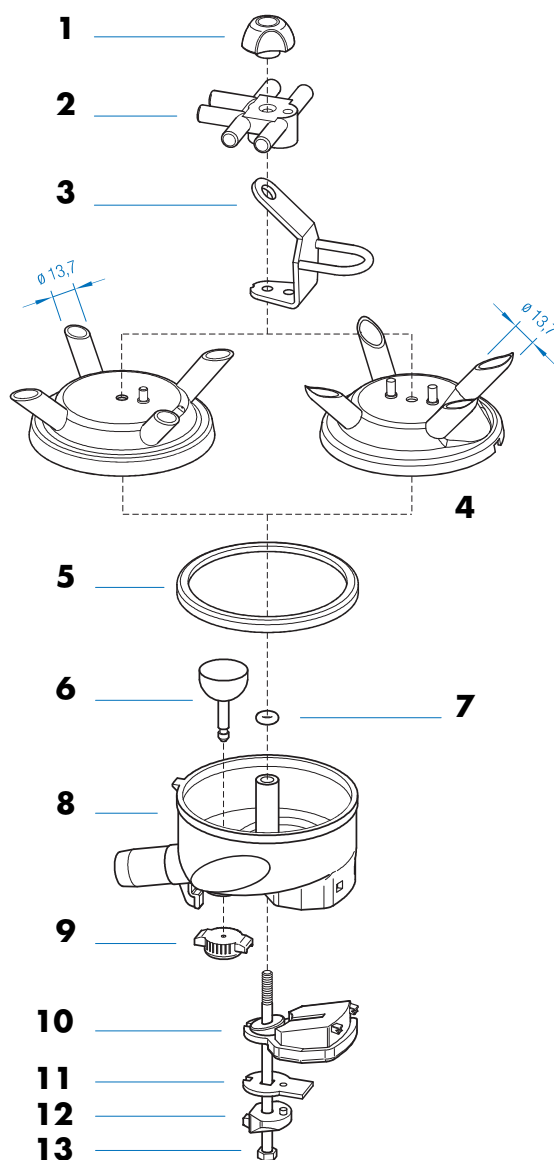
PLASTIC ADJUSTABLE CALF
WEANER WITH SPIKES -
YELLOW

04.03.0004



MILKING CLAW IN POLYSULFONE AND
STEEL 300CC WITH VALVE

04.04.0356



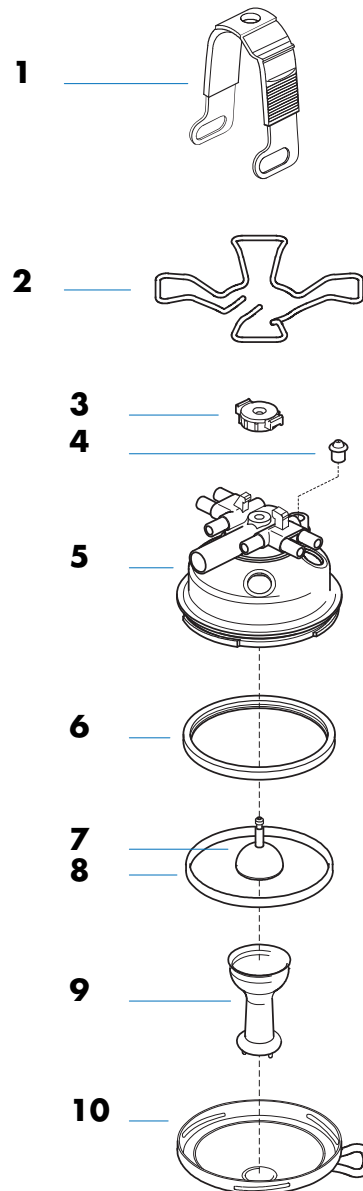
AVAILABLE SPARE PARTS

1	04.04.3371	SPARE SCREW FOR CLAW 300 CC
2	04.04.3373	SPARE AIR DRIVER FOR CLAW 300 CC
3	04.04.3372	SPARE METAL HOOK FOR CLAW 300 CC
4	04.04.3374	SPARE STEEL UPPER BOWL FOR CLAW 300 CC
5	04.04.3377	SPARE GASKET FOR CLAW 300 CC
6	04.04.3375	SPARE VALVE WITH LINCHPIN FOR CLAW 300 CC
7	04.04.3384	SPARE O-RING FOR CLAW 300 CC
8	04.04.3378	SPARE POLYSULFONE LOWER BOWL FOR CLAW 300 CC WITH VALVE
8	04.04.3386	SPARE LOWER BOWL IN DARK PSU FOR CLAW 300 CC WITHOUT VALVE
8	04.04.3388	SPARE LOWER BOWL IN DARK PSU FOR CLAW 300 CC WITH VALVE
9	04.04.3379	SHUT OFF VALVE DISK FOR CLAW 300 CC
10	04.04.3380	SPARE BUMPER FOR CLAW 300 CC
11	04.04.3381	SPARE METAL INTERMEDIATE LATCH FOR CLAW 300 CC
12	04.04.3382	SPARE BUMPER SUPPORT FOR CLAW 300 CC
13	04.04.3383	SPARE SCREW AND POLE FOR CLAW 300 CC



MILKING CLAW "HARMONY" IN POLYSULPHONE AND STEEL 360CC

04.04.0357



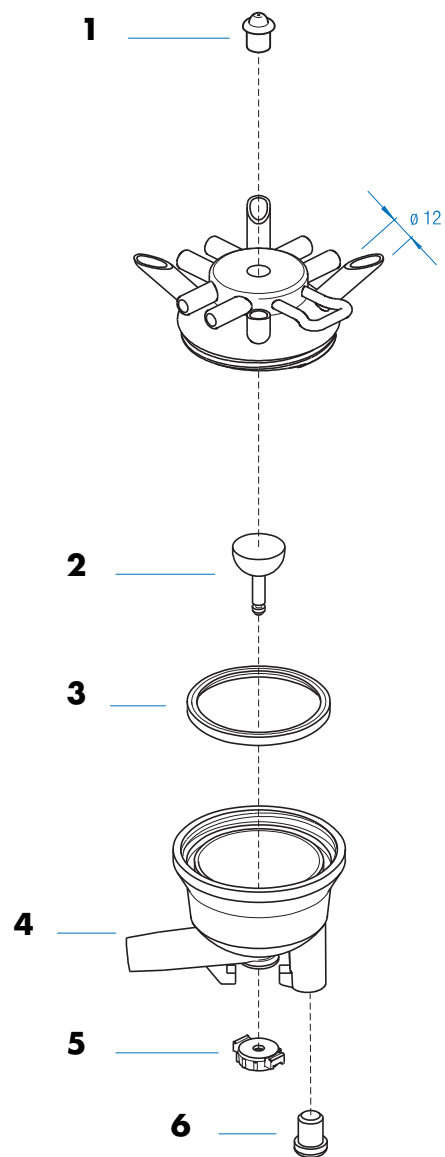
AVAILABLE SPARE PARTS

1	04.04.3401	SPARE SUPPORT FITTING FOR HARMONY CLAW 360 CC
2	04.04.3400	SPARE MEMBRANE HOLDER FOR HARMONY CLAW 360 CC
3	04.04.3403	SPARE SHUT OFF VALVE DISK FOR CLAW "HARMONY 360 CC" AND "ALFA 150 CC" (7 PCS)
4	04.04.3404	SPARE AIR DRIVER CUP FOR CLAW "HARMONY 360 CC" AND "ALFA 150 CC"
5	04.04.3405	SPARE UPPER BOWL IN POLYSULPHONE FOR HARMONY CLAW 360 CC
6	04.04.3406	SPARE OUTER GASKET FOR HARMONY CLAW 360 CC
7	04.04.3407	SPARE VALVE WITH LINCHPIN FOR CLAW "HARMONY 360 CC" AND "ALFA 150 CC"
8	04.04.3408	SPARE INNER GASKET FOR HARMONY CLAW 360 CC
9	04.04.3409	SPARE INNER TUBE IN POLYSULFONE FOR HARMONY CLAW 360 CC
10	04.04.3402	SPARE STEEL LOWER BOWL FOR HARMONY CLAW 360 CC



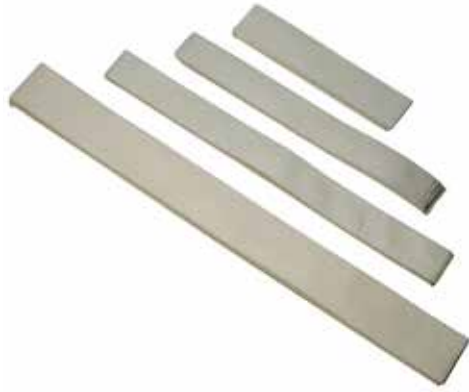
MILKING CLAW IN POLIYSULFONE AND STEEL 150 CC WITH VALVE

04.04.0365



AVAILABLE SPARE PARTS

1	04.04.3404	SPARE AIR DRIVER CUP FOR CLAW "HARMONY 360 CC" AND "ALFA 150 CC"
2	04.04.3407	SPARE VALVE WITH LINCHPIN FOR CLAW "HARMONY 360 CC" AND "ALFA 150 CC"
3	04.04.3485	SPARE GASKET FOR ALFA CLAW 150 CC
4	04.04.3480	SPARE UPPER BOWL IN POLYSULPHONE FOR ALFA CLAW 150 CC
5	04.04.3403	SPARE SHUT OFF VALVE DISK FOR CLAW "HARMONY 360 CC" AND "ALFA 150 CC" (7 PCS)
6	04.04.3479	SPARE RUBBER TAP FOR ALFA CLAW 150 CC



MILK FILTER SOCK SEWN -
TECNOLATTE PREMIUM

04.04.1031	60 X 320 MM	200 PCS
04.04.1033	60 X 620 MM	200 PCS
04.04.1043	60 X 450 MM	200 PCS
04.04.1051	60 X 320 MM	100 PCS
04.04.1053	60 X 620 MM	100 PCS
04.04.1056	60 X 450 MM	100 PCS



QUARTER MILKER

04.04.1930



PVC MILK TUBE (WITHOUT
PHTHALATES)

04.04.1315	Ø 14,5 x 24,5 mm
04.04.1316	Ø 16 x 26 mm



OILER FOR VACUUM PUMP

04.04.5820



UNIVERSAL OILER FOR GPV 1500 -
GPV 500/700/1000

04.04.5822	GPV 1500
04.04.5823	GPV 500/700/1000



PNEUMATIC PULSATOR TECNOLATTE
P180 2 EXIT 60/40 GREEN METAL
COVER - SUPERIOR QUALITY

04.04.0516



PNEUMATIC PULSATOR TECNOLATTE
P380 2 EXIT 60/40 RED METAL
COVER

04.04.0525



DIAPHRAGM FOR PULSATOR
TECNOLATTE (10) - ALSO ADAPTABLE
L80

04.04.0542	BIG
04.04.0543	SMALL



PLASTIC PRESSURE SPRAYER
WITH QUICK COUPLING AND
REGULATION

04.04.2580



METAL PRESSURE SPRAYER
WITH QUICK COUPLING AND
REGULATION

04.04.2581



METAL AND PLASTIC SPRAYER WITH
QUICK COUPLING AND REGULATION

04.04.2584



PVC "IABER" MILKING APRON

04.05.0064	120x80 CM
04.05.0065	125x100 CM



PU MILKING APRON "FARMTRAK"

04.05.0081	109 CM
04.05.0082	122 CM



PVC MILKING APRON - HEAVY

04.05.0010	115x100 CM
04.05.0011	125x118 CM



PVC MILKING APRON WITH
FRONTAL POCKET - HEAVY

04.05.0013	115x100 CM
04.05.0014	125x118 CM



PU "IABER" MILKING APRON

04.05.0041	120x80 CM
04.05.0042	125x100 CM



WATERPROOF "FARMTRAK" PU
LONG SLEEVES JACKET - BLUE

04.05.0122	L
04.05.0123	XL



WATERPROOF "FARMTRAK" PU
LONG SLEEVES JACKET - GREEN

04.05.0132	L
04.05.0133	XL



WATERPROOF "FARMTRAK" PU
SHORT SLEEVES JACKET- BLUE

04.05.0142	L
04.05.0143	XL



WATERPROOF "FARMTRAK" PU TROUSERS - GREEN

04.05.0162	L
04.05.0163	XL



WATERPROOF "FARMTRAK" PU TROUSERS- BLUE

04.05.0172	L
04.05.0173	XL



DISPOSABLE MILKING PROTECTIVE PE SLEEVE (100 PCS)

04.05.0512



MILKING PROTECTIVE SLEEVE IN OXFORD POLYESTER (PAIR)

04.05.0513



MILKING PROTECTIVE SLEEVE SOFTSHELL (PAIR)

04.05.0520



"IABER" MILKING PROTECTIVE SLEEVE IN PVC/PU

04.05.0522



MILKING PROTECTIVE SLEEVE- FULL PROTECTION

04.05.0516

05



WEIGHTING AND MEASURING





DIAL MECHANICAL METAL BODY
HANGING SCALE

05.01.1033	25 KG (± 0,1 KG)
05.01.1034	50 KG (± 0,2 KG)
05.01.1035	100 KG (± 0,5 KG)
05.01.1037	200 KG (± 1 KG)



DIAL MECHANICAL METAL BODY
HANGING SCALE "SALTER"

05.01.1051	5 KG (± 0,1 KG)
05.01.1052	10 KG (± 0,2 KG)



DIGITAL HANGING SCALE BACKLIGHT

05.01.1231	50 KG (± 0,01 KG)
-------------------	--------------------------



DIGITAL HANGING SCALE
BACKLIGHT

05.01.1251	200 KG (± 0,01 KG)
05.01.1272	300 KG (± 0,01 KG)



CALF WEIGHING HARNESS FOR
HANGING SCALE (UP TO 80 KG)

05.01.1295



COPPER HANGING SCALE

05.01.1103	50 KG (± 1 KG)
05.01.1104	100 KG (± 2 KG)



POCKET DIGITAL SCALE
200 G (± 1 G)

05.01.1333



DIGITAL PROBE FOOD
THERMOMETER (FROM -50 °C TO
+300 °C)

05.01.2011



MILK THERMOMETER WITH PLASTIC
PROTECTION (FROM -10 °C
TO +110 °C)

05.01.2013



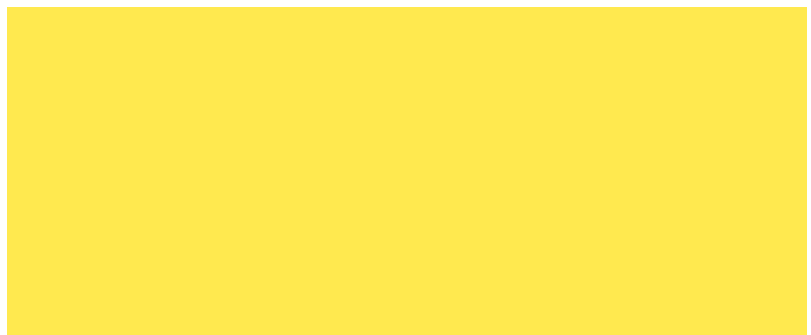
RAIN GAUGE 30 CM RIGID PLASTIC
WITH TIP - 120 ML

05.01.3012

06



ARTIFICIAL INSEMINATION





UNIVERSAL SHEATH "BOVIGAINÉ"
FOR BOVINE ARTIFICIAL
INSEMINATION - SPLIT (50)

06.01.0008



UNIVERSAL SHEATH "BOVIGAINÉ"
FOR BOVINE ARTIFICIAL
INSEMINATION - UNSPLIT (50)

06.01.0037



UNIVERSAL GUN "QUICKLOCK" FOR
BOVINE ARTIFICIAL INSEMINATION

06.01.0027	WHITE
06.01.0078	BLUE
06.01.0079	YELLOW
06.01.0080	RED
06.01.0081	GREEN



UNIVERSAL GUN "QUICKLOCK
ERGO" LONG MODEL

06.01.0026



HEATHER FOR A.I. GUN "QUICKLOCK
HEATER 4.0"

06.01.0095



ARTIFICIAL INSEMINATION SLEEVE
"CRYOFARM" (80 PCS)

06.02.0017



CLEAR MEDIUM STRAW "MINITUBE"
0,50 ML (2500)

06.01.0375



CLEAR MINISTRAW - "MINITUBE"
0,25 (2000)

06.01.0350



SEMEN THAW "CITO" 12-220 V

06.01.0735	
06.01.0741	UK PLUG



LIQUID CRYSTAL THERMOMETER "CRYOFARM"

06.01.0703



AI PLASTIC TWEEZERS

06.01.0420	0,25 ML
06.01.0421	0,5 ML



CORD FOR 12V CITO THAW (LIGHTER PLUG)

06.01.0737



POWER SUPPLY 220/12 V CITO THAW

06.01.0738



PLASTIC STRAW CUTTER

06.01.0404



STRAW CUTTER "MINICUTTER"

06.01.0405



STRAW CUTTER "CITO"

06.01.0406



ALLIS FORCEPS 25 CM - 10"

06.03.0011



SWINE SEMEN COLLECTION FILTER Ø 24 CM (200)

06.07.0506



INSEMINATION GEL "RAIDEX" 1 L

06.04.5002



"RAIDEX" GEL FOR ULTRASOUND
SCAN AND RECTAL AND VAGINAL
EXAMINATION - 1 L

06.04.5005



HEAT DETECTION PATCH
"BOVIFLAG" - (50)

06.01.0552	RED
06.01.0553	YELLOW
06.01.0554	GREEN
06.01.0555	PURPLE
06.01.0556	BLUE



MARKING CRAYON FOR HEAT
DETECTION 57 G (10)

06.01.0511	RED
06.01.0512	GREEN
06.01.0513	BLUE
06.01.0516	ORANGE
06.01.0517	YELLOW



TAIL PAINT FOR HEAT
DETECTION "BOVIPAINT"
500 ML

06.01.0542	RED
06.01.0543	YELLOW
06.01.0544	GREEN



WAX BLOCK FOR MATING
IDENTIFICATION HERNESS

06.03.0510	RED
06.03.0511	BLUE
06.03.0512	GREEN
06.03.0513	YELLOW
06.03.0514	ORANGE
06.03.0515	BLACK



MATING IDENTIFCAZION
HARNES FOR EWES AND
SWINES (WITHOUT WAX
BLOCK)

06.03.0501



VAGINAL SPECULUM 20 CM

06.03.0012



DISPOSABLE ARM LENGTH GLOVES
"ORANGE SOFTGLOVE" (100)

06.04.0100



DISPOSABLE ARM LENGTH GLOVES
"NECK" (50)

06.04.0102



DISPOSABLE ARM LENGTH GLOVES
"GLOVEMAX" 90 CM (100)

06.04.1117



DISPOSABLE ARM LENGTH GLOVES
"GLOVELAST" 90 CM WITH ELASTIC
BAND (50)

06.04.0203



DISPOSABLE ARM LENGTH GLOVES
"GLOVETOP" 120 CM WITH
SHOULDER PROTECTION (50)

06.04.0202



DISPOSABLE ARM LENGTH GLOVES
"GLOVEBAND" 90 CM WITH FIXING
BAND (100)

06.04.0204



DISPOSABLE ARM LENGTH GLOVES
"EURONECK" 120 CM WITH
SHOULDER PROTECTION (100)

06.04.0205



NITRILE GLOVES "IABER" 3 MIL (100)

06.04.1201	S
06.04.1202	M
06.04.1203	L
06.04.1204	XL



NITRILE GLOVES "IABER" 4 MIL (100)

06.04.1241	S
06.04.1242	M
06.04.1243	L
06.04.1244	XL
06.04.1245	XXL



VINYL GLOVES "IABER" (100)

06.04.1301	S
06.04.1302	M
06.04.1303	L
06.04.1304	XL



DISPOSABLE BOOT COVER WITH ELASTIC BAND - ZOOTECHNICAL USE

06.04.1504	10
06.04.1505	50



DISPOSABLE BOOT COVER WITH LACE TO TIDE - ZOOTECHNICAL USE (50)

06.04.1508



DISPOSABLE POLYETHYLENE OVER COAT WITH LACE TO TIDE AND LONG SLEEVES - ZOOTECHNICAL USE

06.04.1520	1
06.04.1530	10



DISPOSABLE OVER COAT FULL-BODY 135 CM WITH LONG SLEEVES - ZOOTECHNICAL USE (20)

06.04.1535



07



DRINKING SYSTEM





COW/HORSE 5 L WATER BOWL IN
SS AND CAST IRON WITH PIPE VALVE
- G 1/2"

07.07.0020



COW/HORSE 5 L WATER BOWL IN
SS WITH PIPE VALVE - G 1/2"

07.07.0030



COW/HORSE 1,45 L WATER BOWL
IN CAST IRON WITH SS NOSE
PADDLE G 1/2"

07.07.0051



COW/HORSE 1,7 L WATER BOWL IN
CAST IRON WITH SS NOSE PADDLE
G 1/2"

07.07.0061



COW/HORSE 2,5 L PLASTIC WATER
BOWL WITH PLASTIC NOSE PADDLE
G 1/2"

07.07.0101



COW/HORSE 2,8 L PLASTIC WATER
BOWL WITH PLASTIC FLOATING
VALVE G 1/2"

07.07.0150



COW/HORSE 2,5 L SS WATER BOWL
WITH PLASTIC AND BRASS FLOATING
VALVE - G 1/2"

07.07.0200



COW/HORSE 2,5 L SS WATER BOWL
WITH PLASTIC FLOATING VALVE - G
1/2"

07.07.0210



BITE NIPPLE DRINKER FOR PIGLETS SS
(WITH RED FILTER) - 5,5 CM x 1/2"
(5)

07.01.0241	SS 201
07.01.0291	SS 302



BITE NIPPLE DRINKER FOR PIGS SS
(WITH RED FILTER) - 6,5 CM x 1/2"
(5)

07.01.0243	SS 201
07.01.0293	SS 302



BITE NIPPLE DRINKER FOR SOWS SS
(WITH RED FILTER) - 8,5 CM x 1/2"
(5)

07.01.0245	SS 201
07.01.0295	SS 302



NIPPLE DRINKER SS (WITH RED FILTER)
- 8 MM x 1/2" (5)

07.01.0272	SS 201
07.01.0302	SS 302



SPRAY NIPPLE SS (WITH RED FILTER) -
1/2" (5)

07.01.0276	SS 201
07.01.0306	SS 302



ANTIFREEZE HEATING CABLE WITH
THERMOSTAT

07.07.0585	2 M
07.07.0586	4 M



PLASTIC POULTRY DRINKER

07.04.0322	1,5 LT
07.04.0323	3 LT
07.04.0324	5 LT
07.04.0325	10 LT



PLASTIC POULTRY DRINKER "ECHO"
WITH HANDLE

07.41.0351	1,5 LT
07.41.0352	3 LT
07.41.0353	6 LT



PLASTIC POULTRY DRINKER "IABER
AIE" WITH HANDLE

07.06.0021	1,5 LT
07.06.0024	4 LT
07.06.0026	6 LT
07.06.0030	10 LT



PLASTIC POULTRY DRINKER "ECHO"
WITH HANDLE AND LEGS

07.04.0361	1,5 LT
07.04.0364	8 LT



PLASTIC POULTRY DRINKER WITH
FILLING CAP, LEGS AND HANDLE

07.04.0327	5 LT
07.04.0328	10 LT
07.04.0329	15 LT



PLASTIC POULTRY DRINKER WITH
CAP, HANDLE AND LEGS - 15 L

07.04.0340



PLASTIC POULTRY DRINKER WITH
CAP, HANDLE AND TRIPOD - 24 L

07.04.0341



FLOW WATERER FOR CHICKS FOR PLASTIC BOTTLE

07.04.0321



POULTRY DRINKER BUCKET 5,5 L

07.04.0335



PLASTIC FEED TROUGH WITH GRID

07.04.0425	50x7x8 CM
07.04.0426	50x15x13 CM
07.04.0427	100x15x13 CM



PLASTIC POULTRY FEEDER "ECHO" WITH HANDLE

07.04.0451	1,5 KG
07.04.0452	3 KG
07.04.0453	6 KG



PLASTIC POULTRY FEEDER "IABER AIE" WITH HANDLE

07.06.0071	1,5 KG
07.06.0073	3 KG
07.06.0076	6 KG
07.06.0079	9 KG



PLASTIC POULTRY FEEDER "ECHO" WITH HANDLE AND LEGS - 5 KG

07.04.0464



PLASTIC POULTRY FEEDER WITH THREADED BAR FOR ADJUSTMENT, ANTI-WASTE FINS AND LEGS

07.04.0420	9 L
07.04.0421	20 L

08



FENCING EQUIPMENT





BLACK RING INSULATOR WITH
SCREW - REINFORCED WITH METAL
CORE - STANDARD (25)

08.04.0001



BLACK RING INSULATOR WITH
SCREW - REINFORCED WITH METAL
CORE - BIG (25)

08.04.0010



BLACK INSULATOR FOR ROPE AND
TAPE 4 CM (25)

08.04.0015



ROTATING CORNER INSULATOR FOR
ROPE (10)

08.04.0033



TWO-WAY GATE INSULATOR WITH
SCREW (10)

08.04.0035



INSULATING GATE HANDLE WITH
HOOK AND INNER SPRING

08.04.0052



BLACK INSULATOR "W TYPE" FOR
ROPE (25)

08.04.0028



BLACK STRAIN INSULATOR FOR ROPE
(25)

08.04.0029



WHITE STRAIN INSULATOR FOR
ROPE - SUPERIOR QUALITY (10)

08.04.0030



FENCING PLIERS RED HANDLE
(CHROME VANADIUM STEEL)

08.05.0305



METAL ROPE STRETCHER (10)


08.05.0200




TENSIONING ARM FOR METAL ROPE
STRETCHER

08.05.0202

OVAL FIBERGLASS POST



08.04.2002	
COLOUR	YELLOW
TOTAL HEIGHT	110 CM
Ø	10X8 CM
GROUND NAIL LENGTH	22 CM
GROUND NAIL MATERIAL	METAL
PLASTIC INSULATOR	HEAD+1



08.04.2003	
COLOUR	YELLOW
TOTAL HEIGHT	140 CM
Ø	10X8 CM
GROUND NAIL LENGTH	22 CM
GROUND NAIL MATERIAL	METAL
PLASTIC INSULATOR	HEAD+1




08.04.2005	
COLOUR	YELLOW
TOTAL HEIGHT	110 CM
Ø	10X8 CM
GROUND NAIL LENGTH	22 CM
GROUND NAIL MATERIAL	FIBERGLASS AND PLASTIC
PLASTIC INSULATOR	HEAD+1




ADDITIONAL INSULATORS FOR WIRES 20 MM FOR FIBERGLASS POSTS (25)

08.04.2018	
------------	--


PLASTIC POST



08.04.2024	
COLOUR	WHITE
TOTAL HEIGHT	104 CM
GROUND NAIL LENGTH	18 CM
GROUND NAIL MATERIAL	METAL
EYELETS	5 X WIRE, 2 X TAPE 20 MM, 1 X TAPE 40 MM



08.04.2026	
COLOUR	WHITE
TOTAL HEIGHT	108 CM
GROUND NAIL LENGTH	18 CM
GROUND NAIL MATERIAL	METAL
EYELETS	8 X WIRE, 4 X TAPE 40 MM



08.04.2028	
COLOUR	BLACK
TOTAL HEIGHT	120 CM
GROUND NAIL LENGTH	24 CM
GROUND NAIL MATERIAL	METAL
EYELETS	8 X TAPE 40 MM



POLYWIRE "STANDARD" FOR ELECTRIC FENCE

CODE	LENGTH	THICKNESS	NR. SS WIRES	RESISTANCE	BREAKING LOAD
08.04.1310	250 M	2 MM	3 X 0,16 MM	12 Ω	70 KG
08.04.1311	500 M	2 MM	3 X 0,16 MM	12 Ω	70 KG
08.04.1320	250 M	2 MM	6 X 0,16 MM	5,5 Ω	70 KG
08.04.1321	500 M	2 MM	6 X 0,16 MM	5,5 Ω	70 KG



POLYWIRE "SUPER" FOR ELECTRIC FENCE

CODE	LENGTH	THICKNESS	NR. SS WIRES	RESISTANCE	BREAKING LOAD
08.04.1330	250 M	2,5 MM	3 X 0,2 MM	7,2 Ω	95 KG
08.04.1331	500 M	2,5 MM	3 X 0,2 MM	7,2 Ω	95 KG
08.04.1340	250 M	2,5 MM	3 X 0,2 MM	3,6 Ω	95 KG
08.04.1341	500 M	2,5 MM	3 X 0,2 MM	3,6 Ω	95 KG



POLYWIRE "PREMIUM" FOR ELECTRIC FENCE

CODE	LENGTH	THICKNESS	NR. SS WIRES	NR. COPPER WIRES	RESISTANCE	BREAKING LOAD
08.04.1370	250 M	2,5 MM	2 X 0,2 MM	1 X 0,25 MM	0,45 Ω	95 KG
08.04.1371	500 M	2,5 MM	2 X 0,2 MM	1 X 0,25 MM	0,45 Ω	95 KG



POLYTAPE "STANDARD" FOR ELECTRIC FENCE

CODE	LENGTH	THICKNESS	NR. SS WIRES	RESISTANCE	BREAKING LOAD
08.04.1734	200 M	10 MM	4 X 0,16 MM	9 Ω	65 KG
08.04.1737	200 M	20 MM	4 X 0,16 MM	9 Ω	90 KG
08.04.1739	200 M	40 MM	8 X 0,16 MM	3,8 Ω	120 KG



1234567890

I N N O V A



Distributed by:
CRYOFARM S.r.l.
Via Snos, n. 1
12038 SAVIGLIANO (CN)
Tel. +39 0172 725727
info@cryofarm.com

www.cryofarm.com
www.iaber.it