



GENERAL CATALOGUE



VETERINARY
ZOOTECNICAL
EQUIPMENT





	01. IDENTIFICATION	P. 5
	02. VETERINARY EQUIPMENT	P. 21
	03. LIVESTOCK EQUIPMENT	P. 71
	04. MILKING AND FEEDING	P. 107
	05. WEIGHTING AND MEASURING	P. 135
	06. ARTIFICIAL INSEMINATION	P. 139
	07. DRINKING SYSTEM	P. 157
	08. FENCING EQUIPMENT	P. 167



01



IDENTIFICATION





EAR TAG PLIERS "IABTAG"
STANDARD - RED

01.01.1018



EAR TAG PLIERS "IABER" WITH
MOVABLE NEEDLE

01.01.1022



SPARE NEEDLE SCREW FOR EAR
TAG PLIERS

01.01.0002



NEEDLE FOR EAR TAG PLIERS
"IABTAG" RED - UNIVERSAL

01.01.0003



NEEDLE FOR HORIZONTAL EAR
TAG PLIERS - BLACK

01.01.1003



SPARE NEEDLE FOR EAR TAG
PLIERS "IABER" WITH MOVABLE
NEEDLE

01.01.1033



RED SPARE NEEDLE FOR EAR TAG
PLIERS

01.01.1034



EAR TAG PLIERS "IABER" -
VERTICAL

01.01.1020



EAR TAG "TIP TOP" FOR SHEEP AND GOATS WITHOUT NUMBERS (50 PAIRS)

01.01.0080	YELLOW
01.01.0081	ORANGE
01.01.0082	WHITE
01.01.0083	GREEN
01.01.0084	BLUE
01.01.0085	RED



PERMANENT EAR TAG PEN "ZOOFLEX MARKER" ROUND TIP - BLACK

01.01.1108



EAR TAG PEN "IABER MARKER" ROUND TIP - BLACK

01.01.1006



EAR TAG PEN FINE TIP - BLACK

01.01.1008



EAR NOTCHER VERTICAL - ROUND HOLE Ø 7 MM SUPERIOR QUALITY

01.04.0144



EAR NOTCHER VERTICAL - ROUND HOLE Ø 9 MM (7/20") SUPERIOR QUALITY

01.04.0143



REUSABLE ELECTRONIC EAR TAG FDX
8 EXTERNAL NUMBER YELLOW (25)

01.01.4500



COMPACT ELECTRONIC RFID READER
"V8 BT"

01.01.4013



ELECTRONIC RFID READER "PETSCAN
250 BT"

01.01.4015





PLASTIC COLLAR NUMBER YELLOW
10

01.01.2310	0
01.01.2311	1
01.01.2312	2
01.01.2313	3
01.01.2314	4
01.01.2315	5
01.01.2316	6
01.01.2317	7
01.01.2318	8
01.01.2319	9



NYLON COLLAR FOR NUMBERS WITH
PLASTIC BUCKLE 130 CM
GREEN AND WHITE

01.01.2330



PLASTIC COLLAR NUMBER "DUO"
REPLACEABLE - 6

01.01.2450	0	BLACK
01.01.2451	1	YELLOW
01.01.2452	2	ORANGE
01.01.2453	3	RED
01.01.2454	4	VIOLET
01.01.2455	5	BLUE
01.01.2456	6	GREEN
01.01.2457	7	GREY
01.01.2458	8	BROWN
01.01.2459	9	WHITE



SPARE PINS FOR PLASTIC COLLAR
NUMBER "DUO" - 12

01.01.2463

METAL TOOL TO INSTALL PLASTIC
COLLAR NUMBER "DUO"

01.01.2464



RUBBER LEGBAND NUMBER - 10

01.01.2550	0	BLACK
01.01.2551	1	YELLOW
01.01.2552	2	ORANGE
01.01.2553	3	RED
01.01.2554	4	VIOLET
01.01.2555	5	BLUE
01.01.2556	6	GREEN
01.01.2557	7	GREY
01.01.2558	8	BROWN
01.01.2559	9	WHITE



BLUE NYLON LEGBAND FOR RUBBER
NUMBERS

01.01.2560

LARGE PLASTIC NUMBERS FOR 4 CM
COLLAR (10)



01.01.2350	0
01.01.2351	1
01.01.2352	2
01.01.2353	3
01.01.2354	4
01.01.2355	5
01.01.2356	6
01.01.2357	7
01.01.2358	8
01.01.2359	9



NUMBER COLLAR WITH PLASTIC
BUCKLE

01.01.2329



METAL TATTOO PLIERS - STANDARD
MODEL 4 DIGITS 10 MM (3/8") + 4
SET OF NUMBERS

01.02.0011



SET OF NUMBERS (0-9) FOR TATTOO
PLIERS 10 MM (3/8") 4 STANDARD
DIGITS

01.02.0160

NUMBER FOR TATTOO PLIERS 10 MM
(3/8") 4 STANDARD DIGITS

01.02.0402	0
01.02.0403	1
01.02.0404	2
01.02.0405	3
01.02.0406	4
01.02.0407	5
01.02.0408	6
01.02.0409	7
01.02.0410	8
01.02.0411	9



SET OF LETTERS (26 LETTERS A-Z)
FOR TATTOO PLIERS 10 MM (3/8") 4
STANDARD DIGITS

01.02.0480

LETTER FOR TATTOO PLIERS 10 MM
(3/8") 4 STANDARD DIGITS

01.02.0450	A
01.02.0451	B
01.02.0452	C
01.02.0453	D
01.02.0454	E
01.02.0455	F
01.02.0456	G
01.02.0457	H
01.02.0458	I
01.02.0459	J
01.02.0460	K
01.02.0461	L
01.02.0462	M
01.02.0463	N
01.02.0464	O
01.02.0465	P
01.02.0466	Q
01.02.0467	R
01.02.0468	S
01.02.0469	T
01.02.0470	U
01.02.0471	V
01.02.0472	W
01.02.0473	X
01.02.0474	Y
01.02.0475	Z



METAL TATTOO PLIERS -STANDARD
MODEL 5 DIGITS 8 MM (5/16") + 5
SET OF NUMBERS

01.02.0015



SET OF NUMBERS (0-9) FOR TATTOO
PLIERS 8 MM (5/16")
5 STANDARD DIGITS

01.02.0610

NUMBER FOR TATTOO PLIERS 8 MM
(5/16") 5 STANDARD DIGITS

01.02.0600	0
01.02.0601	1
01.02.0602	2
01.02.0603	3
01.02.0604	4
01.02.0605	5
01.02.0606	6
01.02.0607	7
01.02.0608	8
01.02.0609	9



SET OF LETTERS (26 LETTERS A-Z)
FOR TATTOO PLIERS 8 MM (5/16") 5
STANDARD DIGITS

01.02.0680

LETTER FOR TATTOO PLIERS 8 MM
(5/16") 5 STANDARD DIGITS

01.02.0650	A
01.02.0651	B
01.02.0652	C
01.02.0653	D
01.02.0654	E
01.02.0655	F
01.02.0656	G
01.02.0657	H
01.02.0658	I
01.02.0659	J
01.02.0660	K
01.02.0661	L
01.02.0662	M
01.02.0663	N
01.02.0664	O
01.02.0665	P
01.02.0666	Q
01.02.0667	R
01.02.0668	S
01.02.0669	T
01.02.0670	U
01.02.0671	V
01.02.0672	W
01.02.0673	X
01.02.0674	Y
01.02.0675	Z

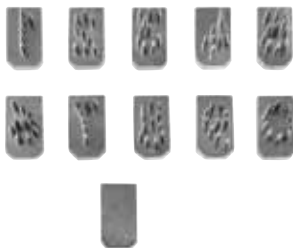


METAL TATTOO PLIERS TWO ROWS
10 DIGITS 8 MM (5/16") - WITHOUT
NUMBERS

01.02.0041

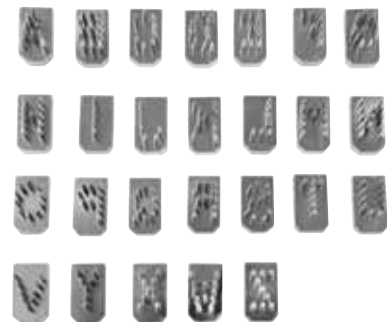
RUBBER STOP SPARE PART FOR
TWO ROWS PLIERS 10 DIGITS 8MM
(5/16")

01.02.0045



NUMBER METAL BASE FOR TATTOO
PLIERS 8 MM (5/16") TWO ROWS
10 DIGITS

01.02.0700	0
01.02.0701	1
01.02.0702	2
01.02.0703	3
01.02.0704	4
01.02.0705	5
01.02.0706	6
01.02.0707	7
01.02.0708	8
01.02.0709	9
01.02.0715	EMPTY CHARACTER



METAL BASE LETTER FOR TATTOO
PLIERS 8 MM (5/16") TWO ROWS
10 DIGITS

01.02.0750	A
01.02.0751	B
01.02.0752	C
01.02.0753	D
01.02.0754	E
01.02.0755	F
01.02.0756	G
01.02.0757	H
01.02.0758	I
01.02.0759	J
01.02.0760	K
01.02.0761	L
01.02.0762	M
01.02.0763	N
01.02.0764	O
01.02.0765	P
01.02.0766	Q
01.02.0767	R
01.02.0768	S
01.02.0769	T
01.02.0770	U
01.02.0771	V
01.02.0772	W
01.02.0773	X
01.02.0774	Y
01.02.0775	Z



METAL TATTOO PLIERS "KETCHUM
101" 7 DIGITS 6 MM (15/64") -
WITHOUT NUMBERS

01.02.0046



SET OF NUMBERS (0-9) METAL BASE
FOR TATTOO PLIERS "KETCHUM 101"
6 MM (15/64") 7 DIGITS

01.02.0910

METAL BASE NUMBER FOR TATTOO
PLIERS "KETCHUM 101" 6 MM
(15/64") 7 DIGITS

01.02.0900	0
01.02.0901	1
01.02.0902	2
01.02.0903	3
01.02.0904	4
01.02.0905	5
01.02.0906	6
01.02.0907	7
01.02.0908	8
01.02.0909	9



SET OF LETTERS (26 LETTERS A-Z)
METAL BASE FOR TATTOO PLIERS
"KETCHUM 101" 6 MM (15/64") 7
DIGITS

01.02.0980

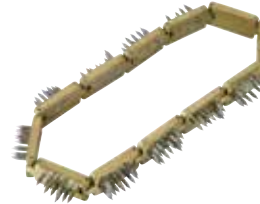
METAL BASE LETTER FOR TATTOO
PLIERS "KETCHUM 101" 6 MM
(15/64") 7 DIGITS

01.02.0950	A
01.02.0951	B
01.02.0952	C
01.02.0953	D
01.02.0954	E
01.02.0955	F
01.02.0956	G
01.02.0957	H
01.02.0958	I
01.02.0959	J
01.02.0960	K
01.02.0961	L
01.02.0962	M
01.02.0963	N
01.02.0964	O
01.02.0965	P
01.02.0966	Q
01.02.0967	R
01.02.0968	S
01.02.0969	T
01.02.0970	U
01.02.0971	V
01.02.0972	W
01.02.0973	X
01.02.0974	Y
01.02.0975	Z



ROTARY TATTOO PLIERS
10 MM (3/8")

01.02.0034	4 DIGITS
01.02.0035	5 DIGITS



SPARE NUMBER KIT FOR ROTARY
TATTOO PLIERS 4 AND 5 DIGITS

01.02.0039



RAIDEX TATTOOING PASTE
TUBE 60 G

01.02.0511	BLACK
01.02.0521	GREEN



RAIDEX TATTOOING PASTE BOX
600 G

01.02.0512	BLACK
01.02.0522	GREEN



RAIDEX ROLL-ON TATTOOING INK
80 ML

01.02.0526	BLACK
01.02.0527	GREEN



PECKER TATTOOING SPRAY
300 ML BLACK

01.02.0514



KETCHUM TATTOOING PASTE TUBE
140 G GREEN

01.02.0540



KETCHUM TATTOOING PASTE BOX
643 G GREEN

01.02.0542



MARKING STICK "RAIDEX" 57 G

01.03.0001	RED
01.03.0002	GREEN
01.03.0003	BLUE
01.03.0004	VIOLET
01.03.0005	BLACK
01.03.0006	ORANGE
01.03.0007	YELLOW
01.03.0008	WHITE
01.03.0009	FLUO PINK

NEW!



MARKING STICK "ZOOMARC PLUS" 68 G

01.03.0031	RED
01.03.0032	GREEN
01.03.0033	BLUE
01.03.0034	VIOLET
01.03.0035	BLACK
01.03.0036	ORANGE
01.03.0037	YELLOW



MARKING SPRAY "RAIDEX" 400 ML

01.03.0321	RED
01.03.0322	BLUE
01.03.0323	GREEN
01.03.0324	VIOLET
01.03.0326	ORANGE
01.03.0327	YELLOW



MARKING SPRAY "RAIDEX" 500 ML

01.03.0341	RED
01.03.0342	BLUE
01.03.0343	GREEN
01.03.0344	PURPLE
01.03.0346	ORANGE



MARKING SPRAY FOR SHEEP "RAIDEX" 500 ML

01.03.0351	RED
01.03.0352	BLUE
01.03.0353	GREEN
01.03.0355	BLACK
01.03.0356	ORANGE
01.03.0357	YELLOW

NEW!



MARKING SPRAY "RAIDEX" 200 ML

01.03.0311	RED
01.03.0312	BLUE
01.03.0313	GREEN



MEAT MARKING PENCIL "RAIDEX" BLUE

01.03.2113



MARKING CRAYON FOR HEAT DETECTION 57 G (10 pcs.)

06.01.0511	RED
06.01.0512	GREEN
06.01.0513	BLUE
06.01.0516	ORANGE
06.01.0517	YELLOW



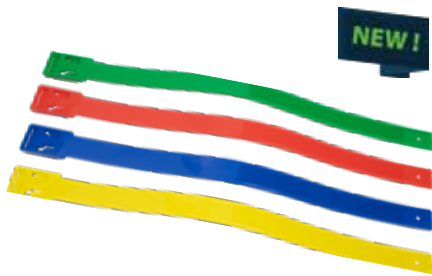
PLASTIC COLLAR FOR SHEEP
55 CM

01.04.0021	BLACK
01.04.0022	RED
01.04.0022M	MAGENTA
01.04.0023	BLUE
01.04.0024	GREEN
01.04.0025	YELLOW
01.04.0026	ORANGE
01.04.0027	FUCSIA



COLLAR FOR SHEEP WITH
REINFORCED LEATHER 25 MM
65 CM

01.04.0028	BLUE
01.04.0029	GREEN
01.04.0030	YELLOW



PLASTIC COLLAR FOR SHEEP 59 CM

QUANTITY 10 un.	QUANTITY un.	COLOUR
01.04.0017	01.04.0037	RED
01.04.0018	01.04.0038	BLUE
01.04.0019	01.04.0039	GREEN
01.04.0020	01.04.0040	YELLOW



FETLOCK STRAP - IABER

01.04.0045	PINK
01.04.0046	YELLOW
01.04.0047	RED
01.04.0048	BLUE
01.04.0049	GREEN
01.04.0050	ORANGE



VELCRO CATTLE LEGBAND
37 X 5 CM - IABER (5 pcs.)

01.04.0071	YELLOW
01.04.0072	RED
01.04.0073	BLUE
01.04.0074	GREEN
01.04.0075	ORANGE
01.04.0076	PINK





EAR NOTCHER 15 CM (6") - V SHAPE

01.04.0101



EAR NOTCHER 15 CM (6") - U SHAPE

01.04.0102



EAR NOTCHER 15 CM (6") - M SHAPE

01.04.0105



EAR NOTCHER 15 CM (6") - RECTANGULAR SHAPE

01.04.0103



EAR NOTCHER 18 CM (7") - V SHAPE

01.04.0111



EAR NOTCHER 18 CM (7") - U SHAPE

01.04.0110



EAR NOTCHER 15 CM (6") - ROUND HOLE 7 MM (7/64")

01.04.0107



EAR NOTCHER 23 CM (9") - ROUND HOLE 14 MM (9/16")

01.04.0116



SPARE SPRING FOR EAR NOTCHER

01.04.0109 **15 CM (6")**

01.04.0151 **18 CM (7")**

01.04.0153 **23 CM (9")**



EAR NOTCHER HORIZONTAL - ROUND HOLE Ø 9 MM (7/20") SUPERIOR QUALITY

01.04.0143



EAR NOTCHER HORIZONTAL - ROUND HOLE Ø 7 MM SUPERIOR QUALITY

01.04.0144



02



VETERINARY EQUIPMENT





SYRINGE "SMART"
TRANSPARENT - 5ML

02.01.2301



SYRINGE "SMART"
BLACK - 10 ML

02.01.2302



SYRINGE "SMART"
GREEN - 20 ML

02.01.2303



SYRINGE "SMART"
BLUE - 30 ML

02.01.2304



SYRINGE "SMART"
TRANSPARENT - 50 ML

02.01.2305



SYRINGE "SMART"
BLUE - 100 ML

02.01.2306



SPARE O-RING FOR SMART SYRINGE

02.01.2551	5 ML
02.01.2552	10 ML
02.01.2553	20 ML
02.01.2554	30 ML
02.01.2555	50 ML
02.01.2556	100 ML

NEW!



SYRINGE SMART ALUPLAST 5 ML

02.01.2211

NEW!



SYRINGE SMART ALUPLAST 10 ML

02.01.2212

NEW!



SYRINGE SMART ALUPLAST 20 ML

02.01.2213

NEW!



SYRINGE SMART ALUPLAST 30 ML

02.01.2214

NEW!



SYRINGE SMART ALUPLAST 50 ML

02.01.2215

NEW!



SYRINGE SMART ALUPLAST 100 ML

02.01.2216

NEW!



SYRINGE SMART INOXPLAST
WITH EXTENSION 45 CM

02.01.2332	10 ML
02.01.2333	20 ML
02.01.2334S	30 ML
02.01.2335	50 ML

NEW!



SYRINGE SMART INOXPLAST
WITH EXTENSION 95 CM

02.01.2337	10 ML
02.01.2338	20 ML
02.01.2339S	30 ML
02.01.2340	50 ML



DRENCHER "IMEX" WITH CANNULA

02.01.2013	250 ML
02.01.2016	400 ML



DRENCHER "IAMU" 400 ML WITH CANNULA

02.01.2019



SYRINGE "SMART" 100 ML WITH CANNULA AND LUER LOCK

02.01.2006



SPARE CANNULA FOR "IMEX" DRENCHER

02.01.2043



SPARE O-RING FOR "IMEX" DRENCHER 250 ML

02.01.2508	250 ML
02.01.2509	400 ML



SPARE CANNULA FOR "IAMU" DRENCHER

02.01.2053



SPARE O-RING FOR "IAMU" DRENCHER 400 ML

02.01.2510



DRENCHING CANNULA 120 X 6 MM LUER LOCK

02.01.3158



MANUAL SEMIAUTOMATIC "GUMADOSE" 300 ML DRENCHER

02.01.3225



SPARE PARTS KIT "GUMADOSE" 300 ML

02.01.3242



CANNULA FOR "GUMADOSE" 300 ML DRENCHER - 20 CM

02.01.3247

SUSA



NEW!

MANUAL DRENCHER "SUSA"

02.01.3226	35 ml
02.01.3227	70 ml
02.01.3228	200 ml
02.01.3229	300 ml
02.01.3230	500 ml



NEW!

SPARE CANNULA FOR DRENCHING GUN "SUSA"

02.01.3232	13,5 cm	35 ml
		70 ml
02.01.3233	21 cm	200 ml
		300 ml
02.01.3234	25,5 cm	500 ml



NEW!

SPARE GASKET FOR DRENCHING GUN "SUSA"

02.01.3286	35 ml
02.01.3287	70 ml
02.01.3288	200 ml
02.01.3289	300 ml
02.01.3290	500 ml



DRENCHING GUN "IAPLAST" 50 ML WITH CANNULA

02.01.4185



SPARE GASKETS FOR "IAPLAST" DRENCHING GUN

02.01.4190



SPARE CYLINDER FOR "IAPLAST" DRENCHING GUN

02.01.4195



SPARE CANNULA WITH CONNECTION FOR "IAPLAST" DRENCHING GUN

02.01.4197

DOSEMET

NEW!



AUTOMATIC METAL DRENCHER
"DOSEMET" WITH CANNULA

02.01.4352

10 ML

NEW!



AUTOMATIC METAL DRENCHER
"DOSEMET" WITH CANNULA

02.01.4353

20 ML

NEW!



AUTOMATIC METAL DRENCHER
"DOSEMET" WITH CANNULA

02.01.4354

30 ML

NEW!



AUTOMATIC METAL DRENCHER
"DOSEMET" WITH CANNULA

02.01.4355

50 ML



SPARE CANNULA FOR DRENCHER
"DOSEMET" 50 ML

02.01.4348



SPARE CANNULA FOR DRENCHER
"DOSEMET" 10-20-30 ML

02.01.4346



SPARE CANNULA FIXING RING FOR
DRENCHER "DOSEMET"

02.01.4347	10-20-30 ml
02.01.4349	50 ml



SPARE CYLINDER FOR DRENCHER "DOSEMET"

02.01.4357	10 ml
02.01.4358	20 ml
02.01.4359	30 ml
02.01.4360	50 ml



SPARE PARTS KIT FOR DRENCHER "DOSEMET"

02.01.4342	10 ml
02.01.4343	20 ml
02.01.4344	30 ml
02.01.4345	50 ml



AUTOMATIC "SMARTDOSE" DRENCHER WITH CANNULA

02.01.4220 **30 ML**



AUTOMATIC "SMARTDOSE" DRENCHER WITH CANNULA

02.01.4225 **60 ML**



SPARE CYLINDER FOR "SMARTDOSE" 30 ML DRENCHER

02.01.4260



SPARE CANNULA 12 CM FOR "SMARTDOSE" DRENCHER

02.01.4280



SPARE O-RING FOR "SMARTDOSE" 30 ML DRENCHER

02.01.4270



EXTENSION WITH LONG BENT FEEDING CANNULA FOR "SMARTDOSE" DRENCHER

02.01.4290

TOPICAL USE



AUTOMATIC "SMARTDOSE" DRENCHER 30 ML POUR-ON

02.01.4242



AUTOMATIC METAL DRENCHER "DOSAPLUS"
WITH CANNULA - VETERINARY USE

02.01.3269	20 ML
02.01.3270	30 ML



SET OF SPARE GASKETS FOR
DRENCHER "DOSAPLUS"

02.01.3284	20 ML
02.01.3285	30 ML



SPARE CYLINDER FOR DRENCHER
"DOSAPLUS" 20 ML

02.01.3279



1 L BACKPACK BOTTLE WITH CLOSING
CAP, SUCTION CAP AND STRAPS

02.01.5102

1 L BACKPACK BOTTLE WITH
CLOSING CAP

02.01.5107



5 L BACKPACK TANK FOR
VACCINATOR (WITH CAP +
SUCTION CAP + SHOULDER STRAPS)
- COMPLETE

02.01.5115



BACKPACK BOTTLE 2,5 L

02.01.5103



SPARE CAP FOR BACKPACK
BOTTLE 2,5 L

02.01.5122

BAXIDOSE

NEW!



AUTOMATIC DRENCHER "BAXIDOSE" WITH TUBE

02.01.4122	LUER LOCK	10 ML
02.01.4126	LUER LOCK	20 ML

NEW!



AUTOMATIC DRENCHER "BAXIDOSE" WITH TUBE

02.01.4121	ORAL	10 ML
02.01.4125	ORAL	20 ML
02.01.4128	ORAL	30 ML
02.01.4136	ORAL	60 ML

NEW!



AUTOMATIC DRENCHER "BAXIDOSE" WITH TUBE

02.01.4127	POUR-ON	20 ML
02.01.4130	POUR-ON	30 ML
02.01.4138	POUR-ON	60 ML



LUER LOCK FOR
DRENCHER "BAXIDOSE"

02.01.4167



ORAL CANNULA FOR
DRENCHER "BAXIDOSE"

02.01.4168



PUOR ON CANNULA FOR
DRENCHER "BAXIDOSE"

02.01.4170



REPLACEMENT CYLINDER
FOR DRENCHER "BAXIDOSE"

02.01.4161	10 ML
02.01.4162	20 ML
02.01.4163	30 ML
02.01.4165	60 ML



O-RING FOR DRENCHER
"BAXIDOSE"

02.01.4151	10 ML
02.01.4152	20 ML
02.01.4153	30 ML
02.01.4155	60 ML



SPARE KIT OF VALVES AND
SPRINGS FOR DRENCHER
"BAXIDOSE"

02.01.4150

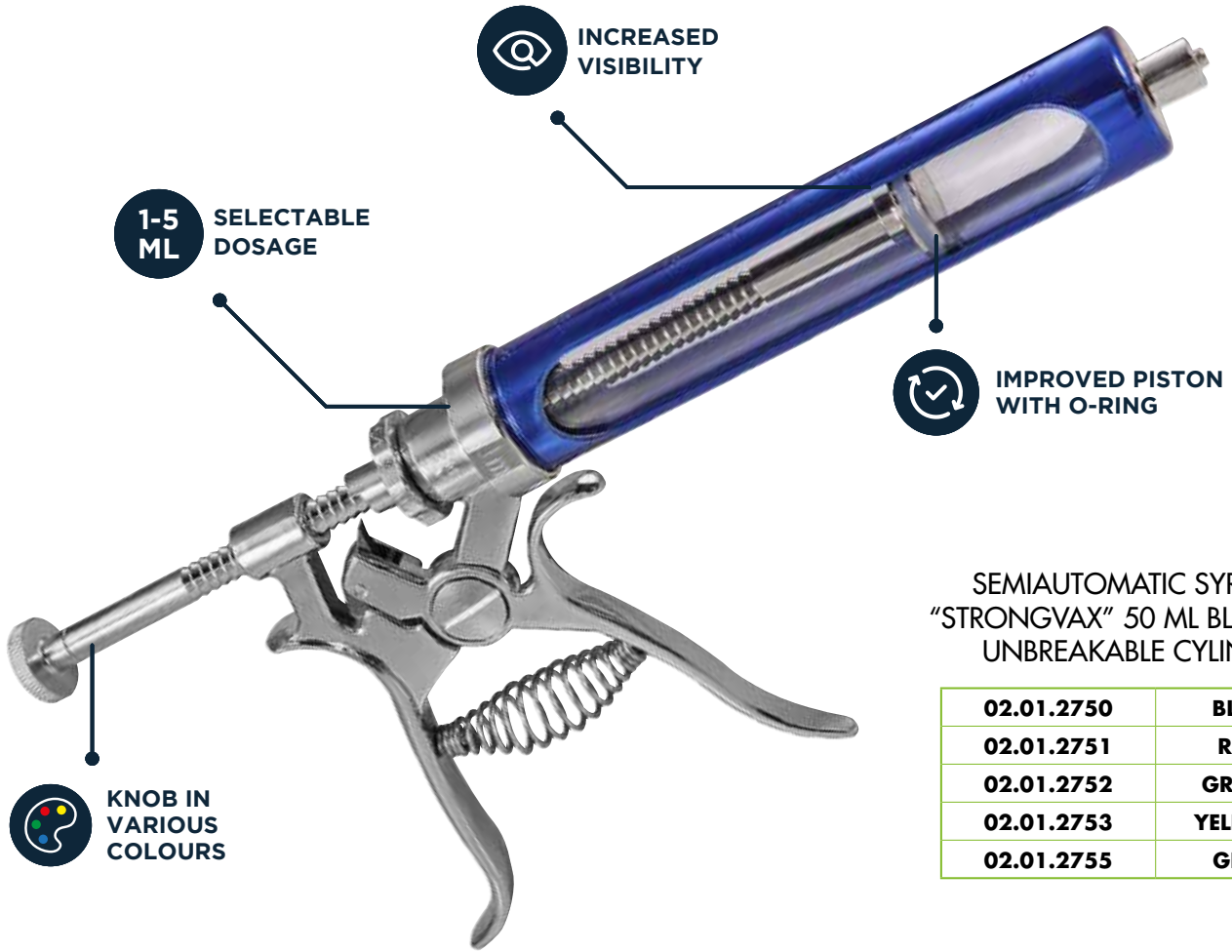




STRONGVAX 50 ML



Sisita for page in refedication



INCREASED VISIBILITY

1-5 ML SELECTABLE DOSAGE

IMPROVED PISTON WITH O-RING

KNOB IN VARIOUS COLOURS

SEMI-AUTOMATIC SYRINGE
"STRONGVAX" 50 ML BLUE WITH
UNBREAKABLE CYLINDER

02.01.2750	BLUE
02.01.2751	RED
02.01.2752	GREEN
02.01.2753	YELLOW
02.01.2755	GREY

UNBREAKABLE PLASTIC CYLINDER



02.01.8099

**AS CLEAR AS GLASS,
AS STRONG AS IRON**



**AVAILABLE WITH
EXTENSION**

SEMI-AUTOMATIC SYRINGE "STRONGVAX" 50
ML BLUE WITH UNBREAKABLE CYLINDER AND
EXTENSION - 45 CM

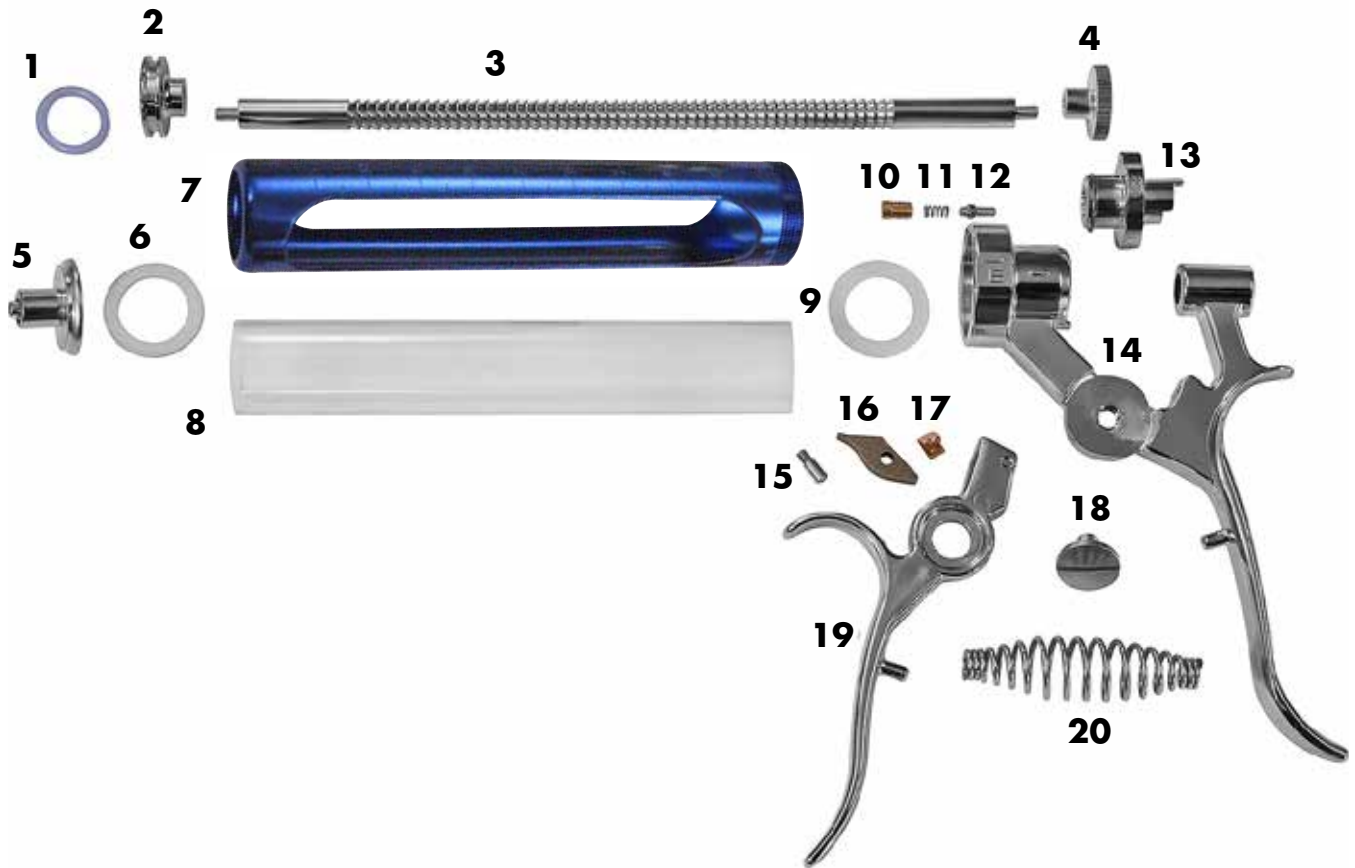
02.01.2761



**AVAILABLE WITH
EXTENSION**

SEMI-AUTOMATIC SYRINGE "STRONGVAX" 50
ML BLUE WITH UNBREAKABLE CYLINDER AND
EXTENSION - 95 CM

02.01.2756



AVAILABLE SPARE PARTS

1	02.01.3512	SPARE PLUNGER O-RING FOR "STRONGVAX" 50 ML SYRINGE
1	02.01.2791	RED PISTON O-RING FOR "STRONGVAX" 50 ML SYRINGE
2	02.01.2790	SPARE PLUNGER FOR "STRONGVAX" 50 ML SYRINGE
3	02.01.2789	SPARE PUSHING ROD FOR "STRONGVAX" 50 ML SYRINGE
4	02.01.2781	SPARE REAR KNOB FOR "STRONGVAX" 50 ML SYRINGE
5	02.01.2782	SPARE LUER LOCK TIP FOR "STRONGVAX" 50 ML SYRINGE - COMPATIBLE WITH "MUTO" SYRINGE
6	02.01.2774	SPARE TIP-CYLINDER GASKET FOR "STRONGVAX" 50 ML SYRINGE
7	02.01.2810	BLUE SPARE METAL BARREL WITH WIDE SLOT FOR "STRONGVAX" 50 ML SYRINGE
8	02.01.8099	UNBREAKABLE PLASTIC CYLINDER FOR "STRONGVAX" COMPATIBLE WITH "MUTO" SYRINGE
9	02.01.2773	SPARE CYLINDER-HANDLE PLASTIC GASKET FOR "STRONGVAX" 50 ML SYRINGE
10	02.01.2783	SPARE DOSAGE DIAL SCREW FOR "STRONGVAX" 50 ML SYRINGE
11	02.01.2772	SPARE DOSAGE DIAL INNER SPRING FOR "STRONGVAX" 50 ML SYRINGE
12	02.01.2769	SPARE DOSAGE DIAL INNER LINCHPIN FOR "STRONGVAX" 50 ML SYRINGE
13	02.01.2786	SPARE DOSAGE DIAL FOR "STRONGVAX" 50 ML SYRINGE
14	02.01.2784	SPARE BACK HANDLE FOR "STRONGVAX" 50 ML SYRINGE
15	02.01.2788	SPARE PUSHING RATCHET LINCHPIN FOR "STRONGVAX" 50 ML SYRINGE
16	02.01.2785	SPARE PUSHING RATCHET FOR "STRONGVAX" 50 ML SYRINGE
17	02.01.2787	SPARE PUSHING RATCHET SPRING FOR "STROGVAX" 50 ML SYRINGE
18	02.01.2771	SPARE HANDLE SCREW FOR "STRONGVAX" 50 ML SYRINGE
19	02.01.2770	SPARE FRONT HANDLE/TRIGGER FOR "STRONGVAX" 50 ML SYRINGE
20	02.01.2778	HANDLE SPRING FOR "STRONGVAX" 50 ML SYRINGE



SPARE REAR KNURLED KNOB FOR SIRYNGE

02.01.2801	BLACK/RED
02.01.2802	BLACK/GREEN
02.01.2803	BLACK/BLUE
02.01.2804	BLACK/YELLOW



SPARE CHROMED CYLINDER FOR "STRONGVAX"

02.01.2810	BLUE
02.01.2811	RED
02.01.2812	GREEN
02.01.2813	YELLOW
02.01.2776	GREY



UNBREAKABLE PLASTIC CYLINDER FOR ROUX 50 ML

02.01.7760

HAUPTNER MUTO 50 ML



HAUPTNER MUTO SYRINGE 50 ML WITH
UNBREAKABLE CYLINDER

02.01.2925



OUTER CYLINDER WITH WIDER
OPENINGS FOR "HAUPTNER MUTO"
SYRINGE - BLUE

02.01.2823



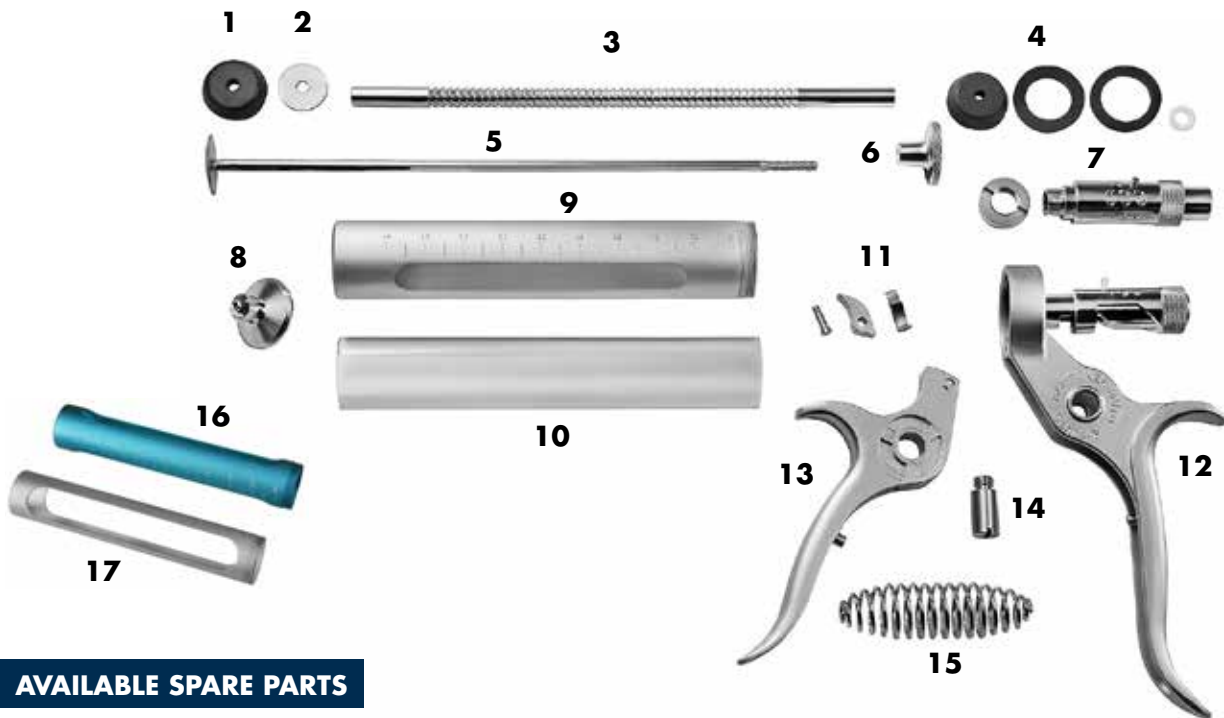
UNBREAKABLE PLASTIC CYLINDER

02.01.8099



HAUPTNER MUTO SYRINGE 50 ML WITH UNBREAKABLE CYLINDER AND EXTENSION 95 CM

02.01.2940



AVAILABLE SPARE PARTS

1	02.01.2965	PLUNGER RUBBER SEAL FOR "MUTO 50 ML" SYRINGE
2	02.01.2976	METAL PLATE FOR PLUNGER COMPRESSION
3	02.01.2974	OUTER SERRATED ROD OF THE PLUNGER FOR "STRONGVAX" SYRINGE
4	02.01.2966	SPARE GASKETS FOR "MUTO 50 ML" SYRINGE
5	02.01.2973	INNER ROD OF THE PLUNGER FOR "STRONGVAX" SYRINGE
6	02.01.2977	REAR SCREWED KNOB FOR PLUNGER COMPRESSION FOR "MUTO 50 ML" SYRINGE
7	02.01.2970	DOSING SELECTOR FOR "MUTO 50 ML" SYRINGE
7	02.01.2971	DOSING SELECTOR LINCHPIN FOR "MUTO 50 ML" SYRINGE
8	02.01.2978	CAP WITH LUER LOCK CONNECTION FOR "MUTO 50 ML" SYRINGE
8	02.01.2979	CAP WITH THREADED CONNECTION FOR "MUTO 50 ML" SYRINGE
9	02.01.2969	CYLINDER METAL COVER FOR "MUTO 50 ML" SYRINGE
10	02.01.8099	UNBREAKABLE PLASTIC CYLINDER FOR "STRONGVAX" 50 ML COMPATIBLE WITH "MUTO" SYRINGE
11	02.01.2982	KIT PIVOT+SPRING+TOOTH FOR "MUTO 50 ML" SYRINGE
12	02.01.2980	BACK HANDLE (WITH DOSING SELECTOR) FOR "MUTO 50 ML" SYRINGE
13	02.01.2981	FRONT HANDLE/TRIGGER FOR "MUTO 50 ML" SYRINGE
14	02.01.2968	JOINING SCREW FOR HANDLE "MUTO 50 ML" SYRINGE
15	02.01.2967	SPRING FOR HANDLE "MUTO 50 ML" SYRINGE
16	02.01.2823	OUTER CYLINDER WITH WIDER OPENINGS FOR "HAUPTNER MUTO" SYRINGE - LIGHT BLUE
17	02.01.2820	OUTER CYLINDER WITH WIDER OPENINGS FOR "HAUPTNER MUTO" SYRINGE - GREY

REVOLVERMATIK



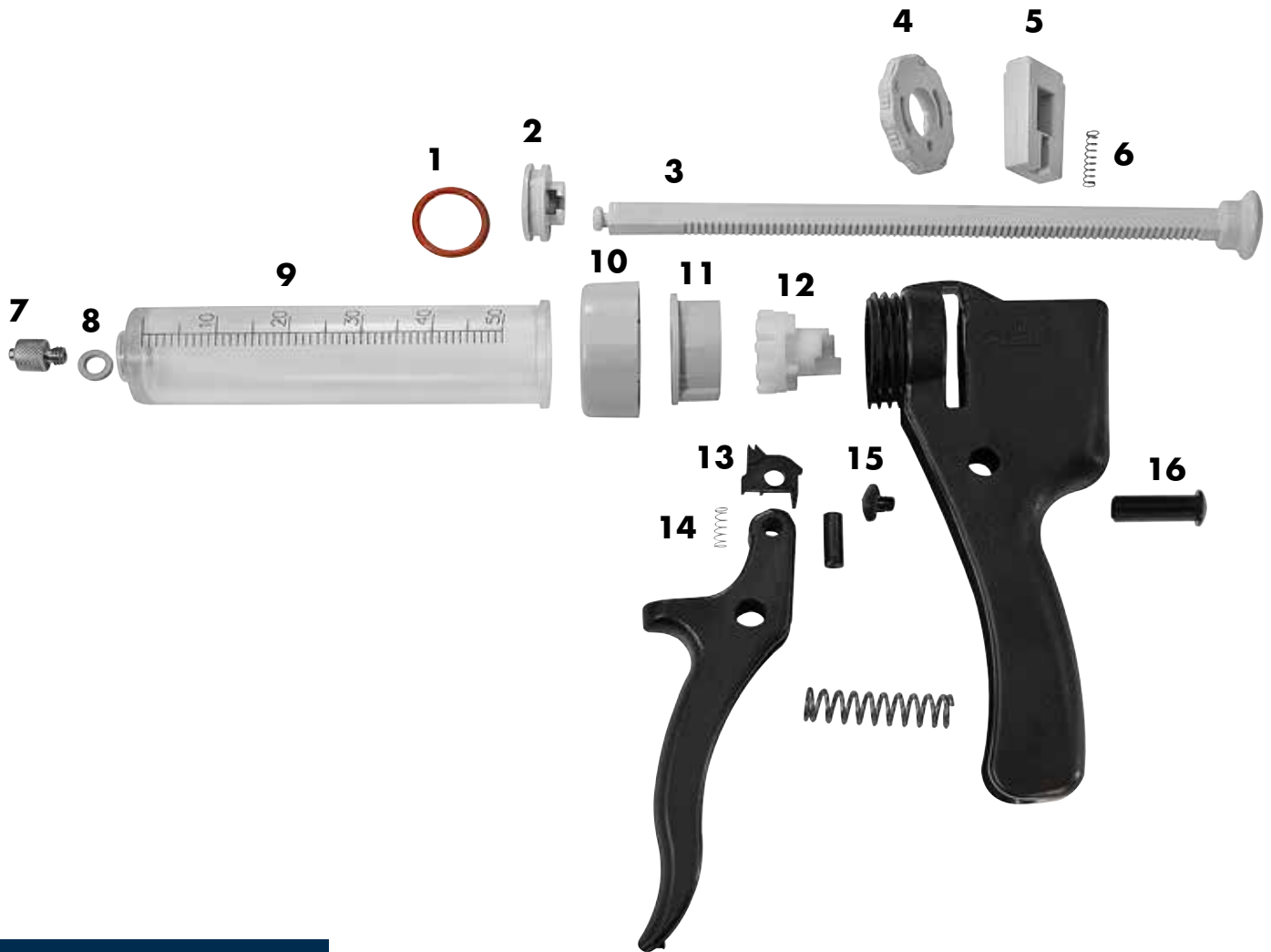
SEMI AUTOMATIC SYRINGE
"REVOLVERMATIK" WITH ADJUSTABLE DOSE

CODE	VOLUME	DOSING
02.01.3001	10 ML	0,25 - 0,5 - 0,75 - 1 - 1,25 ml
02.01.3002	25 ML	0,5 - 1 - 1,5 - 2 - 2,5 ml
02.01.3003	50 ML	1 - 2 - 3 - 4 - 5 ml

LIGHT AND EASY TO HANDLE

MADE WITH STRONG AND DURABLE MATERIAL

ANTIREFLUX



AVAILABLE SPARE PARTS

	10 ML	25 ML	50 ML	
1	02.01.3511	02.01.3512	02.01.3513	SPARE PLUNGER O-RING FOR "REVOLVERMATIK" AND "STRONGVAX" 50 ML SYRINGE
2	02.01.3521	02.01.3522	02.01.3523	SPARE PLUNGER FOR "REVOLVERMATIK" 50 ML SYRINGE
3	02.01.3553	02.01.3553	02.01.3553	SPARE DOSING ROD FOR "REVOLVERMATIK" SYRINGE
4	02.01.3541	02.01.3542	02.01.3543	SPARE DOSAGE DIAL FOR "REVOLVERMATIK" 50 ML SYRINGE
5	02.01.3554	02.01.3554	02.01.3554	SPARE ANTI-REFLUX FOR "REVOLVERMATIK" SYRINGE
6	02.01.3556	02.01.3556	02.01.3556	SPARE ANTI-REFLUX SPRING FOR "REVOLVERMATIK" SYRINGE
7	02.01.3550	02.01.3550	02.01.3550	SPARE LUER LOCK TIP FOR "REVOLVERMATIK" SYRINGE
8	02.01.3551	02.01.3551	02.01.3551	GASKET FOR LL TIP FOR "REVOLVERMATIK" SYRINGE
9	02.01.3501	02.01.3502	02.01.3503	SPARE PLASTIC CYLINDER FOR "REVOLVERMATIK" 50 ML SYRINGE
10	02.01.3531	02.01.3532	02.01.3533	SPARE PLASTIC RING FOR "REVOLVERMATIK" 50 ML SYRINGE
11	02.01.3558	02.01.3558	02.01.3558	SPARE PLUNGER REAR STOPPING PLATE FOR "SMARTMATIK" SYRINGE
12	02.01.3557	02.01.3557	02.01.3557	SPARE INNER DOSAGE DIAL FOR "REVOLVERMATIK" SYRINGE
13	02.01.3552	02.01.3552	02.01.3552	SPARE PUSHING RATCHET + SPRING FOR "REVOLVERMATIK" SYRINGE
14	02.01.3555	02.01.3555	02.01.3555	SPARE PUSHING RATCHET SPRING FOR "REVOLVERMATIK" SYRINGE
15	02.01.3561	02.01.3561	02.01.3561	SPARE CAP FOR HANDLE LINCHPIN FOR "REVOLVERMATIK" SYRINGE
16	02.01.3562	02.01.3562	02.01.3562	SPARE HANDLE LINCHPIN FOR "REVOLVERMATIK" SYRINGE
	02.01.3516	02.01.3517	02.01.3518	SET OF SPARE SPRINGS - O RING REVOLVERMATIK 50 ML

SMARTMATIK



Scan for more information



REPLACEABLE VALVE

AUTOMATIC SYRINGE
"SMARTMATIK" WITH BOTTLE
HOLDER AND ADAPTER

02.01.4442	2 ML
02.01.4445	5 ML

AUTOMATIC SYRINGE
"SMARTMATIK" WITH TUBE

02.01.4402	2 ML
02.01.4405	5 ML





SPARE BOTTLE ADAPTER FOR "SMARTMATIK" SYRINGE

02.01.4492	SMALL
02.01.4493	MEDIUM
02.01.4516	LARGE



SPARE CYLINDER FOR "SMARTMATIK" 2 ML SYRINGE WITH BOTTLE HOLDER AND REPLACEABLE VALVE

02.01.4448	2 ML
02.01.4449	5 ML



PROTECTIVE BOTTLE HOLDER - STANDARD- FOR "SMARTMATIK" SYRINGE

02.01.4499	100 ML
02.01.4519	250 ML



SPARE LUER LOCK TIP FOR "SMARTMATIK" SYRINGE

02.01.4490
02.01.4518



SPARE BOTTLE HOLDER RUBBER INSERT FOR "SMARTMATIK" SYRINGE

02.01.4494



SPARE SPRINGS, VALVES, O-RING FOR "SMARTMATIK" WITH BOTTLE HOLDER

02.01.4482	2 ML
02.01.4485	5 ML



SPARE SPRINGS, VALVES, O-RING FOR "SMARTMATIK" WITH TUBE

02.01.4514	2 ML
02.01.4515	5 ML



SPARE CYLINDER "SMARTMATIK" WITH TUBE

02.01.4508	2 ML
02.01.4510	5 ML



SPARE CONNECTION TUBE FOR "SMARTMATIK" SYRINGE

02.01.4517



SPARE FLEXIBLE DIP TUBE 100 CM FOR SYRINGE

02.01.3318	100 CM
02.01.3370	120 CM

ROTAMATIK



Scan for more information



AUTOMATIC "ROTAMATIK" SYRINGE WITH BOTTLE HOLDER

02.01.4642	2 ML
02.01.4645	6 ML

REPLACEABLE VALVE



AUTOMATIC SYRINGE "ROTAMATIK" WITH BACK TUBE

02.01.4626	0,5 ML
02.01.4627	2 ML
02.01.4629	6 ML
02.01.4630	10 ML



AUTOMATIC SYRINGE "ROTAMATIK" WITH BACK TUBE AND BOTTLE HOLDER KIT

02.01.4637	2 ML
02.01.4639	6 ML
02.01.4640	10 ML



SPARE BOTTLE HOLDER KIT FOR "ROTAMATIK" SYRINGE WITH BACK TUBE

02.01.4681



PROTECTIVE BOTTLE HOLDER - STANDARD

02.01.4499 **100 ML**

02.01.4519 **250 ML**



SPARE SETS OF FRONT AND TOP O-RINGS AND SPRINGS FOR "ROTAMATIK" SYRINGE WITH BOTTLE HOLDER

02.01.4647 **2 ML**

02.01.4649 **6 ML**



SPARE BOTTLE ADAPTER FOR "SMARTMATIK" SYRINGE

02.01.4492 **PICCOLO**

02.01.4493 **MEDIO**

02.01.4516 **GRANDE**



SPARE BOTTLE HOLDER RUBBER INSERT FOR "ROTAMATIK" SYRINGE

02.01.4494



SPARE LUER LOCK CONNECTION FOR "ROTAMATIK" SYRINGE

02.01.4670



SPARE FLEXIBLE DIP TUBE 100 CM FOR SYRINGE

02.01.3318 **100 CM**

02.01.3370 **120 CM**



SPARE VALVES AND GASKETS KIT FOR "ROTAMATIK" SYRINGE WITH BACK TUBE

02.01.4685 **0,5 ML**

02.01.4687 **2 ML**

02.01.4688 **10 ML**

02.01.4689 **6 ML**



SPARE CYLINDER FOR "ROTAMATIK" SYRINGE WITH BACK TUBE

02.01.4690 **0,5 ML**

02.01.4692 **2 ML**

02.01.4694 **6 ML**

02.01.4695 **10 ML**

BAXMATIK



NEW!

AUTOMATIC SYRINGE "BAXMATIK"
2 ML WITH SMALL BOTTLE HOLDER
ADAPTER

02.01.4362	2 ML
02.01.4365	5 ML
02.01.4367	12 ML





VACCINATOR VALVE, SPRING AND GASKET SPARE KIT "BAXMATIK"

02.01.4372	2 ML
02.01.4373	5 ML
02.01.4374	12 ML



REPLACEMENT CYLINDER FOR VACCINATOR "BAXMATIK"

02.01.4376	2 ML
02.01.4377	5 ML
02.01.4378	12 ML



TIP LUER LOCK REPLACEMENT FOR VACCINATOR "BAXMATIK"

02.01.4380



VACCINATOR BOTTLE HOLDER NEEDLE REPLACEMENT "BAXMATIK"

02.01.4381



REPLACEMENT FLACON HOLDER CONNECTOR FOR VACCINATOR "BAXMATIK"

02.01.4382	SMALL
02.01.4383	MEDIUM
02.01.4384	LARGE

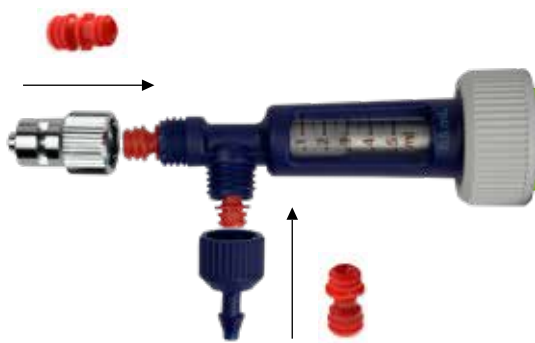
SOCOREX ULTRA



NEW!

AUTOMATIC SYRINGE "SOCOREX ULTRA" WITH TUBE

02.01.4802	0,2 ML
02.01.4807	2 ML



NEW VALVES EASILY REPLACEABLE DURING CLEANING



AUTOMATIC SYRINGE "SOCOREX ULTRA" WITH TUBE

02.01.4801	0,1 ML
02.01.4803	0,3 ML
02.01.4805	0,5 ML
02.01.4806	1 ML



SPARE PLUNGER FOR "SOCOREX ULTRA" SYRINGE

02.01.4861	0,1 ML
02.01.4863	0,3 ML
02.01.4865	0,5 ML
02.01.4866	1 ML
02.01.4867	2 ML



SPARE CYLINDER FOR "SOCOREX ULTRA" SYRINGE

02.01.4851	0,1 ML
02.01.4852	0,2 ML
02.01.4853	0,3 ML
02.01.4855	0,5 ML
02.01.4856	1 ML
02.01.4857	2 ML



SPARE PLUNGER SEAL FOR "SOCOREX ULTRA" SYRINGE (10)

02.01.4871	0,1 ML
02.01.4872	0,2 ML
02.01.4873	0,3 ML



SPARE RED INLET VALVE FOR "SOCOREX ULTRA" SYRINGE

02.01.4881	0,1 - 0,5 ML	RED
02.01.4883	1 - 2 ML	YELLOW



SPARE RED OUTLET VALVE FOR "SOCOREX ULTRA" SYRINGE

02.01.4882	0,1 - 0,5 ML	RED
02.01.4884	1 - 2 ML	YELLOW



SPARE PART CONNECTION HEAD WITH TUBE FOR "SOCOREX 1810 ULTRA" SYRINGE

02.01.4885	0,1 - 0,5 ML
02.01.4886	1 - 2 ML



SPARE LUER LOCK HEAD FOR "SOCOREX ULTRA"

02.01.4888	0,1 - 0,5 ML
02.01.4889	1 - 2 ML



CLIP FOR HANDLE BLOCK SOCOREX 287 (10)

02.01.3659



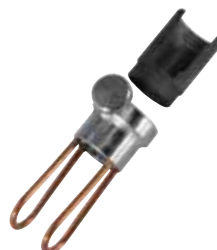
KIT BOTTLE HOLDER FOR "ULTRA 1810 SOCOREX" SYRINGE

02.01.4810
02.01.4811 - TUBE



ABACUS SHOTS COUNTER SYSTEM FOR "SOCOREX 1810 ULTRA" SYRINGE

02.01.4836	0,1 E 0,2 ML
02.01.4837	0,3 E 0,5 ML



FISH VACCINATION GUIDE -SMALL- FOR "SOCOREX 1810 ULTRA" SYRINGE

02.01.4831	15 MM
02.01.4832	25 MM
02.01.4833	45 MM



SPARE RING FOR FISH GUIDE FOR "SOCOREX 1810 ULTRA" SYRINGE

02.01.4895	15 MM
02.01.4896	25 MM
02.01.4897	45 MM
02.01.4899	BLACK RING

SOCOREX 187

AUTOMATIC SYRINGE "SOCOREX 187" WITH TUBE



02.01.3635	0,3 ML
02.01.3600	0,5 ML
02.01.3637	1 ML

NEW!

02.01.3634	2 ML
02.01.3638	5 ML
02.01.3639	10 ML



SOCOREX 287

AUTOMATIC DOUBLE SYRINGE "SOCOREX 287" WITH TUBE



02.01.3656	0,3 ML
02.01.3652	0,5 ML
02.01.3651	1 ML



**TIP UNIFICATION
SYSTEM**

Available individually*



SPARE LUER LOCK HEAD FOR "SOCOREX 187-287" SYRINGE

02.01.3601



SPARE PART CONNECTION HEAD WITH TUBE FOR "SOCOREX 187-287" SYRINGE

02.01.3602



SPARE SOCKET FOR "SOCOREX 187-287" SYRINGE

02.01.3603



SPARE DOSAGE DIAL FOR "SOCOREX 187-287" SYRINGE

02.01.3604



SPARE SPRING FOR "SOCOREX 187-287" SYRINGE

02.01.3608



SPARE O-RINGS AND VALVES FOR "SOCOREX 187-287"

02.01.3619	0,3 ML
02.01.3620	0,5 ML
02.01.3621	1 ML
02.01.3622	2 ML
02.01.3625	5 ML
02.01.3623	10 ML



SPARE GLASS BARREL WITH PLUNGER FOR "SOCOREX 187-287" 0,5 ML SYRINGE

02.01.3605



SPARE PLUNGER FOR "SOCOREX 187"

02.01.3626	0,3 ML
02.01.3628	1 ML
02.01.3630	5 ML
02.01.3631	10 ML



SPARE GLASS BARREL FOR "SOCOREX 187"

02.01.3616	0,3 ML
02.01.3609	0,5 ML
02.01.3611	1 ML
02.01.3612	2 ML
02.01.3617	10 ML



PISTON ROD FOR ULTRA SYRINGE "187"

02.01.3632	0,5 ML
02.01.3633	1 ML



LUER LOCK HEAD "SOCOREX" DOUBLE SYRINGE WITH SINGLE EXIT

02.01.3650



CLIP FOR HANDLE BLOCK SOCOREX 287 (10)

02.01.3659

SERENA



AUTOMATIC SYRINGE "SERENA"
WITH FRONT BOTTLE HOLDER

02.01.3330	0,5 ML
02.01.3331	1 ML
02.01.3332	2 ML



AUTOMATIC SYRINGE "SERENA"
WITH REAR BOTTLE HOLDER

02.01.3348	5 ML
02.01.3344	12 ML



SPARE LUER LOCK TIP FOR "SERENA"
SYRINGE

02.01.3396



SPARE PLASTIC TIP OF THE BOTTLE
HOLDER "SERENA"

02.01.3365



SPARE BOTTLE HOLDER ADAPTER FOR
BOTTLE HOLDER "SERENA"

02.01.3366	BIG
02.01.3367	SMALL



SPARE O-RINGS AND VALVES FOR
"SERENA" SYRINGE

02.01.3380	0,5 ML
02.01.3381	1 ML
02.01.3382	2 ML
02.01.3383	5 ML
02.01.3384	12 ML



SPARE CYLINDER FOR "SERENA"
SYRINGE

02.01.3390	0,5 ML
02.01.3391	1 ML
02.01.3392	2 ML
02.01.3393	5 ML
02.01.3394	12 ML

SERENA



AUTOMATIC SYRINGE "SERENA"
WITH TUBE

02.01.3320	0,5 ML
02.01.3321	1 ML
02.01.3322	2 ML



AUTOMATIC SYRINGE "SERENA"
WITH TUBE

02.01.3323	5 ML
02.01.3324	12 ML



SPARE LUER LOCK TIP FOR "SERENA"
SYRINGE

02.01.3396



SPARE HEAD CONNECTION
FOR TUBE FOR "SERENA" SYRINGE

02.01.3398



SPARE O-RINGS AND VALVES FOR
"SERENA" SYRINGE

02.01.3380	0,5 ML
02.01.3381	1 ML
02.01.3382	2 ML
02.01.3383	5 ML
02.01.3384	12 ML



SPARE CYLINDER FOR "SERENA"
SYRINGE

02.01.3390	0,5 ML
02.01.3391	1 ML
02.01.3392	2 ML
02.01.3393	5 ML
02.01.3394	12 ML



SPARE FLEXIBLE DIP TUBE 100 CM
FOR SYRINGE

02.01.3318

DOUBLE SERENA



AUTOMATIC DOUBLE SYRINGE
"SERENA" WITH TUBE INDEPENDENT
ADJUSTMENT

02.01.3301	0,5 ML
02.01.3304	2 ML



AUTOMATIC DOUBLE SYRINGE
"SERENA" 2 - 2 ML INDEPENDENT
ADJUSTMENT WITH BOTTLE HOLDER

02.01.3852



SPARE GASKETS AND VALVES KIT FOR AUTOMATIC "SERENA" DOUBLE SYRINGE

02.01.3311	0,5 ML
02.01.3911	2 ML



SPARE CYLINDER FOR AUTOMATIC "SERENA" DOUBLE SYRINGE

02.01.3314	0,5 ML
02.01.3914	2 ML



SPARE LL HEAD FOR "SERENA" DOUBLE SYRINGE WITH DOUBLE EXIT

02.01.3306	29 MM GAP
02.01.3307	23 MM GAP
02.01.3308	SINGLE EXIT



SPARE FLEXIBLE DIP TUBE 100 CM FOR SYRINGE

02.01.3318	100 CM
02.01.3370	120 CM



SPARE HEAD CONNECTION FOR TUBE FOR "SERENA" SYRINGE

02.01.3398



ARTAVET



REPLACEABLE VALVE

NEW!



AUTOMATIC DOUBLE SYRINGE "ARTAVET" 2-2 ML - INDEPENDENT ADJUSTMENT WITH BOTTLE HOLDER AND HEAD CONNECTION

02.01.3580



SPARE LUER LOCK TIP FOR DOUBLE SYRINGE 2 ML

02.01.3586



SPARE KIT OF GASKETS AND VALVES FOR SYRINGE 2 ML

02.01.3587



BOTTLE HOLDER FOR "ARTAVET" SYRINGE

02.01.3588



SPARE BOTTLE MOUNT FOR "ARTAVET" SYRINGE

02.01.3589	SMALL
02.01.3590	MEDIUM
02.01.3591	LARGE

NEW!



METAL FEEDING BOTTLE NEEDLE FOR SYRINGES WITH TUBE

02.01.2600

NEW!



SOFT "VACART" TIP FOR INTRANASAL NEBULIZER - LUER LOCK

02.01.2635

NEW!



FLEXIBLE EXTENSION TUBE LUER LOCK VACART 100 CM

02.01.2615



DISPOSABLE PLASTIC FLEXIBLE EXTENSION TUBE "WARD" FOR SYRINGE - LUER LOCK

02.01.2613



FLEXIBLE EXTENSION TUBE FOR SYRINGE - LUER LOCK

02.01.2512



DRENCHING CANNULA 120 X 6 MM WITH THREAD CONNECTION

02.01.3050



DRENCHING CANNULA 120 X 6 MM LUER LOCK

02.01.3158



INTRA-RUMINAL NEEDLE LUER LOCK

02.01.3256



DOUBLE PLASTIC NEEDLE FOR TRANSFER - STERILE

02.04.5509



DOUBLE PLASTIC NEEDLE FOR TRANSFER - NON STERILE

02.04.5510



TUBE-BOTTLE CONNECTION FOR SYRINGES WITH TUBE

02.01.3151

SMART-THM



AUTOMATIC SYRINGE "SMART-H"
WITH TUBE

CODE	DOSE
02.01.4725	0,2/0,3/0,5ML



AUTOMATIC DOUBLE SYRINGE
"SMART-H" WITH TUBE

CODE	DOSE
02.01.4735	0,2/0,3/0,5ML



POULTRY SMALLPOX

NEW!



SPARE CYLINDER FOR "SOCOREX FULLPOX 185" POULTRY SMALLPOX SYRINGE

02.01.3697

SYRINGE FOR AVIAN POX "SOCOREX" - 185 - DOUBLE NEEDLE 15 ML

02.01.3695



SPARE NEEDLES FOR "SOCOREX FULLPOX 185" POULTRY SMALLPOX SYRINGE (2)

02.01.3698





AUTOMATIC SYRINGE "SERENA" 3 ML FOR POULTRY SMALLPOX

02.01.3350



SPARE GASKET AND NEEDLE FOR "SERENA" 3 ML FOR POULTRY SMALLPOX SYRINGE

02.01.3351



SPARE HANDLE FOR "SERENA" 3 ML FOR POULTRY SMALLPOX SYRINGE

02.01.3358



SPARE CYLINDER FOR "SERENA" 3 ML FOR POULTRY SMALLPOX SYRINGE

02.01.3353



SPARE NEEDLES AND GASKETS FOR "SMART" 5 ML POULTRY SMALLPOX SYRINGE

02.01.4720

AUTOMATIC SYRINGE "SMART" 5 ML FOR POULTRY SMALLPOX WITH DOUBLE NEEDLES

02.01.4706



SPARE CYLINDER FOR "SMART" 5 ML POULTRY SMALLPOX SYRINGE

02.01.4721

REPLACEMENT VACCINATOR PUSH ROD SPRING "SMART" 5 ML FOR DOUBLE NEEDLE AVIAN POX

02.01.4719



VETERINARY DISPOSABLE HYPODERMIC NEEDLES LL

02.03.4510	Ø 0,45 x 12 mm	26G x 1/2"
02.03.4515	Ø 0,5 x 16 mm	25G x 5/8"
02.03.4520	Ø 0,6 x 25 mm	23G x 1"
02.03.4525	Ø 0,7 x 30 mm	22G x 1 1/4"
02.03.4530	Ø 0,7 x 40 mm	22G x 1 1/2"
02.03.4541	Ø 0,8 x 16 mm	21G x 5/8"
02.03.4545	Ø 0,8 x 25 mm	21G x 1"
02.03.4550	Ø 0,8 x 40 mm	21G x 1 1/2"
02.03.4570	Ø 1,2 x 40 mm	18G x 1 1/2"
02.03.4180	Ø 1,8 x 40 mm	15G x 1 1/2"

PER PESCI



VETERINARY NEEDLES "SOCOREX" S.S. SQUARE BASE LL (12)

02.05.403S	Ø 0,5x3 mm	25G x 1/8"
02.05.608S	Ø 0,6x8 mm	23G x 1/3"
02.05.713S	Ø 0,7x13 mm	22G x 1/2"
02.05.603S	Ø 0,6x3 mm	23G x 1/8"
02.05.406S	Ø 0,6x4 mm	23G x 1/6"

FOR CHICKENS



VETERINARY NEEDLES "IABER ECO" S.S. SQUARE BASE LL (12)

02.05.101B	Ø 1x10 mm	19G x 3/8 "
02.05.108B	Ø 10x0,8 mm	21G x 3/8"
02.05.0906E	Ø 0,9x6 mm	20G x 1/4"
02.05.0805E	Ø 0,8x5 mm	21G x 3/16
02.05.0810E	Ø 0,8x10 mm	21G x 3/8
02.05.1010E	Ø 1,0x10 mm	19G x 3/8
02.05.1210E	Ø 1,2x10 mm	18G x 3/8
02.05.1620E	Ø 1,6x20 mm	16G x 3/4

NEW!



STAINLESS STEEL VETERINARY NEEDLES "IABER PREMIUM" S.S. RECTANGULAR BASE (10)

02.05.1010P	Ø 1,0 x 10 mm	19G x 3/8"
02.05.1015P	Ø 1,0 x 15 mm	19G x 5/8"
02.05.2020P	Ø 2,0 x 20 mm	14G x 3/4"
02.05.2225P	Ø 2,2 x 25 mm	14-13G x 1"



VETERINARY NEEDLES SQUARE BASE LL (12)

02.05.0508	Ø 0,80 x 5 mm	21G x 3/16"
02.05.0810H	Ø 0,80 x 10 mm	21G x 3/8"
02.05.1010H	Ø 1,0 x 10 mm	19G x 3/8"
02.05.1210H	Ø 1,2 x 10 mm	18G x 3/8"
02.05.1620H	Ø 1,6 x 20 mm	16G x 3/4"

VETERINARY NEEDLES S.S. ROUND BASE LL (12)

12 G		
02.14.2420	Ø 2,4 x 20 mm	12G x 3/4"
02.14.2425	Ø 2,4 x 25 mm	12G x 1"
02.14.2430	Ø 2,4 x 30 mm	12G x 1 1/4"
02.14.2440	Ø 2,4 x 40 mm	12G x 1 1/2"

13 G		
02.14.2210	Ø 2,2 x 10 mm	13G x 3/8"
02.14.2215	Ø 2,2 x 15 mm	13G x 5/8"
02.14.2220	Ø 2,2 x 25 mm	13G x 3/4"
02.14.2225	Ø 2,2 x 25 mm	13G x 1"
02.14.2230	Ø 2,2 x 30 mm	13G x 1 1/4"
02.14.2240	Ø 2,2 x 40 mm	13G x 1 1/2"

14 G		
02.14.2010	Ø 2,0 x 10 mm	14G x 3/8"
02.14.2012	Ø 2,0 x 12 mm	14G x 1/2"
02.14.2015	Ø 2,0 x 15 mm	14G x 5/8"
02.14.2020	Ø 2,0 x 20 mm	14G x 3/4"
02.14.2030	Ø 2,0 x 30 mm	14G x 1 1/4"
02.14.2040	Ø 2,0 x 40 mm	14G x 1 1/2"

15 G		
02.14.1810	Ø 1,8 x 10 mm	15G x 3/8"
02.14.1812	Ø 1,8 x 12 mm	15G x 1/2"
02.14.1815	Ø 1,8 x 15 mm	15G x 5/8"
02.14.1820	Ø 1,8 x 20 mm	15G x 3/4"
02.14.1825	Ø 1,8 x 25 mm	15G x 1"
02.14.1830	Ø 1,8 x 30 mm	15G x 1 1/4"
02.14.1840	Ø 1,8 x 40 mm	15G x 1 1/2"

16 G		
02.14.1615	Ø 1,6 X 15 mm	16G X 5/8"
02.14.1625	Ø 1,6 X 25 mm	16G X 1"

17 G		
02.14.1510	Ø 1,5 x 10 mm	17G x 3/8"
02.14.1512	Ø 1,5 x 12 mm	17G x 1/2"
02.14.1515	Ø 1,5 x 15 mm	17G x 5/8"
02.14.1520	Ø 1,5 x 20 mm	17G x 3/4"
02.14.1525	Ø 1,5 x 25 mm	17G x 1"
02.14.1530	Ø 1,5 x 30 mm	17G x 1 1/4"
02.14.1535	Ø 1,5 x 35 mm	17G x 1 3/8"
02.14.1540	Ø 1,5 x 40 mm	17G x 1 1/2"

NEW!



17 - 18 G		
02.14.1410	Ø 1,4 X 10 mm	17-18G X 3/8"
02.14.1415	Ø 1,4 X 15 mm	17-18G X 5/8"
02.14.1420	Ø 1,4 X 20 mm	17-18G X 3/4"

18 G		
02.14.1210	Ø 1,2 x 10 mm	18G x 3/8"
02.14.1212	Ø 1,2 x 12 mm	18G x 1/2"
02.14.1215	Ø 1,2 x 15 mm	18G x 5/8"
02.14.1220	Ø 1,2 x 20 mm	18G x 3/4"
02.14.1225	Ø 1,2 x 25 mm	18G x 1"
02.14.1230	Ø 1,2 x 30 mm	18G x 1 1/4"
02.14.1240	Ø 1,2 x 40 mm	18G x 1 1/2"

19 G		
02.14.1010	Ø 1,0 x 10 mm	19G x 3/8"
02.14.1015	Ø 1,0 x 15 mm	19G x 5/8"
02.14.1020	Ø 1,0 x 20 mm	19 x 3/4"
02.14.1025	Ø 1,0 x 25 mm	19G x 1"

21 G		
02.14.0810	Ø 0,8 x 10 mm	21G x 3/8"

22 G		
02.14.0706	Ø 0,7 x 06 mm	22G x 1/4"





FIXED SCALPEL HANDLE (SS)
- NR. 3

02.02.0001



FIXED SCALPEL HANDLE (SS)
- NR. 4

02.02.0002



FOLDING SCALPEL HANDLE
(SS) - NR. 4

02.02.0003



NEEDLE HOLDER
MATHIEU (SS)

02.02.0151	17 CM	6,5"
02.02.0152	20 CM	8"



DISSECTING FORCEPS 1X2
TEETH (SS)

02.02.0505	18 CM	7"
02.02.0506	20 CM	8"



ANATOMIC FORCEPS (SS)

02.02.0509	15 CM	6"
02.02.0510	18 CM	7"
02.02.0511	20 CM	8"



KELLY HEMOSTATIC FORCEPS
CURVED (SS) 18 CM - 7"

02.02.0520



KELLY HEMOSTATIC FORCEPS
STRAIGHT (SS) 18 CM - 7"

02.02.0521



KELLY/KOCHER HEMOSTATIC
FORCEPS 1X2 TEETH CURVED
(SS) 18 CM - 7"

02.02.0530



KELLY/KOCHER HEMOSTATIC
FORCEPS 1X2 TEETH
STRAIGHT (SS) 18 CM - 7"

02.02.0531



SURGICAL SCISSOR
STRAIGHT SHARP/BLUNT (SS)
18 CM - 7"

02.02.0550



SURGICAL SCISSOR
STRAIGHT BLUNT/BLUNT (SS)
18 CM - 7"

02.02.0551



SURGICAL SCISSOR CURVED
SHARP/BLUNT (SS) 18 CM - 7"

02.02.0555



SURGICAL SCISSOR CURVED
BLUNT/BLUNT (SS) 18 CM - 7"

02.02.0556



HOLLOW WARE RECTANGULAR

02.02.0702	20 X 10 X 6 CM
02.02.0703	20 X 10 X 2 CM



BUHNER NEEDLE (SS)

02.02.0071	15,5 CM	6"
02.02.0072	20 CM	8"
02.02.0073	30 CM	12"



BUHNER'S VAGINAL TAPE
5 M X 4 MM (IN. Ø 2,5 MM)

02.03.1350



BUHNER'S VAGINAL TAPE
5 M X 7 MM (IN. Ø 6,5 MM)

02.03.1351



WOUND NEEDLE GALVANIZED
10 CM

02.06.0081



OBSTETRIC FORCEPS (SS)
52 CM - 20"

02.06.0210



OBSTETRIC HOOK (SS) 54 CM - 21"

02.06.0221



EYE HOOK BLUNT 6,5 CM - 2,5"

02.06.0231



EYE HOOK SHARP 6,5 CM - 2,5"

02.06.0232



CALVING CHAIN WITH ADJUSTABLE
HANDLES

02.06.0300



KREY-SCHOTTLER OBSTETRIC HOOK
(SS) 20 CM - 8"

02.06.0304



OB WIRE GUIDE 18 CM - 7"

02.06.0306



CALF PULLER "VINK"
- 300 KG

02.06.0350	160 CM
02.06.0351	180 CM



CALF PULLER "VINK A800 BAYERN"
180 CM - 500 KG

02.06.0355



CALF PULLER "PAK"

02.06.0320



CALF PULLER 180 CM - 300 KG

02.06.0371



SPARE PAIR OF CORDS FOR CALF
PULLER "VINK"

02.06.0353



SPARE PAIR OF CORDS FOR CALF
PULLER "VINK A800 BAYERN" - RED
AND BLUE

02.06.0358



CALVING CORD FLAT WEBBING

02.06.0430	125 CM
02.06.0433	190 CM



PAIR OF UNIVERSAL CALVING
CORDS FOR CALF PULLER IN NYLON

02.06.0455	66 CM	Ø 12 MM
02.06.0462	43 CM	Ø 12 MM



PAIR OF CALVING CORDS WITH
RINGS FOR CALF PULLER IN COTTON
55 CM - Ø 12 MM

02.06.0460



CALVING CORD SOFT QUALITY FLAT
WEBBING 130 CM

02.06.0450



METAL MAGNET INTRODUCER -
HEAD 35 MM

02.07.0011



METAL INTRODUCER FOR 35 MM
BOLUS AND MAGNETS - 70 CM
WITH GREEN HANDLE

02.07.0013



RUMINAL MAGNET - STRONG - IN
PLASTIC CAGE 35 X 100 MM

02.07.0006

WHITE (X10)



RUMINAL MAGNET IN GREEN
PLASTIC CAGE 35 MM

02.07.0009

X10



RUMINAL MAGNET ROUND SHAPE
IN PLASTIC CAGE 100 X 35 MM

02.07.0232



RUMINAL MAGNET "METALNEO" IN
PLASTIC CAGE 85 X 20 MM

02.07.0221

NEW!



RUMINAL MAGNET ROUND SHAPE
WITHOUT CAGE 80 X 20 MM

02.07.0229

X 10

NEW!



ROUND FERRITE MAGNET WITH RINGS
"SMALL" 18.6 X 45 MM STRONG -
WITHOUT PLASTIC CASE (X10)

02.07.0028



FERRITE MAGNET WITHOT PLASTIC
CAGE - NORMAL- BOX WITH 12 PIECES

02.07.0235



BOLUS APPLICATOR -SS- WITH
HANDLE 50 CM - THREE HEADS SET
Ø 15-21-26 MM

02.07.0033	PLATIC HANDLE
02.07.0034	METAL HANDLE



METAL BOLUS APPLICATOR WITH
GREEN HANDLE - HEAD Ø 35 MM

02.07.0030



SPARE HEAD FOR BOLUS
APPLICATOR

02.07.0040	Ø15 X 75 MM
02.07.0041	Ø 21 X 75 MM
02.07.0042	Ø26 X 75 MM
02.07.0043	Ø26 X 110 MM
02.07.0044	Ø35 X 110 MM



BOLUS APPLICATOR WITH PLASTIC HANDLE
AND STAINLESS STEEL TUBE 55 CM - HEAD
Ø 42 X 160 MM (FOR LARGE BOLUS)

02.07.0028



PLASTIC BOLUS APPLICATOR

CODE	LENGTH	Ø	LENGTH BOLUS	COLOUR
02.07.0025	30 CM	17	40 MM	BLUE
02.07.0026	38 CM	26	80 MM	RED

NEW!



METAL DETECTOR FOR RUMEN -
ROUND HEAD

02.07.0301

NEW!



METAL DETECTOR "SUPER SCANNER"

02.07.0302



TROCAR WITH METAL HANDLE (SS)

02.07.0051	12 CM
02.07.0053	15 CM
02.07.0054	9 CM



PIGLETS REBREATHING

02.07.0110



CALF REBREATHER "BRON" MODEL

02.07.0105



SPARE SILICONE COVER FOR "BRON" CALF REBREATHER

02.07.0107

TUBERCOLIN



CUTIMETER SKIN TESTER WITH "WATCH" SCREEN

02.08.0080



VETERINARY SS NEEDLE SQUARE BASE LL FOR TUBERCOLINE (12)
Ø 0,7 x 4 mm - 22G x 1/6"

02.08.0010



SPARE GLASS CILYNDER FOR "HENKE-JECT" SYRINGE 1,8 ML FOR TUBERCOLINE

02.08.0050

NEW!



STAINLESS STEEL STOMACH PUMP FOR
CATTLE COMPLETE 378 CM INOX

02.01.5600



03



LIVESTOCK EQUIPMENT





BULL HOLDER HARMS MODEL (SS) 19
CM - 7,5"

03.01.0002



BULL HOLDER WITH SPRING (SS) 13
CM - 5"

03.01.0005



BULL HOLDER LOCKING HOOK &
CHAIN (SS) 20 CM - 8"

03.01.0008



BULL HOLDER LONG HANDLE 47
CM - 19"

03.01.0006



STANDARD BULL NOSE RING (SS)

03.01.0069	5 CM	2"
03.01.0071	7 CM	3"
03.01.0072	6 CM	2,5"



BULL NOSE RING APPLICATOR

03.01.0085



COW LIFTING FRAME "EASYLIFT
IABER" 1000 KG

03.01.0411



COW LIFTING FRAME WITH PVC
SUPPORT

03.01.0501



PLASTIC SORTING PANEL FOR PIGS - RED

03.01.0155	94 X 76 CM
03.01.0156	120 X 76 CM



PLASTIC SORTING PANEL FOR PIGS - SUPERIOR QUALITY - GREEN
80 X 92 CM

03.01.0157



SHEPHERD HANDLE HOOK

03.01.0160



FLAP FOR PIGS

03.01.0144



LONG PADDLE FOR PIGS

03.01.0145



PIG HOLDER WITH LONG METAL HANDLE AND LOCK 60 CM - 24"

03.01.0100



PIG HOLDER -SMALL- WITH HANDLE

03.01.0103



PIG HOLDER -SMALL- WITH PLASTIC HANDLE

03.01.0113



HANDMADE "CAPRIOLO" COW-BELL (PREMANA STYLE) IN DOMED STEEL - N°.5 (H: 120 MM - BELT: 50 MM)

03.01.2005



HANDMADE "CAPRIOLO" COW-BELL (PREMANA STYLE) IN DOMED STEEL - N°.7 (H: 140 MM - BELT: 65 MM)

03.01.2007



HANDMADE "CAPRIOLO" COW-BELL (PREMANA STYLE) IN DOMED STEEL - N°.9 (H: 160 MM - BELT: 70 MM)

03.01.2009



HANDMADE "CAPRIOLO" COW-BELL (PREMANA STYLE) IN DOMED STEEL - N°.11 (H: 180 MM - BELT: 85 MM)

03.01.2011



HANDMADE "CAPRIOLO" COW-BELL (PREMANA STYLE) IN DOMED STEEL - N°.13 (H: 205 MM - BELT: 100 MM)

03.01.2013



HANDMADE "STELLA ALPINA" SHEEP-BELL IN SQUARED STEEL - N°.12 (H: 85 MM - BELT: 35 MM)

03.01.2112



HANDMADE "STELLA ALPINA" SHEEP-BELL IN SQUARED STEEL - N°.14 (H: 100 MM - BELT: 40 MM)

03.01.2114



HANDMADE "STELLA ALPINA" SHEEP-BELL IN SQUARED STEEL - N°.16 (H: 115 MM - BELT: 45 MM)

03.01.2116



HANDMADE "STELLA ALPINA" SHEEP-BELL IN SQUARED STEEL - N°.18 (H: 130 MM - BELT: 50 MM)

03.01.2118



LEATHER COLLAR FOR COW-BELL
WITH IRON BUCKLE - 120 X 5 CM

03.01.2205



LEATHER COLLAR FOR COW-BELL
WITH IRON BUCKLE - 120 X 6 CM

03.01.2206



LEATHER COLLAR FOR COW-BELL
WITH IRON BUCKLE - 120 X 7 CM

03.01.2207



LEATHER COLLAR FOR COW-BELL
WITH IRON BUCKLE - 120 X 8 CM

03.01.2208



LEATHER COLLAR FOR COW-BELL
WITH IRON BUCKLE - 120 X 9 CM

03.01.2209



LEATHER COLLAR FOR COW-BELL WITH
IRON BUCKLE - 120 X 10 CM

03.01.2210



LEATHER COLLAR "EC" FOR SHEEP-BELL
WITH IRON BUCKLE - 65 X 3 CM

03.01.2253



LEATHER COLLAR "EC" FOR SHEEP-BELL
WITH IRON BUCKLE - 65 X 4 CM

03.01.2254



LEATHER COLLAR "EC" FOR SHEEP-BELL
WITH IRON BUCKLE - 65 X 5 CM

03.01.2255



ELECTRIC PROD WITH SOUND BUTTON ("C" TYPE BATTERY - NOT INCLUDED)

03.01.0210	50 CM	20"
03.01.0220	70 CM	28"
03.01.0230	90 CM	35"
03.01.0240	120 CM	47"



ELECTRIC PROD IABER WITH REMOVABLE AND RECHARGEABLE BATTERY 96 CM - FLEXIBLE SHAFT 71 CM (MICRO-USB CABLE NOT INCLUDED)

03.01.0318

RECHARGEABLE BATTERY FOR IABER ELECTRIC PROD

03.01.0320



ELECTRIC PROD "A380" WITH BUTTON AND RECHARGEABLE BATTERY 2200 MAH - FLEXIBLE SHAFT 62 CM

03.01.0375



ELECTRIC PROD WITH REMOVABLE AND RECHARGEABLE BATTERY (CABLE INCLUDED)

03.01.0322	58 CM
03.01.0323	71 CM



FLEXIBLE SHAFT FOR ELECTRIC PROD "A380"

03.01.0380	62 CM
03.01.0381	78 CM



SPARE RECHARGEABLE BATTERY FOR ELECTRIC PROD "A380" 2200 MAH

03.01.0385



FLEXIBLE SHAFT FOR ELECTRIC PROD

03.01.0342	58 CM
03.01.0343	71 CM



RECHARGEABLE BATTERY FOR ELECTRIC PROD (0322/3)

03.01.0351



PROFESSIONAL LINE



HOOF CUTTING DISC PROFESSIONAL IABER

CODE	03.02.0232
DIAMETER	115 MM
BLADES	SQUARE
N. OF BLADES	6
BLADE THICKNESS	3 MM



HOOF CUTTING DISC PROFESSIONAL KONRAD CONVEX

CODE	03.02.0230
DIAMETER	108 MM
BLADES	SQUARE
N. OF BLADES	6
BLADE THICKNESS	3 MM

IABER EZA



PROFESSIONAL HOOF CUTTING DISC "IABER EZA-SQUARE"

CODE	03.02.0227
DIAMETER	115 MM
BLADES	SQUARE
N. OF BLADES	6
BLADE THICKNESS	2 MM



PROFESSIONAL HOOF CUTTING DISC "IABER EZA-ROUND 3-3"

03.02.0229	2 MM
DIAMETER	100 MM
3 ROUND BLADES	

BEST-SELLER



HOOF CUTTING DISC "ALU-6" 6 BLADES
(2 SIDES) Ø 120 MM

CODE	03.02.0242
DIAMETER	120 MM
BLADES	RECTANGULAR
N. OF BLADES	6
BLADE THICKNESS	3 MM



DEMOTEC DL



HOOF CUTTING DISC DEMOTEC -
TUNGSTEN BLADES

CODE	03.02.0223
DIAMETER	115 MM
BLADES	RECTANGULAR
N. OF BLADES	7
BLADE THICKNESS	4,5 MM



HOOF CUTTING DISC "DEMOTEC DL
SOFT" – TUNGSTEN BLADES

CODE	03.02.0224
DIAMETER	115 MM
BLADES	RECTANGULAR
N. OF BLADES	7
BLADE THICKNESS	4,5 MM

SEMI LINE PROFESSIONAL



HOOF CUTTING DISC Ø 100 MM
ZAVET 6 BLADES 2 SIDES

CODE	03.02.0237
DIAMETER	100 MM
BLADES	RECTANGULAR
N. OF BLADES	6
BLADE THICKNESS	4,5 MM

ECO



HOOF CUTTING DISC IABER ECO PLUS
7 BLADES PROTRUDING LIGHT BLUE

CODE	03.02.0226
DIAMETER	98 MM
BLADES	RECTANGULAR
N. OF BLADES	7
BLADE THICKNESS	4,5 MM



ABRASIVE HOOF DISC STANDARD
DOUBLE SIDE (COARSE GRAIN)

CODE	03.02.0268
DIAMETER	115 MM
FRONT GRANULOSITY	30
REAR GRANULOSITY	30



ABRASIVE HOOF DISC "PHILIPSEN"
DOUBLE SIDE

CODE	03.02.0260
DIAMETER	115 MM
FRONT GRANULOSITY	30
REAR GRANULOSITY	10

NEW!



ABRASIVE HOOF DISC "IABER"

CODE	03.02.0270
DIAMETER	115 MM
FRONT GRANULOSITY	THICK
REAR GRANULOSITY	THIN



ABRASIVE HOOF DISC "ZEC -
SEMIFLEX" SILICON CARBIDE
(GRAIN 16)

CODE	03.02.0275
DIAMETER	115 MM
FRONT GRANULOSITY	24
SILICON CARBIDE	

03.02.0242	HOOF CUTTING DISC "ALU-6" 6 BLADES (2 SIDES) Ø 120 MM
03.02.0257	SET OF 3 BLADES AND 3 SCREWS FOR HOOF CUTTING DISC "ALU-6"
03.02.0288	SPARE BLADES FOR HOOF CUTTING DISC "ALU-6" (X6)
03.02.0289	SPARE FIXING SCREWS FOR HOOF CUTTING DISC "ALU-6" (X6)



03.02.0226	ALUMINIUM HOOF CUTTING DISC "ECO PLUS" WITH Laterally PROTRUDING BLADES (2 SIDES) Ø 95 MM
03.02.0262	SET WITH BLADES + SCREWS + NUTS FOR HOOF CUTTING DISC "IABER ECO PLUS" (X3)



03.02.0232	ALUMINIUM PROFESSIONAL HOOF CUTTING DISC "IABER PRO" (4 SIDES) Ø 115 MM - 3 MM
03.02.0247	SPARE BLADE FOR PROFESSIONAL HOOF CUTTING DISC 13,5 X 13,5 X 3 MM
03.02.0254	SPARE SCREW FOR HOOF CUTTING DISC "IABER PRO" 3 MM
03.02.0267	SPARE BLADE FOR PROFESSIONAL HOOF CUTTING DISC 13,5 X 13,5 X 3 MM (X10)
03.02.0291	SPARE FIXING SCREWS FOR PROFESSIONAL HOOF CUTTING DISC (X10)



03.02.0233	ALUMINIUM PROFESSIONAL HOOF CUTTING DISC "IABER PRO" (4 SIDES) Ø 115 MM - 2 MM
03.02.0248	SPARE BLADE FOR HOOF CUTTING DISC 14 X 14 X 2 MM
03.02.0266	SPARE BLADE FOR HOOF CUTTING DISC 14 X 14 X 2 MM (X10)
03.02.0291	SPARE FIXING SCREWS FOR PROFESSIONAL HOOF CUTTING DISC (X10)



03.02.0230	ALUMINIUM PROFESSIONAL HOOF CUTTING DISC "KONRAD" 6 BLADES (4 SIDES) Ø 115 MM - 3 MM
03.02.0247	SPARE BLADE FOR PROFESSIONAL HOOF CUTTING DISC 13,5 X 13,5 X 3 MM
03.02.0254	SPARE SCREW FOR HOOF CUTTING DISC "IABER PRO" 3 MM
03.02.0267	SPARE BLADE FOR PROFESSIONAL HOOF CUTTING DISC 13,5 X 13,5 X 3 MM (X10)
03.02.0291	SPARE FIXING SCREWS FOR PROFESSIONAL HOOF CUTTING DISC (X10)



03.02.0237	ALUMINIUM HOOF CUTTING DISC "ZAVET" 6 BLADES (2 SIDES) Ø 100 MM
03.02.0258	SET WITH 3 BLADES AND 3 SCREWS FOR HOOF CUTTING DISC "ZAVET"
03.02.0276	SPARE 1 BLADE + 1 SCREW + 1 NUT + 1 INSERT
03.02.0277	SPARE TUNGSTEN BLADE FOR HOOF CUTTING DISC "DEMOTEC DL SOFT"
03.02.0278	SPARE TUNGSTEN BLADES AND SCREWS FOR HOOF CARE DISC "DEMOTEC DL SOFT" (X7)



03.02.0223	HOOF CUTTING DISC "DEMOTEC DL" WITH 7 TUNGSTEN BLADES (2 SIDES) Ø 115 MM
03.02.0258	SET WITH 3 BLADES AND 3 SCREWS FOR HOOF CUTTING DISC "ZAVET"
03.02.0276	SPARE 1 BLADE + 1 SCREW + 1 NUT + 1 INSERT
03.02.0277	SPARE TUNGSTEN BLADE FOR HOOF CUTTING DISC "DEMOTEC DL SOFT"
03.02.0278	SPARE TUNGSTEN BLADES AND SCREWS FOR HOOF CARE DISC "DEMOTEC DL SOFT" (X7)



03.02.0224	HOOF CUTTING DISC DEMOTEC DL SOFT 7 BLADES - TUNGSTEN BLADES
03.02.0258	SET WITH 3 BLADES AND 3 SCREWS FOR HOOF CUTTING DISC "ZAVET"
03.02.0276	SPARE 1 BLADE + 1 SCREW + 1 NUT + 1 INSERT
03.02.0277	SPARE TUNGSTEN BLADE FOR HOOF CUTTING DISC "DEMOTEC DL SOFT"
03.02.0278	SPARE TUNGSTEN BLADES AND SCREWS FOR HOOF CARE DISC "DEMOTEC DL SOFT" (X7)



03.02.0227	PROFESSIONAL HOOF CUTTING DISC "IABER EZA-SQUARE" 6 SQUARED BLADES Ø 115 MM BLUE - 2 MM
03.02.0266	SPARE BLADES FOR HOOF CUTTING DISC 14 X 14 X 2 MM (X10)
03.02.0291	SPARE FIXING SCREWS FOR PROFESSIONAL HOOF CUTTING DISC (X10)



03.02.0228	PROFESSIONAL HOOF CUTTING DISC "IABER EZA-SQUARE" - 3 MM
03.02.0267	SPARE BLADE FOR PROFESSIONAL HOOF CUTTING DISC 13,5 X 13,5 X 3 MM (X10)
03.02.0291	SPARE FIXING SCREWS FOR PROFESSIONAL HOOF CUTTING DISC (X10)



03.02.0229	PROFESSIONAL HOOF CUTTING DISC "IABER EZA-ROUND"
03.02.0290	SPARE ROUND BLADES 3 MM X Ø 16 MM FOR HOOF CUTTING DISC (X10)
03.02.0291	SPARE FIXING SCREWS FOR PROFESSIONAL HOOF CUTTING DISC (X10)



NEW!



TWO-COMPONENT GLUE FOR
HOOF BLOCK "GREEN Podos"
200 ML - F-SYSTEM FITTING

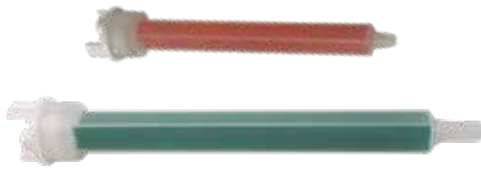
03.02.0400



TWO-COMPONENT GLUE FOR
HOOF BLOCK "Podos WINTER"
200 ML - F-SYSTEM FITTING

03.02.0405

NEW!



COMPACT MIXING TIP FOR TWO-COMPONENT
HOOF GLUE 200 ML TUBE (10)

03.02.0407	1 X 1 X 11,5 CM	RED
03.02.0413	1,1 X 1,1 X 13,2 CM	GREEN



DOSING GUN FOR TWO-COMPONENT
HOOF GLUE 200 ML TUBE

03.02.0418	SIDE
03.02.0419	FRONT



DEMOTEC EASYBLOC KIT

CODE	TREATMENTS	INSOLES
03.02.0422	4	2 DX + 2 SX
03.02.0423	12	6 DX + 6 SX



DEMOTEC 90 KIT

CODE	TREATMENTS	INSOLES
03.02.0426	2	2

DEMOTEC 95 KIT

CODE	TREATMENTS	INSOLES
03.02.0429	14	14



DEMOTEC EASYBLOC
LIQUID 250 ML

03.02.0424



DEMOTEC EASYBLOC
POWDER 500 GR

03.02.0425



DEMOTEC 90
LIQUID 500 ML

03.02.0427



DEMOTEC 90
POWDER 1 KG

03.02.0428



WOODEN HOOF BLOCK (10)

03.02.0436



BLUE PLASTIC HOOF BLOCK - SOFT
14 MM

03.02.0440



ORANGE PLASTIC HOOF BLOCK - HARD
14 MM

03.02.0441





COHESIVE BANDAGE -
10 CM X 4,5 M

03.02.0481	RED
03.02.0482	GREEN
03.02.0483	BLUE
03.02.0484	DARK BLUE
03.02.0485	BLACK
03.02.0486	PINK
03.02.0487	YELLOW



COHESIVE BANDAGE WITH PAWS -
5 CM X 4,5 M

03.02.0636	PINK
03.02.0639	BLUE
03.02.0640	YELLOW



SELF-ADHESIVE BANDAGE FOR
HOOVES KROMBERG BLACK

03.02.0471
25 M X 4,5CM
BLACK TAR-COATED



CLAW TAPE IN FABRIC "COROTEX"
SINGLE-SIDED ADHESIVE -BLACK
25 M X 5 CM

03.02.0462
25 M X 5 CM
BLACK

SEMI-PROFESSIONAL KNIVES

WOODEN HOOF KNIFE – WIDE BLADE

03.02.0001	RIGHT
03.02.0002	LEFT
03.02.0003	DOUBLE-RIGHT
03.02.0004	DOUBLE-LEFT



WOODEN HOOF KNIFE – NARROW BLADE

03.02.0021	RIGHT
03.02.0022	LEFT
03.02.0024	DOUBLE-RIGHT
03.02.0025	DOUBLE-LEFT



WOODEN HOOF KNIFE "THE KNIFE" WITH LONG HANDLE – CURVED WIDE BLADE

03.02.0010	RIGHT
03.02.0011	LEFT
03.02.0012	DOUBLE



WOODEN HOOF KNIFE IN HIGH QUALITY SS WITH WHITE HANDLE – WIDE BLADE

03.02.0031	RIGHT
03.02.0032	LEFT
03.02.0034	DOUBLE-RIGHT



WOODEN HOOF KNIFE "SUPERIOR" – NARROW BLADE

03.02.0030	RIGHT
03.02.0033	LEFT



WOODEN HOOF KNIFE "LOOP" – WIDE BLADE

03.02.0052



PROFESSIONAL KNIVES

WOODEN HOOF KNIFE "AESCULAP"
– WIDE BLADE

03.02.0026	RIGHT
03.02.0027	LEFT
03.02.0028	DOUBLE



WOODEN HOOF KNIFE "AESCULAP"
– NARROW BLADE

03.02.0015	DESTRA
03.02.0016	SINISTRA
03.02.0017	DOPPIA



WOODEN HOOF KNIFE "ICAR"
– FIXED BLADE

03.02.0035	RIGHT
03.02.0036	LEFT



WOODEN HOOF KNIFE "COLOR-PRO" WITH
COLOURED HANDLE – NARROW BLADE 6,5 CM

03.02.0040	RIGHT
03.02.0041	LEFT
03.02.0042	DOUBLE-RIGHT



WOODEN HOOF KNIFE
"LOOP" – NARROW BLADE

03.02.0054



WOODEN HOOF FOLDING
KNIFE 6 CM – 2,5

03.02.0076



BOVI-BOND KNIVES WITH MAGNET

NEW!



HOOF KNIVES "BOVI-BOND" PLASTIC HANDLE WITH MAGNET - NARROW STRAIGHT BLADE (x2 pcs)

03.02.0043	LEFT
03.02.0044	RIGHT
03.02.0045	DOUBLE



NEW!



HOOF KNIVES "BOVI-BOND" PLASTIC HANDLE WITH MAGNET - NARROW CURVED BLADE (x2 pcs)

03.02.0047	LEFT
03.02.0048	RIGHT
03.02.0049	DOUBLE



PROTECTIVE GLASSES



SAFETY PROTECTIVE GLASSES

06.05.0580



PROTECTIVE SAFETY MASK

06.05.0581



HOOF CUTTER "BALZAC" MODEL

03.02.0104



HOOF CUTTER "DICK" MODEL
42 CM - 17"

03.02.0100



HOOF NAIL CLINCH BLACK COATED

03.02.0181



HOOF PLIERS BLACK COATED

03.02.0182	35 CM	14"
03.02.0183	38 CM	15"



HOOF PLIERS
38 CM

03.02.0118



HORSE RASP (WITHOUT HANDLE)
36 CM - 14"

03.02.0145



HORSE RASP WITH RED PLASTIC
HANDLE 36 CM - 14"

03.02.0149



HORSE RASP TOMÉ-FÊTEIRA
SMARTCUT (WITHOUT HANDLE)
36 CM - 14"

03.02.0161



HOOF CHECKING PLIER STANDARD

03.02.0103



HOOF CHECKING PLIER SEMI-CIRCULAR

03.02.0105



HOOF CHECKING PLIER CIRCULAR

03.02.0109



HOOF PICK WITH BRUSH

03.02.0170



METAL HOOF GAUGE

03.02.0099



HOOF KNIFE BRUSH

03.02.0201



FOOTROT SHEARS

03.02.0300

PLAIN BLADE

03.02.0301

SERRATED BLADE



HOOF KNIFE SMALL BLADE FOR SHEEP

03.02.0051

NEW!



CASTRATING RUBBER RINGS
APPLICATOR FOR CASTRATION/TAIL
DOCKING "IABER"

03.03.0000



CASTRATING RUBBER RINGS
APPLICATOR

03.03.0001



CASTRATING RUBBER RINGS -
ORANGE (100)

03.03.0003



CASTRATION FORCEPS "KAMER"
BURDIZZO MODEL 48 CM - 19"

03.03.0171



CASTRATION FORCEPS SUPERIOR
QUALITY BURDIZZO MODEL
48 CM - 19"

03.03.0175



CASTRATION FORCEPS FOR LAMB
23 CM

03.03.0120



VERBOCZY-WHITES EMASCULATOR

03.03.0201	23 CM	9"
03.03.0203	27 CM	10,5"



REIMERS EMASCULATOR 31 CM - 12"

03.03.0212



REINFORCED NYLON CATTLE LIMP PADS

03.05.0272



DEHORNING WIRE HANDLES (2 α.)

03.04.0011



DEHORNING WIRE IN PLASTIC BOX 12 M

03.04.0015



PIG TOOTH-CUTTING PLIERS 13 CM

03.05.0001



EQUINE MOVING BLADE DENTAL FILE

03.07.0110



REPLACEMENT BLADE FOR MOVABLE
BLADE EQUINE TOOTH FILE

03.07.0111



NEW!



GAS DEHORNER "PORTASOL 3"
WITH TUBE TIP 18,5 MM

03.04.0311

NEW!



GAS DEHORNER "GASBUDEX"
WITH TUBE TIP 20 MM

03.04.0301



HOT TAIL DOCKER "ENGEL"

03.05.0210	STANDARD BLADE
03.05.0211	WITH V-BLADE



HOT TAIL DOCKER "ENGEL" WITH SUPPORT

03.05.0217



SPARE V BLADE FOR "ENGEL" TAIL DOCKER

03.05.0214



HOT TAIL DOCKER "ENGEL" WITHOUT BLADE

03.05.0212



SPARE STANDARD BLADE FOR "ENGEL" TAIL DOCKER

03.05.0215



SPARE BLADE FOR "ENGEL" TAIL DOCKER WITH SUPPORT

03.05.0218



HOT TAIL DOCKER WITH TRANSFORMER

03.05.0200



BRACKET FOR TAIL DOCKER WITH TRANSFORMER

03.05.0203



GAS TAIL DOCKER

03.05.0245

NEW!



CHROMED GAS TAIL DOCKER FOR PIGLETS "TAG"

03.05.0232



SPARE TIP FOR GAS TAIL DOCKER

03.05.0255



SPARE TIP FOR GAS TAIL DOCKER "TAG"

03.05.0233



MANAGEABLE AND SOFT

Outshell OXFORD 210 WATER REPELLENT

Lining PILE VELCRO CLOSURE

Size - 72 cm

03.05.1940



WATERPROOF

Outshell OXFORD 600 WATERPROOF

Filling PILE BUCKLE CLOSURE

Lining NYLON

Size - 72 cm

03.05.1942



MANAGEABLE AND SOFT

Outshell OXFORD 600 WATER REPELLENT

Filling POLYFILL BUCKLE CLOSURE

Interno NYLON

Size - 74 cm

03.05.1950



FOR SMALL CALVES

Outshell	OXFORD 420	WATER REPELLENT
Filling	POLYFILL	BUCKLE CLOSURE
Lining	NYLON	
Size - 68 cm	03.05.1955	



NEW!

WATERPROOF

Outshell	OXFORD 600	WATERPROOF
Filling	POLYFILL	VELCRO CLOSURE
Lining	NYLON	
Size - 72 cm	03.05.1941	



NEW!

MANAGEABLE AND SOFT

Outshell	OXFORD 600	WATER REPELLENT
Filling	POLYFILL	VELCRO CLOSURE
Lining	NYLON	
Size- 69 cm	03.05.1925	



NEW!

INFRARED WHITE LAMP REINFORCED
GLASS (E27 CONNECTION)

03.05.1247	220V 100W
03.05.1248	220V 175W
03.05.1249	220V 250W



NEW!

INFRARED RED LAMP REINFORCED
GLASS (E27 CONNECTION)

03.05.1267	220V 100W
03.05.1268	220V 175W
03.05.1269	220V 250W



NEW!

INFRARED WHITE LAMP REINFORCED
GLASS AND BASE (E27
CONNECTION)

03.05.1223	220V 100W
03.05.1226	220V 175W



NEW!

INFRARED RED LAMP REINFORCED
GLASS AND BASE (E27
CONNECTION)

03.05.1220	220V 100W
03.05.1221	220V 175W

SIZE: Ø21,5x32 cm
 MAXIMUM POWER:
 275 W
 VOLTAGE: 220 V
 FREQUENCY: 50 Hz
 LAMP BASE: E27



INFRARED LAMP/HEATER HOLDER WITH
 SWITCH ON THE BASE- 2,5 M CABLE

03.05.1310

DIMENSION:
 Ø21,5x31 cm
 PUISSANCE MAXIMUM:
 275 W
 TENSION: 220 V
 FRÉQUENCE: 50 Hz
 PIED DE LAMPE: E27



INFRARED LAMP/HEATER HOLDER WITH
 SWITCH ON THE CABLE- 2,5 M CABLE

03.05.1313



INFRARED CERAMIC HEATER
 WITHOUT LIGHT, FLATTED SHAPED
 (E27 CONNECTION)

03.05.1287

220V 250W

03.05.1293

220V 150W



PLASTIC FEED SCOOP 37 CM - 14"

03.05.0299



ALUMINIUM FEED SCOOP

03.05.0301	27 CM	10"
03.05.0302	32 CM	12"
03.05.0303	37 CM	14"
03.05.0304	41 CM	16"



ALUMINUM FEED SCOOP WITH
INVERTED HANDLE

03.05.0313	38 CM
03.05.0314	44 CM



NATURAL HIMALAYAN SALT
BLOCK FOR ANIMALS

13.01.0100

BENEFITS FOR ANIMALS

SUPPORTS HYDRATION BY STIMULATING WATER INTAKE.

PROMOTES DIGESTION AND RUMINAL ACTIVITY IN RUMINANTS.

HELPS PREVENTING MINERAL DEFICIENCIES, ESPECIALLY IN GRAZING ANIMALS OR THOSE ON MONOTONOUS DIETS.

IMPROVES RESISTANCE TO STRESS (HEAT, TRANSPORT, WEANING).

CAN CONTRIBUTE TO HEALTHIER SKIN AND COAT.





SHEEP SHEAR 29 CM BLACK HANDLE - BLADE 14,5 CM

03.06.0174



SHEEP SHEAR RED HANDLE

03.06.0175 - 29 CM - BLADE 14,5 CM

03.06.0176 - 34 CM - BLADE 16,5 CM



MANUAL SHEAR CLIPPER (SHORT HAIR)

03.06.0180



ROUND METAL CURRYCOMB FINE-TOOTHED WITH PLASTIC HANDLE

03.06.0402



METAL CURRYCOMB 8 ROWS WITH MANE COMB AND WOODEN HANDLE

03.06.0406



METAL CURRYCOMB 8 ROWS WITH WOVEN HAND LOOP

03.06.0407



OVAL PLASTIC CURRYCOMB FINE-TOOTHED WITH ADJUSTABLE HAND LOOP

03.06.0408



RUBBER OVAL CURRYCOMB WITH HAND LOOP

03.06.0409



ALUMINIUM MANE COMB

03.06.0416



BRUSH FOR HORSES WITH HARD BRISTLES AND WOODEN HANDLE

03.06.0422 - YELLOW 21,5 X 6 CM

03.06.0423 - BLUE 24,5 X 6 CM



BRUSH FOR HORSES WITH HARD RED BRISTLES AND PLASTIC HANDLE - 20 X 6,5 CM

03.06.0424



OVAL METAL CURRYCOMB WITH WOVEN HANDLE

03.06.0431



RUBBER GLOVE CURRYCOMB DOUBLE SIDES

03.06.0432



RUBBER GLOVE CURRYCOMB WITH BRUSH

03.06.0435



RUBBER GLOVE CURRYCOMB WITH MAGNETIC BALLS FOR MASSAGE

03.06.0436



PLASTIC SWEAT SCRAPER HALF-ROUNDED FOR HORSES WITH COMB

03.06.0450



METAL SWEAT SCRAPER HALF-ROUNDED WITH WOODEN HANDLE

03.06.0453



NEW!

BRUSHLESS ELECTRIC SHEARS
FOR SHEEP AND CATTLE " FARMPRO " LI-ION BATTERY
(2500 mAh - 60 MIN)

03.06.3051

SET OF CUTTER AND COMB
FARM PRO UNIVERSAL
-STANDARD COMB

03.06.3270

FARMPRO CLIPPER BATTERY
16.8V 2500 MAH

03.06.3086

Heiniger



ELECTRIC CLIPPER FOR SHEEP HEINIGER
XPERT 2-SPEED 250W 240V

03.06.3015



ELECTRIC CLIPPER FOR SHEEP HEINIGER
XTRA 320W 240V - COMPLETE

03.06.3020



COMB AND COUNTER COMB SET FOR ELECTRIC SHEARS FOR SHEEP "IABER" (13 + 4) STANDARD UNIVERSAL COMB

03.06.3302



COMB AND COUNTER COMB SET FOR ELECTRIC SHEARS FOR SHEEP "IABER" (13 + 4) UNIVERSAL - WIDE COMB

03.06.3305



STANDARD COMB "IABER" WITH 13 TEETH FOR ELECTRIC SHEARS FOR SHEEP - UNIVERSAL

03.06.3332



WIDE COMB "IABER" 13 TEETH FOR ELECTRIC SHEARS FOR SHEEP - UNIVERSAL

03.06.3335



COUNTER COMB "IABER" WITH 4 TEETH FOR ELECTRIC SHEARS FOR SHEEP - UNIVERSAL

03.06.3340



SPARE MOTOR/HANDLE FOR CLIPPER HAINIGER XTRA

03.06.3024



SPARE SHEARING HEAD FOR CLIPPER HEINIGER XTRA

03.06.3022



BLADE SET HEINIGER PRO LEGEND + EDGE (13 + 4 TEETH)

03.06.3202

MAINTENANCE KIT FOR CLIPPER HEINIGER XTRA

03.06.3026



BLADE SET HEINIGER EDGE - OVINA PREMIUM ALL PURPOSE (13 + 4 TEETH)

03.06.3205



SHEARING CUTTER HEINIGER EDGE - 4 TEETH

03.06.3211



SHEARING COMB HEINIGER PRO LEGEND - 13 TEETH

03.06.3221



SHEARING COMB HEINIGER OVINA CLASSIC 77 MM - 13 TEETH

03.06.3222



SHEARING COMB FOR BROAD WOOL HEINIGER WARRIOR 96 MM - 13 TEETH (5)

03.06.3241



SHEARING COMB FOR FINE WOOL HEINIGER HUGE 96 MM - 13 TEETH

03.06.3251

04



MILKING AND FEEDING





PRE-MILKING LONG CUP FOR
MASTITIS TEST BLUE - WITH BELT
CLIPS

04.01.0008



PRE-MILKING CUP FOR MASTITIS TEST
1 LT BLUE

04.01.0001



PRE MILKING PADDLE FOR MASTITIS
TEST WHITE

04.01.0002



LIQUID FOR MASTITIS TEST CMT
RAIDEX - PURPLE 1 L

04.01.0075



DOSING BOTTLE FOR CMT LIQUID
TEST

04.01.0070



TEAT TUMOR EXTRACTOR "HUG
MODEL" 16 CM

04.01.0012



TEAT SLITTER DOUBLE BLADE
"DANISH MODEL" 14 CM

04.01.0014



UDDER CATHETER LUER LOCK (12)

04.01.0035

6 CM

04.01.0036

8 CM



DISPOSABLE WOOLEN TEAT DILATOR
WITH OINTMENT (20)

04.01.0021



DISPOSABLE PLASTIC TEAT DILATOR
(10)

04.01.0020



UDDER CARE CREAM
"CRYOMENTHA 36" WITH
36% JAPANESE MINT -
500 ML

04.01.0502



NON-RETURN DIP CUP
"TECNOLATTE" GREEN

04.01.0106



NON-RETURN DIP CUP RED
WITH BRUSH

04.01.0116



FOAMER DIP CUP UPPER
FILTER "TECNOLATTE"

04.01.0130



SPARE CUP "TECNOLATTE"

04.01.0153



NON-RETURN DIP CUP
"AMBIC"

04.01.0113



FOAMER DIP CUP "AMBIC"

04.01.0114



SPARE CUP "AMBIC"

04.01.0155

WITH LOGO

04.01.0157

WITHOUT LOGO



EASYDIPPER SYSTEM AMBIC WITH
3 APPLICATORS

04.01.0310



CALF BUCKET WITH RED RUBBER TEAT,
VALVE AND BACK HOLDER - 8 L

04.02.0001



LAMB BUCKET 5 POSITIONS WITH RED
RUBBER TEATS, VALVES AND BACK
HOLDER - 8 L

04.02.0070





RED RUBBER TEAT FOR
8 L CALF BUCKET -
10 CM

04.02.0107	1 un.
04.02.0114	5 un.



LATEX TEAT FOR 8 L
CALF BUCKET - 10 CM

04.02.0109



RED RUBBER CALF TEAT WITH
ROUND HOLE FOR AUTOMATIC
FEEDING SYSTEM - 100 MM

04.02.0108



RED RUBBER TEAT FOR
8 L LAMB BUCKET (6)

04.02.0170



LATEX TEAT FOR 8 L
LAMB BUCKET (6)

04.02.0171



SILICONE TEAT FOR 8 L
LAMB BUCKET

04.02.0172



PLASTIC TEAT VALVE
FOR 8 L BUCKET

04.02.0103	LIGHT GREY	X1
04.02.0099	DARK GREY	X5



RUBBER O-RING FOR
8 L BUCKET VALVE

04.02.0104



BACK HOLDER FOR 8 L
BUCKET

04.02.0011



CALF BUCKET HANGING MODEL
WITHOUT VALVE WITH BLACK
FLAT TIP TEAT - 4 L

04.02.0016



BLACK FLAT TIP RUBBER TEAT FOR
CALF BUCKET WITHOUT VALVE

04.02.0116



BLACK FLAT TIP RUBBER TEAT FOR
CALF BUCKET WITHOUT VALVE -
SOFT

04.02.0118



BLACK POINTY TIP RUBBER TEAT FOR
CALF BUCKET WITHOUT VALVE (Ø
26,5 mm)

04.02.0122

INTERCHANGEABLE



CALF BUCKET HANGING
MODEL WITHOUT VALVE WITH
BLACK POINTY TIP TEAT - 3 L

04.02.0018





MULTIPLE CALF BUCKET (UP TO 5 CALVES) WITHOUT VALVES WITH BLACK POINTY TIP TEATS

04.02.0026



MULTIPLE CALF BUCKET (UP TO 3 CALVES) WITHOUT VALVES WITH BLACK POINTY TIP TEATS

04.02.0025



BLACK FLAT TIP RUBBER TEAT FOR CALF BUCKET WITHOUT VALVE

04.02.0116



BLACK FLAT TIP RUBBER TEAT FOR CALF BUCKET WITHOUT VALVE - SOFT

04.02.0118



BLACK POINTY TIP RUBBER TEAT FOR CALF BUCKET WITHOUT VALVE (Ø 26,5 MM)

04.02.0122

NEW!



ROSE TEAT FOR MULTIPLE BUCKET - 2 HOLES - THREADED

04.02.0120

NEW!



NATURAL RUBBER CALF TEAT FOR BOTTLE

04.02.0232



MULTIPLE LAMB/KID TRAY FEEDING BUCKET "BA-FEED" 9 L (6 TEATS - COMPLETE) - 35 CM

04.02.0029



MULTIPLE LAMB/KID TRAY FEEDING BUCKET "BA-FEED" 9 L (12 TEATS - COMPLETE) - 35 CM

04.02.0030



SPARE TEATS FOR MULTIPLE LAMBS/
KIDS BUCKET "BA-FEED" (6)

04.02.0237



SPARE TEAT FIXING RING FOR MULTIPLE
LAMBS/KIDS BUCKET "BA-FEED"

04.02.0238



SPARE LID FOR MULTIPLE LAMBS/
KIDS BUCKET "BA-FEED"

04.02.0239



FEEDING BOTTLE FOR CALF WITH
LARGE BOTTLE OPENING WITH
VALVE AND BLACK POINTY TIP TEAT

04.02.0197	2,5 L
04.02.0198	4 L



FEEDING BOTTLE FOR CALF WITH
LARGE BOTTLE OPENING WITH
VALVE AND PLASTIC FEEDING
CANNULA

04.02.0385	2,5 L
04.02.0386	4 L



BLACK POINTY TIP RUBBER TEAT
FOR CALF BUCKET WITHOUT
VALVE (Ø 26,5 MM)

04.02.0122



SPARE PLASTIC FEEDING
CANNULA FOR FEEDING
BOTTLE FOR CALF WITH LARGE
BOTTLE OPENING

04.02.0397



SPARE PLASTIC FEEDING
CANNULA WITH COVER FOR
FEEDING BOTTLE FOR CALF
WITH LARGE BOTTLE OPENING

04.02.0396



PLASTIC TOP WITH JOINT FOR
TEAT AND FEEDING CANNULA
FOR FEEDING BOTTLE FOR CALF
WITH LARGE BOTTLE OPENING

04.02.0398



FEEDING BOTTLE FOR CALF WITH
SMALL BOTTLE OPENING 2,5 L WITH
VALVE AND RED RUBBER TEAT

04.02.0352



FEEDING BOTTLE FOR CALF WITH
SMALL BOTTLE OPENING 2,5 L
WITH VALVE AND PLASTIC FEEDING
CANNULA

04.02.0350



SPARE TEAT AND PLASTIC RING
CONNECTION FOR FEEDING BOTTLE
FOR CALF WITH SMALL BOTTLE
OPENING

04.02.0357



SPARE PLASTIC FEEDING CANNULA
FOR FEEDING BOTTLE FOR CALF
WITH SMALL BOTTLE OPENING

04.02.0355



FEEDING BOTTLE FOR CALF WITH BACK HANDLE 4 L WITH METAL TUBE (HARD) AND PLASTIC TUBE (SOFT)

04.02.0382



PLASTIC FEEDING TUBE WITH PLASTIC CANNULA AND RING CONNECTION FOR FEEDING BOTTLE WITH BACK HANDLE

04.02.0393



PLASTIC FEEDING TUBE AND RING CONNECTION FOR FEEDING BOTTLE WITH BACK HANDLE

04.02.0392

NEW!



FEEDING BOTTLE FOR CALVES 4 L "TRUSTI TUBER ANTAHI" WITH TUBE FOR FORCED FEEDING AND BLACK TEAT

04.02.0422

NEW!



FEEDING BOTTLE FOR CALVES 4 L "FLEXI TUBER ANTAHI" WITH MORE FLEXIBLE TUBE FOR FORCED FEEDING AND POINTY BLACK TEAT

04.02.0423



SPARE TUBE WITH FERRULE FOR "ANTAHI" BOTTLE WITH DRENCHER FOR FORCED FEEDING "TRUSTI TUBER"

04.02.0419

NEW!



COMPLETE TUBE " FLEXI TUBER ANTAHI "WITH SCREWABLE CONNECTION FOR "ANTAHI" BOTTLE LID

04.02.0417



FEEDING BOTTLE FOR CALF 2,5 L
WITH RED HANDLE

04.02.0207



PLASTIC RING FOR 2,5 L FEEDING
BOTTLE RED HANDLE

04.02.0221



BLACK RUBBER TEAT FOR 2,5 L
FEEDING BOTTLE RED HANDLE

04.02.0222



FEEDING BOTTLE 2 L FOR
INTERLOCKED TEAT (WITHOUT TEAT)

04.02.0201



INTERLOCKED TEAT FOR FEEDING
BOTTLE (WITHOUT RING)

04.02.0211



CALF FEEDING BOTTLE WITH HANDLE
"YOU-FEED" 3,5 L WITH VALVE AND
THREADED PINK POINTY TIP TEAT

04.02.0330



ROSE TEAT FOR MULTIPLE BUCKET - 2
HOLES - THREADED

04.02.0120



SPARE FIXING RING FOR FEEDING
BOTTLE "YOU-FEED" FOR THREADED TEAT

04.02.0336



SPARE AIR VALVE FOR FEEDING
BOTTLE "YOU-FEED"

04.02.0338



FEEDING BOTTLE FOR CALF 2 L CURVED
WITH SILICONE TEAT, EXTERNAL HANDLE

04.02.0208



FEEDING BOTTLE FOR CALF 3 L WITH
SILICONE TEAT AND EXTERNAL HANDLE

04.02.0209



FEEDING BOTTLE FOR CALF 2 L WITH
SILICONE TEAT AND EXTERNAL HANDLE

04.02.0210



FEEDING BOTTLE FOR CALF DELUXE 2 L WITH RED RUBBER TEAT AND EXTERNAL HANDLE

04.02.0038



FEEDING BOTTLE FOR CALF "DELUXE GE" 4 L WITH VALVE AND EXTERNAL HANDLE

04.02.0040



ERGONOMIC BOTTLE FOR CALF FEEDING "VARIO GE" 2,5 L WITH VALVE AND EXTERNAL HANDLE

04.02.0041



FEEDING BOTTLE FOR CALF "PREMIUM GE" 3 L WITH VALVE AND HANDLE

04.02.0042



SPARE RED AIR VALVE FOR "DELUXE GE" AND "PREMIUM GE" BOTTLE

04.02.0043



SPARE SHOULDER STRAP FOR "DELUXE GE" 4 L BOTTLE

04.02.0049



SPARE NON-RETURN VALVE FOR "DELUXE GE" AND "PREMIUM GE" BOTTLE

04.02.0044



FEEDING BOTTLE FOR LAMB 1 L

04.02.0206



FEEDING BOTTLE FOR LAMB WITH RED TEAT 500 ML

04.02.0173



RED RUBBER TEAT FOR 8 L LAMB BUCKET (6)

04.02.0170



LATEX TEAT FOR 8 L LAMB BUCKET (6)

04.02.0171



RED TEAT FOR FEEDING BOTTLE FOR LAMB 500 ML

04.02.0216



FIXING RING FOR FEEDING BOTTLE FOR LAMB 500 ML

04.02.0218



FEEDING BOTTLE FOR LAMB WITH LATEX TEAT 450 ML

04.02.0174



LATEX TEAT FOR FEEDING BOTTLE FOR LAMB 450 ML

04.02.0235



FIXING RING FOR FEEDING BOTTLE FOR LAMB 450 ML

04.02.0236



TEAT FOR SMALL SHEEP AND GOATS WITH SCREW ADAPTER FOR PET BOTTLE (5)

04.02.0228



TEAT FOR LAMB WITH SCREW ADAPTER FOR PET BOTTLE

04.02.0301





FLOATING CALF FEEDER "CIAMBELLA" WITH 120 MM TEAT (HOLE 3 MM) - HIGHLY STABLE WITH STANDING TEAT

04.02.0620



FLOATING CALF FEEDER "EVO" WITH 90 MM TEAT (HOLE 4 MM) - STABLE WITH STANDING TEAT

04.02.0625



SINKING CALF FEEDER WITH HEAVY BASE WITH 90 MM TEAT (HOLE 4 MM) - STABLE WITH LYING TEAT

04.02.0630



FLOATING CALF FEEDER "FLAT" WITH 90 MM TEAT (HOLE 4 MM) - STABLE WITH LYING TEAT

04.02.0635



SINKING CALF FEEDER WITH HEAVY BASE WITH 90 MM TEAT (HOLE 4 MM) - STABLE WITH LYING TEAT

04.02.0660



SPARE 120 MM (HOLE 3 MM) TEAT IN NATURAL RUBBER (SHORE 54) FOR FLOATING CALF FEEDER CIAMBELLA

04.02.0661



SPARE 90 MM (HOLE 4 MM) TEAT IN RED NATURAL RUBBER (SHORE 50) FOR FLOATING CALF FEEDER EVO/FLAT/HEAVY BASE

04.02.0662



SPARE 90 MM (HOLE 4 MM) TEAT IN NATURAL RUBBER (SHORE 35) FOR FLOATING CALF FEEDER EVO/FLAT/HEAVY BASE

04.02.0664



20 CM STAINLESS STEEL COMPLETE CHAIN TO CONNECT FLOATING CALF FEEDER TO THE BUCKET

04.02.0685



SPARE 90 MM (HOLE 4 MM) TEAT IN NATURAL RUBBER (SHORE 35) FOR FLOATING CALF FEEDER EVO/FLAT/HEAVY BASE

04.02.0663



REUSABLE PLASTIC BAGS FOR
COLOSTRUM 4 L "IABER" - FREEZING
AND ADMINISTRATION

04.02.0432	5 pcs
04.02.0433	10 pcs



REUSABLE PLASTIC BAGS FOR
COLOSTRUM 4 L "ANTAHI" - FREEZING
AND ADMINISTRATION (X 10)

04.02.0425



TUBE WITH TEAT FOR COLOSTRUM
BAGS "ANTAHI"

04.02.0426



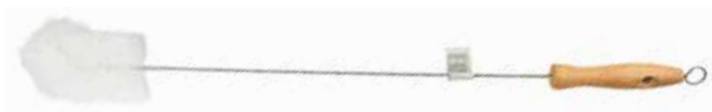
TUBE WITH DRENCHER FOR
COLOSTRUM BAGS "ANTAHI"

04.02.0427



TRANSPARENT INNER TUBE
REPLACEMENT FOR "ANTAHI"
COLOSTRUM BOTTLES AND BAGS

04.02.0418



STAINLESS STEEL LONG BRUSH FOR
INTERNAL CLEANING OF COLOSTRUM
BAGS

04.02.0428



BRUSH 91,5 CM FOR DRENCHER TUBE
CLEANING "ANTAHI"

04.02.0429



THERMAL BAG FOR COLOSTRUM BAG
"ANTAHI"

04.02.0430



ALUMINIUM BAG FOR COLOSTRUM
4 L - FREEZING, HEATING AND
ADMINISTRATION (5)

04.02.0412



TEAT FOR ALUMINIUM
BAG FOR COLOSTRUM
4 L (WITH JOINT)

04.02.0415



FEEDING TUBE FOR
ALUMINIUM BAG FOR
COLOSTRUM 4 L

04.02.0416



FILLING SUPPORT FOR
ALUMINIUM BAG FOR
COLOSTRUM 4 L

04.02.0420



PROTECTION FOR
ALUMINIUM BAG FOR
COLOSTRUM 4 L

04.02.0414



PORTABLE OPTICAL
REFRACTOMETER BRIX SCALE
(0-32%) FOR COLOSTRUM

04.02.0523



PORTABLE DIGITAL
REFRACTOMETER BRIX SCALE
(0-50%) FOR COLOSTRUM

04.02.0551



COLOSTRUM FEEDER FOR LAMB 250 ML
WITH 33 CM FLEXIBLE TUBE

04.02.0495



REUSABLE BAG WITH FLEXIBLE
TUBE FOR COLOSTRUM 2,5 L

04.02.0481



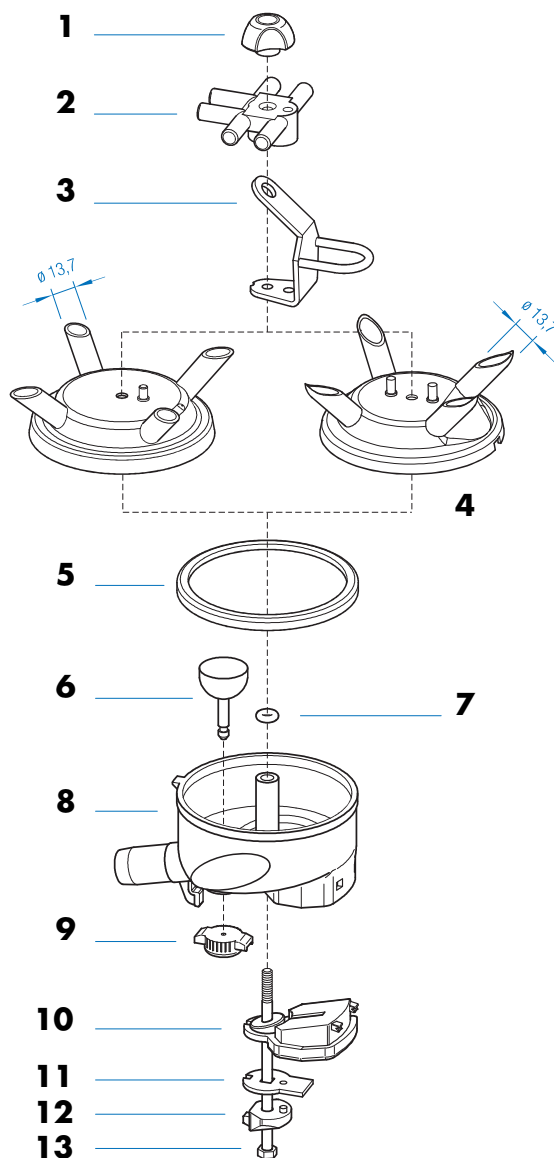
PLASTIC ADJUSTABLE CALF
WEANER WITH SPIKES -
YELLOW

04.03.0004



MILKING CLAW IN POLYSULFONE AND STEEL 300CC WITH VALVE

04.04.0356



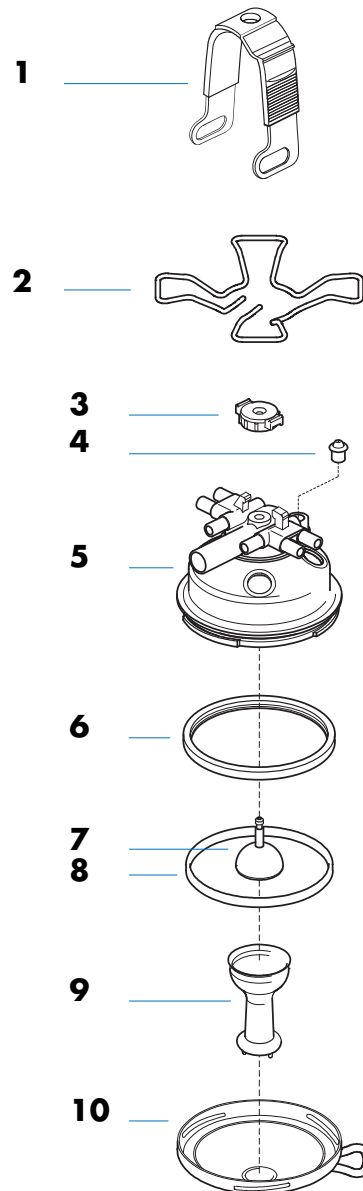
AVAILABLE SPARE PARTS

1	04.04.3371	SPARE SCREW FOR CLAW 300 CC
2	04.04.3373	SPARE AIR DRIVER FOR CLAW 300 CC
3	04.04.3372	SPARE METAL HOOK FOR CLAW 300 CC
4	04.04.3374	SPARE STEEL UPPER BOWL FOR CLAW 300 CC
5	04.04.3377	SPARE GASKET FOR CLAW 300 CC
6	04.04.3375	SPARE VALVE WITH LINCHPIN FOR CLAW 300 CC
7	04.04.3384	SPARE O-RING FOR CLAW 300 CC
8	04.04.3378	SPARE POLYSULFONE LOWER BOWL FOR CLAW 300 CC WITH VALVE
8	04.04.3386	SPARE LOWER BOWL IN DARK PSU FOR CLAW 300 CC WITHOUT VALVE
8	04.04.3388	SPARE LOWER BOWL IN DARK PSU FOR CLAW 300 CC WITH VALVE
9	04.04.3379	SHUT OFF VALVE DISK FOR CLAW 300 CC
10	04.04.3380	SPARE BUMPER FOR CLAW 300 CC
11	04.04.3381	SPARE METAL INTERMEDIATE LATCH FOR CLAW 300 CC
12	04.04.3382	SPARE BUMPER SUPPORT FOR CLAW 300 CC
13	04.04.3383	SPARE SCREW AND POLE FOR CLAW 300 CC



MILKING CLAW "HARMONY" IN
POLYSULPHONE AND STEEL 360CC

04.04.0357



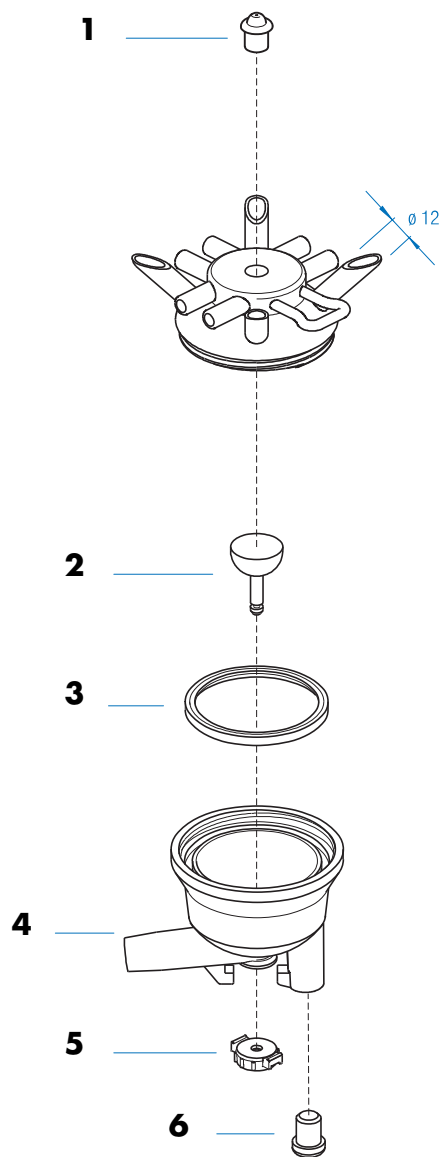
AVAILABLE SPARE PARTS

1	04.04.3401	SPARE SUPPORT FITTING FOR HARMONY CLAW 360 CC
2	04.04.3400	SPARE MEMBRANE HOLDER FOR HARMONY CLAW 360 CC
3	04.04.3403	SPARE SHUT OFF VALVE DISK FOR CLAW "HARMONY 360 CC" AND "ALFA 150 CC" (7 PCS)
4	04.04.3404	SPARE AIR DRIVER CUP FOR CLAW "HARMONY 360 CC" AND "ALFA 150 CC"
5	04.04.3405	SPARE UPPER BOWL IN POLYSULPHONE FOR HARMONY CLAW 360 CC
6	04.04.3406	SPARE OUTER GASKET FOR HARMONY CLAW 360 CC
7	04.04.3407	SPARE VALVE WITH LINCHPIN FOR CLAW "HARMONY 360 CC" AND "ALFA 150 CC"
8	04.04.3408	SPARE INNER GASKET FOR HARMONY CLAW 360 CC
9	04.04.3409	SPARE INNER TUBE IN POLYSULFONE FOR HARMONY CLAW 360 CC
10	04.04.3402	SPARE STEEL LOWER BOWL FOR HARMONY CLAW 360 CC



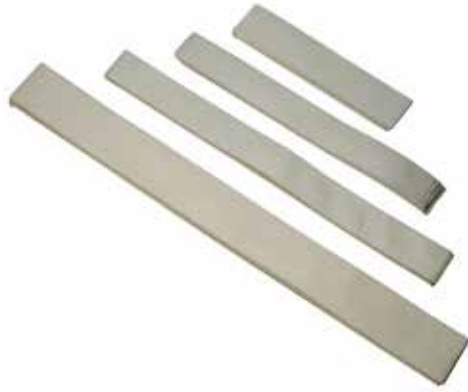
MILKING CLAW IN POLIYSULFONE AND STEEL 150 CC WITH VALVE

04.04.0365



AVAILABLE SPARE PARTS

1	04.04.3404	SPARE AIR DRIVER CUP FOR CLAW "HARMONY 360 CC" AND "ALFA 150 CC"
2	04.04.3407	SPARE VALVE WITH LINCHPIN FOR CLAW "HARMONY 360 CC" AND "ALFA 150 CC"
3	04.04.3485	SPARE GASKET FOR ALFA CLAW 150 CC
4	04.04.3480	SPARE UPPER BOWL IN POLYSULPHONE FOR ALFA CLAW 150 CC
5	04.04.3403	SPARE SHUT OFF VALVE DISK FOR CLAW "HARMONY 360 CC" AND "ALFA 150 CC" (7 PCS)
6	04.04.3479	SPARE RUBBER TAP FOR ALFA CLAW 150 CC



MILK FILTER SOCK SEWN -
TECNOLATTE PREMIUM

04.04.1031	60 X 320 MM	200 PCS
04.04.1033	60 X 620 MM	200 PCS
04.04.1043	60 X 450 MM	200 PCS
04.04.1051	60 X 320 MM	100 PCS
04.04.1053	60 X 620 MM	100 PCS
04.04.1056	60 X 450 MM	100 PCS



QUARTER MILKER

04.04.1930



PVC MILK TUBE (WITHOUT
PHTHALATES)

04.04.1315	Ø 14,5 x 24,5 mm
04.04.1316	Ø 16 x 26 mm



OILER FOR VACUUM PUMP

04.04.5820



UNIVERSAL OILER FOR GPV 1500 -
GPV 500/700/1000

04.04.5822	GPV 1500
04.04.5823	GPV 500/700/1000



PNEUMATIC PULSATOR TECNOLATTE
P180 2 EXIT 60/40 GREEN METAL
COVER - SUPERIOR QUALITY

04.04.0516



PNEUMATIC PULSATOR TECNOLATTE
P380 2 EXIT 60/40 RED METAL
COVER

04.04.0525



DIAPHRAGM FOR PULSATOR
TECNOLATTE (10) - ALSO ADAPTABLE
L80

04.04.0542	BIG
04.04.0543	SMALL



PLASTIC PRESSURE SPRAYER
WITH QUICK COUPLING AND
REGULATION

04.04.2580



METAL PRESSURE SPRAYER
WITH QUICK COUPLING AND
REGULATION

04.04.2581



METAL AND PLASTIC SPRAYER WITH
QUICK COUPLING AND REGULATION

04.04.2584



PVC "IABER" MILKING APRON

04.05.0064	120x80 CM
04.05.0065	125x100 CM



PU MILKING APRON "FARMTRAK"

04.05.0081	109 CM
04.05.0082	122 CM



PVC MILKING APRON - HEAVY

04.05.0010	115x100 CM
04.05.0011	125x118 CM



PVC MILKING APRON WITH
FRONTAL POCKET - HEAVY

04.05.0013	115x100 CM
04.05.0014	125x118 CM



PU "IABER" MILKING APRON

04.05.0041	120x80 CM
04.05.0042	125x100 CM



WATERPROOF "FARMTRAK" PU
LONG SLEEVES JACKET - BLUE

04.05.0122	L
04.05.0123	XL



WATERPROOF "FARMTRAK" PU
LONG SLEEVES JACKET - GREEN

04.05.0132	L
04.05.0133	XL



WATERPROOF "FARMTRAK" PU
SHORT SLEEVES JACKET- BLUE

04.05.0142	L
04.05.0143	XL



WATERPROOF "FARMTRAK" PU TROUSERS - GREEN

04.05.0162	L
04.05.0163	XL



WATERPROOF "FARMTRAK" PU TROUSERS- BLUE

04.05.0172	L
04.05.0173	XL



DISPOSABLE MILKING PROTECTIVE PE SLEEVE (100 PCS)

04.05.0512



MILKING PROTECTIVE SLEEVE IN OXFORD POLYESTER (PAIR)

04.05.0513



MILKING PROTECTIVE SLEEVE SOFTSHELL (PAIR)

04.05.0520



"IABER" MILKING PROTECTIVE SLEEVE IN PVC/PU

04.05.0522



PROTECTIVE MILKING SLEEVE "SHEDLINE" PU WITH ELASTIC

04.05.0531	M
04.05.0532	L



MILKING PROTECTIVE SLEEVE- FULL PROTECTION

04.05.0516



MILKING PROTECTIVE SLEEVES IN PVC WITH ELASTICS (PAIR)

04.05.0514

FARMTRACK BOOTS LB1

"FARMTRACK" PU BOOTS - NON-SAFETY VERSION



CODE	EUROPE SIZE	UK SIZE	MATERIAL	COLOR
04.06.0012	42	8	PU/polyurethane	DARK GREEN
04.06.0013	43	9	PU/polyurethane	DARK GREEN
04.06.0014	44	10	PU/polyurethane	DARK GREEN
04.06.0015	45	10,5	PU/polyurethane	DARK GREEN

FARMTRACK BOOTS SB1 S5

"FARMTRACK" PU BOOTS S5 FOR HEAVY-DUTY



CODE	EUROPE SIZE	UK SIZE	MATERIAL	COLOR
04.06.0042	42	8	PU/polyurethane	DARK GREEN
04.06.0043	43	9	PU/polyurethane	DARK GREEN
04.06.0044	44	10	PU/polyurethane	DARK GREEN
04.06.0045	45	10,5	PU/polyurethane	DARK GREEN



05



WEIGHING AND MEASURING





DIAL MECHANICAL METAL BODY
HANGING SCALE

05.01.1033	25 KG (± 0,1 KG)
05.01.1034	50 KG (± 0,2 KG)
05.01.1035	100 KG (± 0,5 KG)
05.01.1037	200 KG (± 1 KG)



DIAL MECHANICAL METAL BODY
HANGING SCALE "SALTER"

05.01.1051	5 KG (± 0,1 KG)
05.01.1052	10 KG (± 0,2 KG)



DIGITAL HANGING SCALE BACKLIGHT

05.01.1231	50 KG (± 0,01 KG)
-------------------	--------------------------



DIGITAL HANGING SCALE
BACKLIGHT

05.01.1251	200 KG (± 0,01 KG)
05.01.1272	300 KG (± 0,01 KG)



CALF WEIGHING HARNESS FOR
HANGING SCALE (UP TO 80 KG)

05.01.1295



WEIGHT MEASURING TAPE FOR CATTLE
AND SWINES

05.01.0002



COPPER HANGING SCALE

05.01.1103	50 KG (± 1 KG)
05.01.1104	100 KG (± 2 KG)



POCKET DIGITAL SCALE 200 G (± 1 G)

05.01.1333

NEW!



RECTAL THERMOMETER FOR LARGE LIVESTOCK

05.01.2055



DIGITAL PROBE FOOD THERMOMETER (FROM -50 °C TO +300 °C)

05.01.2011



MILK THERMOMETER WITH PLASTIC PROTECTION (FROM -10 °C TO +110 °C)

05.01.2013



RAIN GAUGE 30 CM RIGID PLASTIC WITH TIP - 120 ML

05.01.3012

NEW!



PH DIGITAL TESTER 0 - 14 pH (± 0,1 pH) WITH CALIBRATION SYSTEM

05.01.2950

06



ARTIFICIAL INSEMINATION



CONTAINER FOR LIQUID NITROGEN

YDS SERIES SINGLE LEVEL

The YDS Series containers are ideal for storing biological samples inside special baskets and gobelets.



YDS 3 - 50
SINGLE LEVEL

CONTAINER CODE	06.05.0002
CAPACITY	3 L
NECK DIAMETER	50 MM
STATIC HOLDING TIME	LOW



YDS 6 - 50
SINGLE LEVEL

CONTAINER CODE	06.05.0003
CAPACITY	6 L
NECK DIAMETER	50 MM
STATIC HOLDING TIME	LOW



YDS 10 - 50
SINGLE LEVEL

CONTAINER CODE	06.05.0038
CAPACITY	10 L
NECK DIAMETER	50 MM
STATIC HOLDING TIME	MEDIUM



YDS 12 - 90
SINGLE LEVEL

CONTAINER CODE	06.05.0060
CAPACITY	12 L
NECK DIAMETER	90 MM
STATIC HOLDING TIME	HIGH



YDS 20 - 50
SINGLE LEVEL

CONTAINER CODE	06.05.0035
CAPACITY	20 L
NECK DIAMETER	50 MM
STATIC HOLDING TIME	MEDIUM



YDS 35 - 50
SINGLE LEVEL

CONTAINER CODE	06.05.0031
CAPACITY	35 L
NECK DIAMETER	50 MM
STATIC HOLDING TIME	MEDIUM

	06.05.0002	06.05.0003	06.05.0038	06.05.0060	06.05.0035	06.05.0031
CONTAINER CODE	YDS 3 - 50	YDS 6 - 50	YDS 10 - 50	YDS 12 - 90	YDS 20 - 50	YDS 35 -50
CAPACITY	3 L	6 L	10 L	12 L	20 L	35 L
NECK DIAMETER	50 MM	50 MM	50 MM	90 MM	50 MM	50 MM
LEVEL	SINGLE	SINGLE	SINGLE	SINGLE	SINGLE	SINGLE
STORED STRAIGHT CAPACITY	MEDIUM	MEDIUM	MEDIUM	HIGH	MEDIUM	MEDIUM
STATIC HOLDING TIME	MEDIUM	LOW	MEDIUM	LOW	HIGH	HIGH
IN CANISTER WITH NO LARGE GOBELT						
0,50 ML LOOSE STRAWS	750	750	750	2580	750	750
0,25 ML LOOSE STRAWS	1500	1500	1500	5280	1500	1500
0,50 ML STRAWS DIVIDED INTO SMALL GOBELTS	420	420	420	1500	432	432
0,25 ML STRAWS DIVIDED INTO SMALL GOBELTS	1020	1020	1020	3420	1020	1020
IN CANISTER WITH PLASTIC GOBELT						
0,50 ML LOOSE STRAWS					600	600
0,25 ML LOOSE STRAWS					1200	1200
0,50 ML STRAWS DIVIDED INTO SMALL GOBELTS					360	360
0,25 ML STRAWS DIVIDED INTO SMALL GOBELTS					810	810
CANISTER LEVELS	6	6	6	6	6	6
CANISTER DIAMETER	39 MM	39 MM	39 MM	70 MM	39 MM	39 MM
PLASTIC STRAW DIAMETER	35 MM	35 MM	35 MM	68 MM	35 MM	35 MM
STATIC EVAPORATION LOSS MASS (L/D)	0,13 L/D	0,19 L/D	0,1 L/D	0,22 L/D	0,1 L/D	0,12 L/D
STATIC HOLDING TIME	16 D	32 D	100 D	55 D	200 D	320 D
WORKING HOLDING TIME	6 D	12 D	60 D	32 D	140 D	180 D
HEIGHT	425 MM	445 MM	530 MM	490 MM	655 MM	670 MM
OUTER DIAMETER	224 MM	287 MM	303 MM	406 MM	409 MM	473 MM
EMPTY WEIGHT	3,4 KG	5 KG	6,2 KG	7,2 KG	11,4 KG	14,5 KG
FULL WEIGHT	5,9 KG	9,9 KG	14,3 KG	17,1 KG	27,6 KG	43,2 KG

CONTAINERS FOR LIQUID NITROGEN

YDS SERIES DOUBLE LEVEL

The YDS Series containers are ideal for storing biological samples inside special baskets and gobelets.



YDS 10A - 50
DOUBLE LEVEL

CONTAINER CODE	06.05.0001
CAPACITY	10 L
NECK DIAMETER	50 MM
STATIC HOLDING TIME	MEDIUM



YDS 20 - 50
DOUBLE LEVEL

CONTAINER CODE	06.05.0005
CAPACITY	25 L
NECK DIAMETER	50 MM
STATIC HOLDING TIME	HIGH



YDS 35 - 50
DOUBLE LEVEL

CONTAINER CODE	06.05.0014
CAPACITY	35 L
NECK DIAMETER	50 MM
STATIC HOLDING TIME	HIGH



YDS 35 - 125
DOUBLE LEVEL

CONTAINER CODE	06.05.0016
CAPACITY	35 L
NECK DIAMETER	125 MM
STATIC HOLDING TIME	MEDIUM



YDS 35 - 90
DOUBLE LEVEL

CONTAINER CODE	06.05.1115
CAPACITY	35 L
NECK DIAMETER	90 MM
STATIC HOLDING TIME	MEDIUM



YDS 47 - 127
DOUBLE LEVEL

CONTAINER CODE	06.05.0008
CAPACITY	47 L
NECK DIAMETER	127 MM
STATIC HOLDING TIME	MEDIUM

	06.05.0001	06.05.0005	06.05.0014	06.05.1115	06.05.0016	06.05.0008
CONTAINER CODE	YDS 10A - 50	YDS 20 - 50	YDS 35 - 50	YDS 35 - 90	YDS 35 - 125	YDS 47 - 127
CAPACITY	10 L	20 L	35 L	35 L	35 L	47 L
NECK DIAMETER	50 MM	50 MM	50 MM	90 MM	125 MM	127 MM
LEVEL	DOUBLE	DOUBLE	DOUBLE	DOUBLE	DOUBLE	DOUBLE
STORED STRAIGHT CAPACITY	MEDIUM	MEDIUM	MEDIUM	HIGH	HIGH	HIGH
STATIC HOLDING TIME	MEDIUM	HIGH	HIGH	MEDIUM	MEDIUM	MEDIUM
IN CANISTER WITH NO LARGE GOBELT						
0,50 ML LOOSE STRAWS		750	750	2580		
0,25 ML LOOSE STRAWS		1500	1500	5280		
0,50 ML STRAWS DIVIDED INTO SMALL GOBELTS		432	432	1500		
0,25 ML STRAWS DIVIDED INTO SMALL GOBELTS		1020	1020	3390		
IN CANISTER WITH PLASTIC GOBELT						
0,50 ML LOOSE STRAWS	1200	1200	1200	4800	11340	11340
0,25 ML LOOSE STRAWS	2400	2400	2400	9600	22680	22680
0,50 ML STRAWS DIVIDED INTO SMALL GOBELTS	720	720	720	2736	6180	6180
0,25 ML STRAWS DIVIDED INTO SMALL GOBELTS	1620	1620	1620	6156	14580	14580
CANISTER LEVELS	6	6	6	6	6	6
CANISTER DIAMETER	39 MM	39 MM	39 MM	70 MM	100 MM	100 MM
PLASTIC STRAW DIAMETER	35 MM	35 MM	35 MM	68 MM	98 MM	98 MM
STATIC EVAPORATION LOSS MASS (L/D)	0,1 L/D	0,1 L/D	0,12 L/D	0,17 L/D	0,3 L/D	0,33 L/D
STATIC HOLDING TIME	100 D	200 D	320 D	185 D	116 D	139 D
WORKING HOLDING TIME	60 D	140 D	180 D	110 D	80 D	100 D
HEIGHT	600 MM	655 MM	670 MM	725 MM	690 MM	675 MM
OUTER DIAMETER	287 MM	409 MM	473 MM	473 MM	473 MM	500 MM
EMPTY WEIGHT	6,8 KG	11,4 KG	14,5 KG	16,1 KG	15,5 KG	19,57 KG
FULL WEIGHT	15,7 KG	27,6 KG	43,2 KG	44,8 KG	44,2 KG	57 KG

CONTAINERS FOR LIQUID NITROGEN

ET SERIES

The ET series of containers is ideal for storing biological samples for artificial insemination. It is characterized by a wider mouth to be able to insert a greater number of baskets than average, while maintaining good autonomy during use. This feature makes it one of the best series for storing biological samples and straws.



ET 20 - 55
DOUBLE LEVEL
6 CANISTERS

CONTAINER CODE	06.05.0052
CAPACITY	20 L
NECK DIAMETER	55 MM
STATIC HOLDING TIME	MEDIUM



ET 40 - 127
DOUBLE LEVEL
10 CANISTERS

CONTAINER CODE	06.05.0053
CAPACITY	40 L
NECK DIAMETER	127 MM
STATIC HOLDING TIME	MEDIUM

	06.05.0052	06.05.0053
CONTAINER CODE	ET20	ET40
CAPACITY	20 L	40 L
NECK DIAMETER	55 MM	127 MM
LEVEL	DOUBLE	DOUBLE
STORED STRAIGHT CAPACITY	HIGH	HIGH
STATIC HOLDING TIME	MEDIUM	MEDIUM
0,50 ML LOOSE STRAWS	1866	8200
0,25 ML LOOSE STRAWS	3732	16400
CANISTER LEVELS	6	10
CANISTER DIAMETER	43 MM	73 MM
STATIC EVAPORATION LOSS MASS (L/D)	0,11 L/D	0,1 L/D
STATIC HOLDING TIME	178 D	98 D
WORKING HOLDING TIME	107 D	59 D
HEIGHT	627 MM	670 MM
OUTER DIAMETER	406 MM	461 MM
EMPTY WEIGHT	9,6 KG	13,5 KG
FULL WEIGHT	26 KG	45 KG

CONTAINERS FOR LIQUID NITROGEN

YDH SERIES - DRY SHIPPER

The YDH Dry shipper container series is ideal for transporting biological samples and straws. Inside there is a material specifically designed to absorb nitrogen and releases it in the form of steam, thus preventing it from accidentally spilling.



YDH 3 - 50
DRY SHIPPER

CONTAINER CODE	06.05.0043
CAPACITY	3 L
NECK DIAMETER	50 MM
STATIC HOLDING TIME	LOW



YDH 8 - 80
DRY SHIPPER

CONTAINER CODE	06.05.0048
CAPACITY	8 L
NECK DIAMETER	80 MM
STATIC HOLDING TIME	HIGH

	06.05.0043	06.05.0048
CONTAINER CODE	YDH 3-50	YDH 8-80
CAPACITY	3 L	8 L
NECK DIAMETER	50 MM	80 MM
LEVEL	DOUBLE	DOUBLE
STORED STRAIGHT CAPACITY	MEDIUM	MEDIUM
STATIC HOLDING TIME	LOW	HIGH
0,50 ML LOOSE STRAWS	200	800
0,25 ML LOOSE STRAWS	400	1600
0,50 ML STRAWS DIVIDED INTO SMALL GOBLET	120	455
0,25 ML STRAWS DIVIDED INTO SMALL GOBLET	270	1026
CANISTER LEVELS	1	1
CANISTER DIAMETER	39 MM	69 MM
PLASTIC STRAW DIAMETER	35 MM	65 MM
STATIC EVAPORATION LOSS MASS (L/D)	0,14 L/D	0,22 L/D
STATIC HOLDING TIME	25 D	16 D
HEIGHT	535 MM	610 MM
OUTER DIAMETER	224 MM	303 MM
EMPTY WEIGHT	5,2 KG	8,9 KG
FULL WEIGHT	8,5 KG	17 KG

CONTAINERS FOR LIQUID NITROGEN

L SERIES

The L Series containers are ideal for storing nitrogen to keep it ready to use when needed. The absence of baskets makes the dispersion of nitrogen more difficult, guaranteeing longer preservation times



YDS 20 - 50 L

YDS 35 - 50 L

YDS 50 - 50 L

CONTAINER CODE	06.05.0045
CAPACITY	20 L
NECK DIAMETER	50 MM
STATIC HOLDING TIME	HIGH

CONTAINER CODE	06.05.0054
CAPACITY	35 L
NECK DIAMETER	50 MM
STATIC HOLDING TIME	HIGH

CONTAINER CODE	06.05.0056
CAPACITY	50 L
NECK DIAMETER	50 MM
STATIC HOLDING TIME	HIGH

	06.05.0045	06.05.0054	06.05.0056
CONTAINER CODE	YDS 20 - 50	YDS 35 - 50	YDS 50 - 50
CAPACITY	20 L	35 L	50 L
NECK DIAMETER	50 MM	50 MM	50 MM
STATIC HOLDING TIME	HIGH	HIGH	HIGH
STATIC EVAPORATION LOSS MASS (L/D)	0,1 L/D	0,11 L/D	0,11 L/D
STATIC HOLDING TIME	200 D	320 D	455 D
HEIGHT	655 MM	670 MM	820 MM
OUTER DIAMETER	409 MM	473 MM	501 MM
EMPTY WEIGHT	11,4 KG	14,5 KG	29,2 KG
FULL WEIGHT	27,6 KG	43,2 KG	71,9 KG

TRANSPORT



WOODEN BOX FOR TRANSPORT

06.05.1002	SMALL
06.05.1004	BIG
06.05.1005	MEDIUM
06.05.1043	MEDIUM-SMALL
06.05.1048	MEDIUM-BIG



MUSHROOM FOR YDH 3

06.05.1050



MUSHROOM LARGE
(H.54 D.50)

06.05.1052



MUSHROOM YDH 3-50
- SMALL (H.60 D.38)

06.05.1051

PPE



CRYOGENIC PROTECTIVE
GLOVES

06.05.0551	S
06.05.0552	M
06.05.0553	L
06.05.0554	XL



CRYOGENIC PROTECTIVE
APRON

06.05.0567



PROTECTIVE VISOR

06.05.0582



CRYOGENIC PROTECTIVE
GAITERS

06.05.0545

SPARE PARTS





UNIVERSAL SHEATH "BOVIGAINÉ"
FOR BOVINE ARTIFICIAL
INSEMINATION - SPLIT (50)

06.01.0008



UNIVERSAL SHEATH "BOVIGAINÉ"
FOR BOVINE ARTIFICIAL
INSEMINATION - UNSPLIT (50)

06.01.0037



ARTIFICIAL INSEMINATION SLEEVE
"CRYOFARM" (80 PCS)

06.02.0017

06.02.0018



CLEAR MEDIUM STRAW "MINITUBE"
0,50 ML (2500)

06.01.0375



CLEAR MINISTRRAW - "MINITUBE"
0,25 (2000)

06.01.0350



STRAW CUTTER
"ROUNDCUTTER"

06.01.0408



PLASTIC STRAW CUTTER

06.01.0404



STRAW CUTTER
"MINICUTTER"

06.01.0405



HEATER FOR A.I. GUN "QUICKLOCK HEATER 4.0"

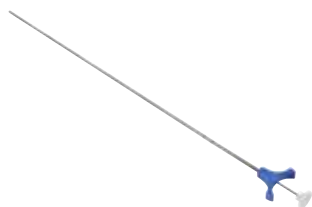
06.01.0095

NEW!



HEATER FOR A.I. GUN "CRYOFARM"

06.01.0099



UNIVERSAL GUN "QUICKLOCK ERGO" LONG MODEL

06.01.0026



UNIVERSAL GUN "QUICKLOCK" FOR BOVINE ARTIFICIAL INSEMINATION

06.01.0027	WHITE
06.01.0078	BLUE
06.01.0079	YELLOW
06.01.0080	RED
06.01.0081	GREEN

NEW!



UNIVERSAL GUN F/ART. INS. WITH LOCK

06.01.9971



SEMEN THAW "CITO" 12-220 V

06.01.0735

06.01.0741 - UK PLUG

NEW!



SEMEN THAW "CITO" 12-220 V - DIGITAL

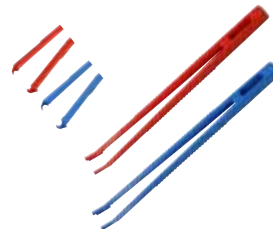
06.01.0736

06.01.0742 - U.K. PLUG



LIQUID CRYSTAL THERMOMETER "CRYOFARM"

06.01.0703



AI PLASTIC TWEEZERS

06.01.0421	0,25 ML	RED
-------------------	----------------	------------

06.01.0420	0,5 ML	BLUE
-------------------	---------------	-------------



CORD FOR 12V CITO THAW (LIGHTER PLUG)

06.01.0737



POWER SUPPLY 220/12 V CITO THAW

06.01.0738



STRAW CUTTER "CITO"

06.01.0406



ALLIS FORCEPS 25 CM - 10"

06.03.0011



SWINE SEMEN COLLECTION FILTER Ø 24 CM (200)

06.07.0506



INSEMINATION GEL "RAIDEX" 1 L

06.04.5002

"RAIDEX" GEL FOR ULTRASOUND SCAN AND RECTAL AND VAGINAL EXAMINATION - 1 L

06.04.5005

NEW!



SPERMICIDAL LUBRICATING GEL FOR ULTRASOUND AND RECTAL AND VAGINAL EXAMINATIONS "RAIDEX" 5 L

06.04.5006

NEW!



COGEL BLUE ULTRASOUND GEL

06.04.5015	1L
06.04.5016	5L

NEW!



COGEL CLEAR ULTRASOUND GEL

06.04.5020	1L
06.04.5021	5L



HEAT DETECTION PATCH "BOVIFLAG" - (50)

06.01.0552	RED
06.01.0553	YELLOW
06.01.0554	GREEN
06.01.0555	PURPLE
06.01.0556	BLUE

NEW!



TAIL PAINT FOR HEAT DETECTION BOVIPAINT 500 ML

06.01.0542	RED
06.01.0543	YELLOW
06.01.0544	GREEN
06.01.0546	BLUE



MARKING CRAYON FOR HEAT DETECTION 57 G (10)

06.01.0511	RED
06.01.0512	GREEN
06.01.0513	BLUE
06.01.0516	ORANGE
06.01.0517	YELLOW



DISPOSABLE ARM LENGTH GLOVES
"ORANGE SOFTGLOVE" (100)

06.04.0100



DISPOSABLE ARM LENGTH GLOVES
"NEEK" (50)

06.04.0102



VETERINARY GLOVES "GLOVESILK"
SUPER-SENSITIVE (100)

06.04.0120



VALUE VET GLOVES SMALL
"GLOVEFIT" 85 CM - S (100)

06.04.1130



DISPOSABLE ARM LENGTH GLOVES
"GLOVEMAX" 90 CM (100)

06.04.1117



DISPOSABLE ARM LENGTH GLOVES
"GLOVELAST" 90 CM WITH ELASTIC
BAND (50)

06.04.0203



DISPOSABLE ARM LENGTH GLOVES
"GLOVEBAND" 90 CM WITH FIXING
BAND (100)

06.04.0204



DISPOSABLE ARM LENGTH GLOVES
"EURONECK" 120 CM WITH
SHOULDER PROTECTION (100)

06.04.0205



DISPOSABLE ARM LENGTH GLOVES
"GLOVETOP" 120 CM WITH
SHOULDER PROTECTION (50)

06.04.0202





NITRILE GLOVES "IABER" 3 MIL (100)

06.04.1201	S
06.04.1202	M
06.04.1203	L
06.04.1204	XL



NITRILE GLOVES "IABER" 4 MIL (100)

06.04.1242	M
06.04.1243	L
06.04.1244	XL
06.04.1245	XXL



VINYL GLOVES "IABER" (100)

06.04.1301	S
06.04.1302	M
06.04.1303	L
06.04.1304	XL



NITRILE TOP PRO DISPOSABLE GLOVES BLUE 24 CM

06.04.1941	M	100 pz
06.04.1942	L	100 pz
06.04.1943	XL	100 pz
06.04.1944	XXL	90 pz



NITRILE DISPOSABLE GLOVES TOP LONG BLACK 30 CM

06.04.1950	S
06.04.1951	M
06.04.1952	L
06.04.1953	XL
06.04.1954	XXL



DISPOSABLE POLYETHYLENE OVER COAT WITH LACE TO TIDE AND LONG SLEEVES

06.04.1520	1
06.04.1530	10



DISPOSABLE OVER COAT FULL-BODY 135 CM WITH LONG SLEEVES (20)

06.04.1535



DISPOSABLE BOOT COVER WITH ELASTIC BAND

06.04.1504	10
06.04.1505	50



DISPOSABLE BOOT COVER WITH LACE TO TIDE (50)

06.04.1508



WAX BLOCK FOR MATING IDENTIFICATION HERNESS

06.03.0510	RED
06.03.0511	BLUE
06.03.0512	GREEN
06.03.0513	YELLOW
06.03.0514	ORANGE
06.03.0515	BLACK



MATING IDENTIFICAZION HARNESS FOR EWES AND SWINES (WITHOUT WAX BLOCK)

06.03.0501



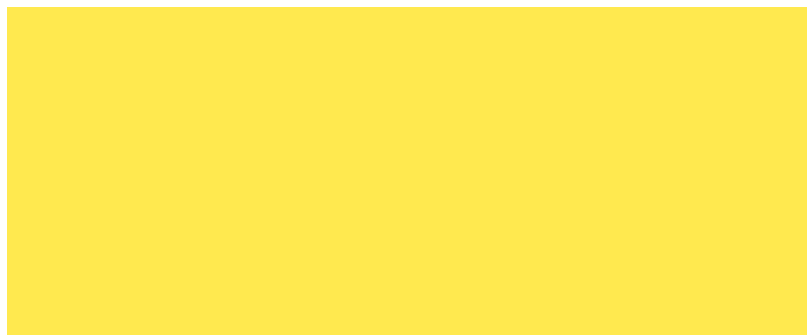
VAGINAL SPECULUM 20 CM

06.03.0012

07



DRINKING SYSTEM





COW/HORSE 5 L WATER BOWL IN
SS AND CAST IRON WITH PIPE VALVE
- G 1/2"

07.07.0020



MOUNTING SHACKLES FOR
DRINKING BOWL

07.07.0025



SPARE BRASS PIPE VALVE
FOR DRINKING BOWL

07.07.0026



COW/HORSE 5 L WATER BOWL IN
SS WITH PIPE VALVE - G 1/2"

07.07.0030



MOUNTING SHACKLES FOR
DRINKING BOWL

07.07.0035



SPARE BRASS PIPE VALVE
FOR DRINKING BOWL

07.07.0036



COW/HORSE 2,5 L SS WATER BOWL
WITH PLASTIC AND BRASS FLOATING
VALVE - G 1/2"

07.07.0200



COW/HORSE 2,5 L SS WATER BOWL
WITH PLASTIC FLOATING VALVE - G 1/2"

07.07.0210



SPARE HIGH PRESSURE
FLOATING VALVE FOR
DRINKING BOWL

07.07.0205



SPARE PIPE VALVE FOR
DRINKING BOWL

07.07.0155



COW/HORSE 2,8 L PLASTIC WATER
BOWL WITH PLASTIC FLOATING
VALVE G 1/2"

07.07.0150



SPARE FLOATING VALVE FOR
DRINKING BOWL

07.07.0155



DRAIN PLUG FOR
DRINKING BOWL

07.07.0156



COW/HORSE 1,7 L WATER BOWL IN
CAST IRON WITH SS NOSE PADDLE
G 1/2"

07.07.0061



COW/HORSE 1,45 L WATER BOWL
IN CAST IRON WITH SS NOSE
PADDLE G 1/2"

07.07.0051



SPARE BRASS VALVE FOR
DRINKING BOWL

07.07.0055



MOUNTING PLATE FOF
DRINKING BOWL

07.07.0056



SPARE BRASS VALVE FOR
DRINKING BOWL

07.07.0055



MOUNTING PLATE FOF
DRINKING BOWL

07.07.0056



COW/HORSE 2,5 L PLASTIC WATER
BOWL WITH PLASTIC NOSE PADDLE
G 1/2"

07.07.0101



SHEEP/GOAT 0,5 L WATER BOWL FOR
IN PLASTIC WITH PIPE VALVE - G 1/2"

07.07.0330



MOUNTING PLATE
FOR DRINKING BOWL

07.07.0105



SPARE PLASTIC
PADDLE FOR
DRINKING BOWL

07.07.0106



SPARE BRASS VALVE
FOR DRINKING BOWL

07.07.0107



BITE NIPPLE DRINKER FOR PIGLETS SS
(WITH RED FILTER) - 5,5 CM x 1/2"
(5)

07.01.0241	INOX 201
07.01.0291	INOX 304



BITE NIPPLE DRINKER FOR PIGS SS
(WITH RED FILTER) - 6,5 CM x 1/2"
(5)

07.01.0243	INOX 201
07.01.0293	INOX 304



BITE NIPPLE DRINKER FOR SOWS SS
(WITH RED FILTER) - 8,5 CM x 1/2"
(5)

07.01.0245	INOX 201
07.01.0295	INOX 304



NIPPLE DIRNKER SS (WITH RED FILTER)
- 8 MM x 1/2" (5)

07.01.0272	INOX 201
07.01.0302	INOX 304



SPRAY NIPPLE SS (WITH RED FILTER) -
1/2" (5)

07.01.0276	INOX 201
07.01.0306	INOX 304



ANTIFREEZE HEATING CABLE WITH
THERMOSTAT

07.07.0585	2 M
07.07.0586	4 M



PLASTIC POULTRY DRINKER "IABER AIE" WITH HANDLE

07.06.0021	1,5 LT
07.06.0024	4 LT
07.06.0026	6 LT
07.06.0030	10 LT



PLASTIC POULTRY DRINKER "ECHO" WITH HANDLE AND LEGS

07.04.0361	1,5 LT
07.04.0364	8 LT



PLASTIC POULTRY DRINKER WITH FILLING CAP, LEGS AND HANDLE

07.04.0327	5 LT
07.04.0328	10 LT
07.04.0329	15 LT



PLASTIC POULTRY DRINKER WITH CAP, HANDLE AND LEGS - 15 L

07.04.0340



PLASTIC POULTRY DRINKER WITH CAP, HANDLE AND TRIPOD - 24 L

07.04.0341



FLOW WATERER FOR CHICKS FOR PLASTIC BOTTLE

07.04.0321



POULTRY DRINKER BUCKET 5,5 L

07.04.0335



PLASTIC FEED TROUGH WITH GRID

07.04.0425	50x7x8 CM
07.04.0426	50x15x13 CM
07.04.0427	100x15x13 CM



PLASTIC POULTRY FEEDER "IABER AIE" WITH HANDLE

07.06.0071	1,5 KG
07.06.0073	3 KG
07.06.0076	6 KG
07.06.0079	9 KG



PLASTIC POULTRY FEEDER "ECHO" WITH HANDLE AND LEGS - 5 KG

07.04.0464



PLASTIC POULTRY FEEDER WITH THREADED BAR FOR ADJUSTMENT, ANTI-WASTE FINS AND LEGS

07.04.0420	9 L
07.04.0421	20 L



EXTENSIBLE AND ANTI-KNOT
IRRIGATION HOSE -WITH FITTING
AND LANCE 5/8 22,5MT

12.05.0015



FLEXIBLE AND ANTI-KNOT IRRIGATION
HOSE - WITHOUT FITTINGS

12.05.0173



FITTING FOR 3/4 HOSE 12.05.0173

12.05.0581



HOSE CUTTER IN SS AND PLASTIC - BLUE

04.04.1376



08



FENCING EQUIPMENT





BLACK RING INSULATOR WITH
SCREW - REINFORCED WITH METAL
CORE - STANDARD (25)

08.04.0001



BLACK RING INSULATOR WITH
SCREW - REINFORCED WITH METAL
CORE - BIG (25)

08.04.0010



BLACK INSULATOR FOR ROPE AND
TAPE 4 CM (25)

08.04.0015



ROTATING CORNER INSULATOR FOR
ROPE (10)

08.04.0033



TWO-WAY GATE INSULATOR WITH
SCREW (10)

08.04.0035



INSULATING GATE HANDLE WITH
HOOK AND INNER SPRING

08.04.0052



BLACK INSULATOR "W TYPE" FOR
ROPE (25)

08.04.0028



BLACK STRAIN INSULATOR FOR ROPE
(25)


08.04.0029




WHITE STRAIN INSULATOR FOR
ROPE - SUPERIOR QUALITY (10)

08.04.0030


OVAL FIBERGLASS POST



08.04.2002	
COLOUR	YELLOW
TOTAL HEIGHT	110 CM
Ø	10X8 CM
GROUND NAIL LENGTH	22 CM
GROUND NAIL MATERIAL	METAL
PLASTIC INSULATOR	HEAD+1



08.04.2003	
COLOUR	YELLOW
TOTAL HEIGHT	140 CM
Ø	10X8 CM
GROUND NAIL LENGTH	22 CM
GROUND NAIL MATERIAL	METAL
PLASTIC INSULATOR	HEAD+1



08.04.2005	
COLOUR	YELLOW
TOTAL HEIGHT	110 CM
Ø	10X8 CM
GROUND NAIL LENGTH	22 CM
GROUND NAIL MATERIAL	FIBERGLASS AND PLASTIC
PLASTIC INSULATOR	HEAD+1



ADDITIONAL INSULATORS FOR WIRES 20 MM FOR FIBERGLASS POSTS (25)

08.04.2018



FENCING PLIERS RED HANDLE (CHROME VANADIUM STEEL)

08.05.0305



METAL ROPE STRETCHER (10)

08.05.0200



TENSIONING ARM FOR METAL ROPE STRETCHER

08.05.0202



POLYWIRE "STANDARD" FOR ELECTRIC FENCE

CODE	LENGTH	THICKNESS	NR. SS WIRES	RESISTANCE	BREAKING LOAD
08.04.1310	250 M	2 MM	3 X 0,16 MM	12 Ω	70 KG
08.04.1311	500 M	2 MM	3 X 0,16 MM	12 Ω	70 KG
08.04.1320	250 M	2 MM	6 X 0,16 MM	5,5 Ω	70 KG
08.04.1321	500 M	2 MM	6 X 0,16 MM	5,5 Ω	70 KG



POLYWIRE "SUPER" FOR ELECTRIC FENCE

CODE	LENGTH	THICKNESS	NR. SS WIRES	RESISTANCE	BREAKING LOAD
08.04.1330	250 M	2,5 MM	3 X 0,2 MM	7,2 Ω	95 KG
08.04.1331	500 M	2,5 MM	3 X 0,2 MM	7,2 Ω	95 KG
08.04.1340	250 M	2,5 MM	3 X 0,2 MM	3,6 Ω	95 KG
08.04.1341	500 M	2,5 MM	3 X 0,2 MM	3,6 Ω	95 KG



POLYWIRE "PREMIUM" FOR ELECTRIC FENCE

CODE	LENGTH	THICKNESS	NR. SS WIRES	NR. COPPER WIRES	RESISTANCE	BREAKING LOAD
08.04.1370	250 M	2,5 MM	2 X 0,2 MM	1 X 0,25 MM	0,45 Ω	95 KG
08.04.1371	500 M	2,5 MM	2 X 0,2 MM	1 X 0,25 MM	0,45 Ω	95 KG



POLYTAPE "STANDARD" FOR ELECTRIC FENCE

CODE	LENGTH	THICKNESS	NR. SS WIRES	RESISTANCE	BREAKING LOAD
08.04.1734	200 M	10 MM	4 X 0,16 MM	9 Ω	65 KG
08.04.1737	200 M	20 MM	4 X 0,16 MM	9 Ω	90 KG
08.04.1739	200 M	40 MM	8 X 0,16 MM	3,8 Ω	120 KG





islo

I N N O V A



Distributed by:
IABER SRL
Via Snos, n.1
12038 SAVIGLIANO (CN)
TEL. +39 0172 725727
info@iaber.it

www.cryofarm.com
www.iaber.it