

# NEW PRODUCTS CATALOGUE



VETERINARY  
ZOOTECNICAL  
EQUIPMENT





**MALE EAR TAG ROUND - YELLOW**

**20.01.0301**



**ELECTRONIC EAR TAGS FDX  
REUSABLE WITH PRE-ASSIGNED  
NUMBER - YELLOW (25 PCS)**

**01.01.4500**



**RFID STICK READER "READ 181"  
FOR EAR TAG AND BOLUS  
(FDX - HDX) - ORANGE**

**01.01.4010**



**EAR TAG "ZOOFLEX" 37 X 11 MM WITHOUT  
NUMBERS FOR SHEEP AND GOATS - YELLOW (M+F)**

CODE	COLOUR
20.01.0510	YELLOW
20.01.0511	BLUE
20.01.0512	WHITE
20.01.0513	ORANGE
20.01.0514	GREEN
20.01.0515	RED



**BOLUS APPLICATOR SS WITH PLASTIC HANDLE AND RUBBER HEAD 16 X 64 MM**  
**02.07.0070**



**BOLUS APPLICATOR SS WITH METAL HANDLE 35 CM - THREE HEADS SET Ø 15-21-26 MM**  
**02.07.0037**



**HOOF NIPPER WITH FLAT  
HEAD POLISHED 30 CM - 12"**

**03.02.0119**



**HOOF PLIERS FOR BOVINE 36 CM - 14"**

**03.02.0138**



**TWO-COMPONENT GLUE FOR HOOF  
BLOCK "BLOCKBOND" 200 ML**

**03.02.0400B**

F-SYSTEM FITTING



**MIXING TIP WITH SYMMETRICAL FIT FOR  
TWO-COMPONENT HOOF GLUE - (10 PCS)**

**03.02.0415**

F-SYSTEM FITTING



PROFESSIONAL HOOF CUTTING DISC "EZA-SQUARE" GREEN

03.02.0263

N° BLADES	MM	CUTS	Ø
6 SQUARED BLADES	3 MM	4 CUTS	115 MM



PROFESSIONAL HOOF CARE DISC "EZA-SQUARE" GREEN

03.02.0264

N° BLADES	MM	CUTS	Ø
6 SQUARED BLADES	2 MM	4 CUTS	115 MM



**COMB "LISTER A56" 25 TEETH FOR ELECTRIC CLIPPER FOR SHEEP - BOVINE COMB**

**03.06.3295**



**COUNTER COMB "LISTER A5" 4 TEETH FOR ELECTRIC CLIPPER FOR SHEEP - UNIVERSAL**

**03.06.3294**



**SET COMB AND COUNTER COMB "LISTER A56-A5" FOR ELECTRIC CLIPPER FOR SHEEP (25 + 4) UNIVERSAL - BOVINE COMB**

**03.06.3293**



**SET COMB AND COUNTER COMB "LISTER A56-A5" FOR ELECTRIC CLIPPER FOR SHEEP (25 + 4) UNIVERSAL - BOVINE COMB**

**03.06.3273**



**COMB AND COUNTER COMB SET "FARM-PRO" FOR SHEEP SHEARING MACHINE (13 + 4) IN TUNGSTEN - WIDE COMB**

**03.06.3276**



**COMB FOR ELECTRIC SHEEP SHEARING MACHINE - 20 TEETH (FOR CATTLE)**

**03.06.3291**

**Heiniger**



**ELECTRIC CATTLE SHEARING MACHINE "HEINIGER XPERIENCE 2 SPEED" 250W 240V**

**03.06.3515**



**ELECTRIC CATTLE SHEARING MACHINE BLADES SET "HEINIGER" ALL-ROUND (21 + 23)**

**03.06.3605**



**ELECTRIC CATTLE SHEARING MACHINE BLADES SET "HEINIGER" FOR FAST CLIPPING (18 + 23)**

**03.06.3602**



**ELECTRIC CATTLE SHEARING MACHINE BLADES SET "HEINIGER" FOR VETERINARY (53 + 23)**

**03.06.3611**



**ELECTRIC CATTLE SHEARING MACHINE BLADES SET "HEINIGER" FOR CHAROLAIS (18 + 15)**

**03.06.3608**



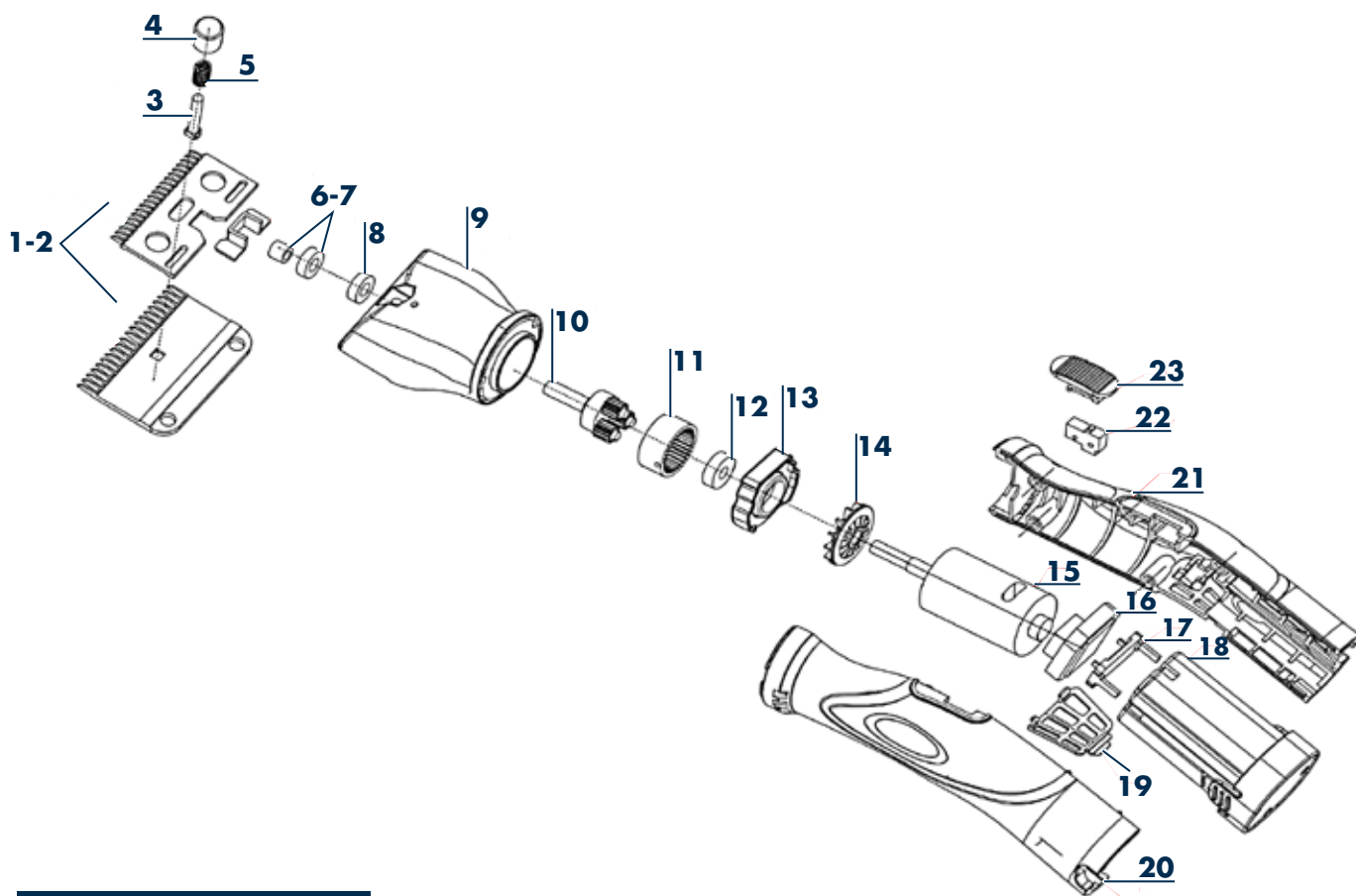
**ELECTRIC CATTLE SHEARING MACHINE "FARMPRO CATTLE" BRUSHLESS WITH LI-ION BATTERY (2500 mAh - 60 min)**

**03.06.3651**



**ELECTRIC CATTLE SHEARING MACHINE BLADES SET "FARMPRO CATTLE" (21 + 19)**

**03.06.3770**



## AVAILABLE EXCHANGES

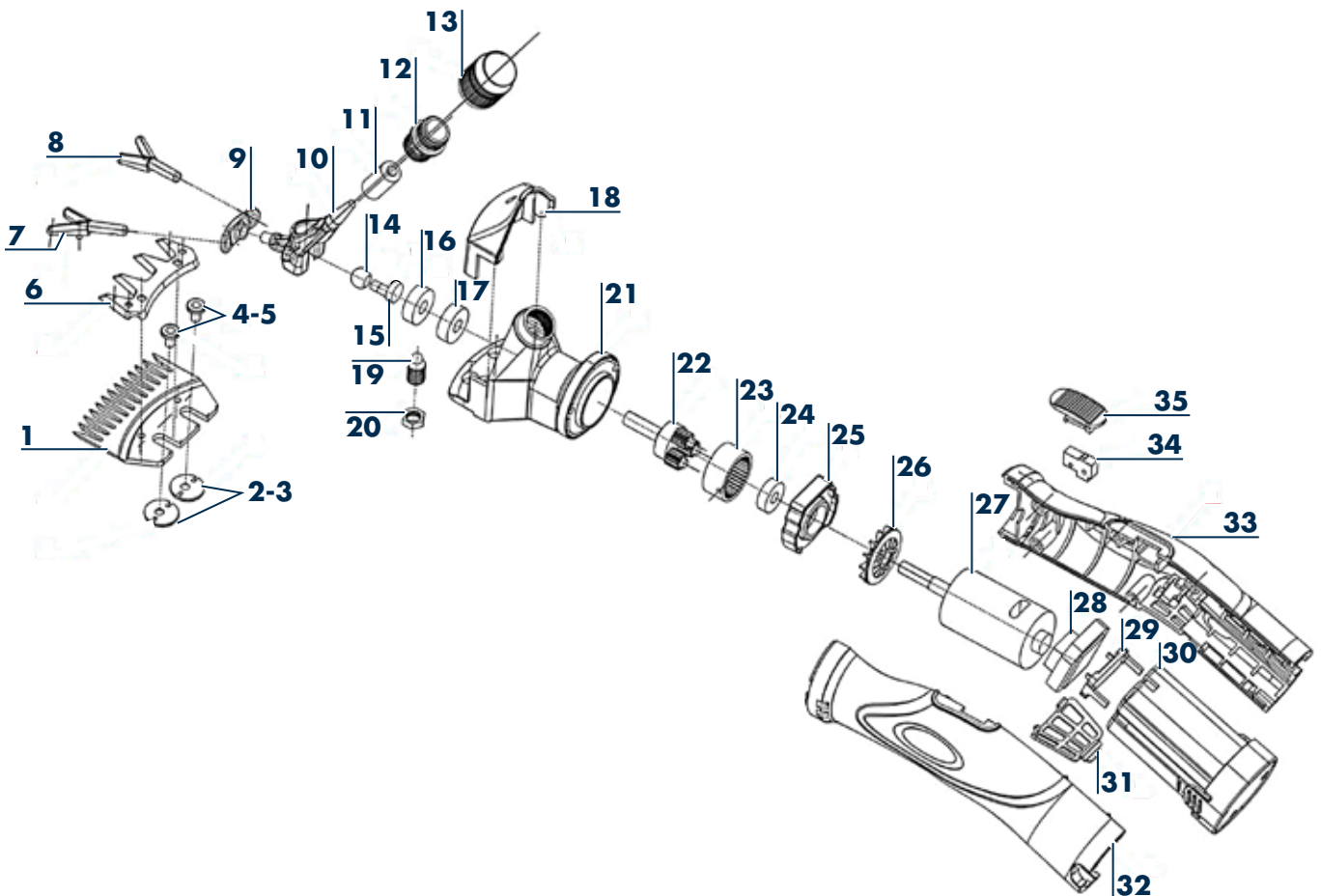
<b>1</b>	<b>03.06.3770</b>	ELECTRIC CATTLE SHEARING MACHINE BLADES SET "FARMPRO CATTLE"
<b>2</b>	<b>03.06.3770</b>	ELECTRIC CATTLE SHEARING MACHINE BLADES SET "FARMPRO CATTLE"
<b>3</b>	<b>03.06.3672</b>	SPARE PART FOR CORDLESS SHEARING MACHINE "FARMPRO" - FIXING SCREW
<b>4</b>	<b>03.06.3673</b>	SPARE PART FOR CORDLESS SHEARING MACHINE "FARMPRO" - TENSION NUT
<b>5</b>	<b>03.06.3675</b>	SPARE PART FOR CORDLESS SHEARING MACHINE "FARMPRO" - SPRING
<b>6</b>	<b>03.06.3676</b>	SPARE PART FOR CORDLESS SHEARING MACHINE "FARMPRO" - ECCENTRIC SOCKET AND HEAD
<b>7</b>	<b>03.06.3676</b>	SPARE PART FOR CORDLESS SHEARING MACHINE "FARMPRO" - ECCENTRIC SOCKET AND HEAD
<b>8</b>	<b>03.06.3077</b>	SPARE PART FOR CORDLESS SHEARING MACHINE "FARMPRO" - ECCENTRIC SOCKET AND HEAD
<b>9</b>	<b>03.06.3677</b>	SPARE PART FOR CORDLESS SHEARING MACHINE "FARMPRO" - HEAD HOUSING
<b>10</b>	<b>03.06.3078</b>	SPARE PART FOR CORDLESS SHEARING MACHINE "FARMPRO" - GEAR AND SHAFT ASSEMBLY
<b>11</b>	<b>03.06.3079</b>	SPARE PART FOR CORDLESS SHEARING MACHINE "FARMPRO" - RING GEAR
<b>12</b>	<b>03.06.3080</b>	SPARE PART FOR CORDLESS SHEARING MACHINE "FARMPRO" - DRIVE SHAFT BEARING
<b>13</b>	<b>03.06.3081</b>	SPARE PART FOR CORDLESS SHEARING MACHINE "FARMPRO" - DRIVE SHAFT BEARING GUIDE
<b>14</b>	<b>03.06.3082</b>	SPARE PART FOR CORDLESS SHEARING MACHINE "FARMPRO" - FAN
<b>15</b>	<b>03.06.3083</b>	SPARE PART FOR CORDLESS SHEARING MACHINE "FARMPRO" - BRUSHLESS MOTOR
<b>16</b>	<b>03.06.3084</b>	SPARE PART FOR CORDLESS SHEARING MACHINE "FARMPRO" - P.C.B
<b>17</b>	<b>03.06.3085</b>	SPARE PART FOR CORDLESS SHEARING MACHINE "FARMPRO" - BATTERY CONNECTION
<b>18</b>	<b>03.06.3086</b>	SPARE BATTERY FOR CORDLESS SHEARING MACHINE "FARMPRO" - 16,8 V 2500 mAh
<b>19</b>	<b>03.06.3087</b>	SPARE PART FOR CORDLESS SHEARING MACHINE "FARMPRO" - AIR FILTER
<b>20</b>	<b>03.06.3088</b>	SPARE PART FOR CORDLESS SHEARING MACHINE "FARMPRO" - LEFT HOUSING HANDLE
<b>21</b>	<b>03.06.3089</b>	SPARE PART FOR CORDLESS SHEARING MACHINE "FARMPRO" - RIGHT HOUSING HANDLE
<b>22</b>	<b>03.06.3090</b>	SPARE PART FOR CORDLESS SHEARING MACHINE "FARMPRO" - SWITCH
<b>23</b>	<b>03.06.3091</b>	SPARE PART FOR CORDLESS SHEARING MACHINE "FARMPRO" - SWITCH COVER
-	<b>03.06.3093</b>	SPARE PART FOR CORDLESS SHEARING MACHINE "FARMPRO" - SCREWDRIVER
-	<b>03.06.3094</b>	SPARE PART FOR CORDLESS SHEARING MACHINE "FARMPRO" - BATTERY CHARGER



**ELECTRIC CLIPPER "FARM PRO SHEEP"**

**03.06.3051**

ELECTRIC CLIPPER FOR SHEEP BRUSHLESS  
WITH LI-ION BATTERY (2500 mAh - 60 min)



## AVAILABLE EXCHANGES

1	<b>03.06.3060</b>	SPARE PART FOR CORDLESS SHEARING MACHINE "FARMPRO" - 13 TEETH COMB ("SHEEP" P.1)
2	<b>03.06.3061</b>	SPARE PART FOR CORDLESS SHEARING MACHINE "FARMPRO" - COMB SCREWS ("SHEEP" P.2/3)
3		
4		
5	<b>03.06.3062</b>	SPARE PART FOR CORDLESS SHEARING MACHINE "FARMPRO" - COMB THREADED INSERTS ("SHEEP" P.4/5)
6	<b>03.06.3063</b>	SPARE PART FOR CORDLESS SHEARING MACHINE "FARMPRO" - 4 TEETH BLADE ("SHEEP" P.6)
7	<b>03.06.3064</b>	SPARE PART FOR CORDLESS SHEARING MACHINE "FARMPRO" - LEFT FORK ("SHEEP" P.7)
8	<b>03.06.3065</b>	SPARE PART FOR CORDLESS SHEARING MACHINE "FARMPRO" - RIGHT FORK ("SHEEP" P.8)
9	<b>03.06.3066</b>	SPARE PART FOR CORDLESS SHEARING MACHINE "FARMPRO" - FORK HOLDER ("SHEEP" P.9)
10	<b>03.06.3067</b>	SPARE PART FOR CORDLESS SHEARING MACHINE "FARMPRO" - FORK OSCILLATOR ("SHEEP" P.10)
11	<b>03.06.3068</b>	SPARE PART FOR CORDLESS SHEARING MACHINE "FARMPRO" - PRESSURE BUSH ("SHEEP" P.11)
12	<b>03.06.3069</b>	SPARE PART FOR CORDLESS SHEARING MACHINE "FARMPRO" - THREADED COUPLER ("SHEEP" P.12)
13	<b>03.06.3070</b>	SPARE PART FOR CORDLESS SHEARING MACHINE "FARMPRO" - TENSION NUT ("SHEEP" P.13)
14	<b>03.06.3071</b>	SPARE PART FOR CORDLESS SHEARING MACHINE "FARMPRO" - ECCENTRIC BALL ("SHEEP" P.14)
15	<b>03.06.3072</b>	SPARE PART FOR CORDLESS SHEARING MACHINE "FARMPRO" - ECCENTRIC INSERT ("SHEEP" P.15)
16	<b>03.06.3077</b>	SPARE PART FOR CORDLESS SHEARING MACHINE "FARMPRO" - HEAD BEARING ("SHEEP" P.16+17 - "CATTLE" P. 8)
17		
18	<b>03.06.3074</b>	SPARE PART FOR CORDLESS SHEARING MACHINE "FARMPRO" - HEAD COVER ("SHEEP" P.18)
19	<b>03.06.3075</b>	SPARE PART FOR CORDLESS SHEARING MACHINE "FARMPRO" - CENTRAL FIXING SCREW ("SHEEP" P.19)
20	<b>03.06.3076</b>	SPARE PART FOR CORDLESS SHEARING MACHINE "FARMPRO" - LOCKING NUT ("SHEEP" P.20)
21	<b>03.06.3073</b>	SPARE PART FOR CORDLESS SHEARING MACHINE "FARMPRO" - HEAD CASTING ("SHEEP" P.21)
22	<b>03.06.3078</b>	SPARE PART FOR CORDLESS SHEARING MACHINE "FARMPRO" - GEAR AND SHAFT ASSEMBLY
23	<b>03.06.3079</b>	SPARE PART FOR CORDLESS SHEARING MACHINE "FARMPRO" - RING GEAR ("SHEEP" P.23 - "CATTLE" P.11)
24	<b>03.06.3080</b>	SPARE PART FOR CORDLESS SHEARING MACHINE "FARMPRO" - DRIVE SHAFT BEARING ("SHEEP" P.24 - "CATTLE" P.12)
25	<b>03.06.3081</b>	SPARE PART FOR CORDLESS SHEARING MACHINE "FARMPRO" - DRIVE SHAFT BEARING GUIDE
26	<b>03.06.3082</b>	SPARE PART FOR CORDLESS SHEARING MACHINE "FARMPRO" - FAN ("SHEEP" P.26 - "CATTLE" P.14)
27	<b>03.06.3083</b>	SPARE PART FOR CORDLESS SHEARING MACHINE "FARMPRO" - BRUSHLESS MOTOR ("SHEEP" P.27 - "CATTLE" P.15)
28	<b>03.06.3084</b>	SPARE PART FOR CORDLESS SHEARING MACHINE "FARMPRO" - P.C.B ("SHEEP" P.28 - "CATTLE" P.16)
29	<b>03.06.3085</b>	SPARE PART FOR CORDLESS SHEARING MACHINE "FARMPRO" - BATTERY CONNECTION ("SHEEP" P.29 - "CATTLE" P.17)
30	<b>03.06.3086</b>	SPARE PART FOR CORDLESS SHEARING MACHINE "FARMPRO" - 16,8 V 2500 mAh BATTERY ("SHEEP" P.30 - "CATTLE" P.18)
31	<b>03.06.3087</b>	SPARE PART FOR CORDLESS SHEARING MACHINE "FARMPRO" - AIR FILTER ("SHEEP" P.31 - "CATTLE" P.19)
32	<b>03.06.3088</b>	SPARE PART FOR CORDLESS SHEARING MACHINE "FARMPRO" - LEFT HOUSING HANDLE ("SHEEP" P.32 - "CATTLE" P.20)
33	<b>03.06.3089</b>	SPARE PART FOR CORDLESS SHEARING MACHINE "FARMPRO" - RIGHT HOUSING HANDLE ("SHEEP" P.33 - "CATTLE" P.21)
34	<b>03.06.3090</b>	SPARE PART FOR CORDLESS SHEARING MACHINE "FARMPRO" - SWITCH ("SHEEP" P.34 - "CATTLE" P.22)
35	<b>03.06.3091</b>	SPARE PART FOR CORDLESS SHEARING MACHINE "FARMPRO" - SWITCH COVER ("SHEEP" P.35 - "CATTLE" P.23)
-	<b>03.06.3093</b>	SPARE PART FOR CORDLESS SHEARING MACHINE "FARMPRO" - SCREWDRIVER ("SHEEP" - "CATTLE")
-	<b>03.06.3094</b>	SPARE PART FOR CORDLESS SHEARING MACHINE "FARMPRO" - BATTERY CHARGER ("SHEEP" - "CATTLE")



**ANTI-TILT LOCKING SYSTEM IN PLASTIC FOR CALF BUCKET "GERMAN MODEL" WITHOUT HANGING BRACKET (3 PCS)**

**04.02.0008**

COMPATIBLE WITH 04.02.0009-10-11



**HANGING BRACKET WITH ANTI-TILT LOCKING SYSTEM IN PLASTIC FOR CALF BUCKET "GERMAN MODEL" (3 PCS)**

**04.02.0012**



**METAL HANGING BRACKET FOR CALF BUCKET "GERMAN MODEL" WITH SUPPORT BARS**

**04.02.0009**



**METAL HANGING BRACKET FOR CALF BUCKET "GERMAN MODEL"**

**04.02.0010**

WITH REAR VALVE



**FEEDING CALF BOTTLE 4 L WITH DOUBLE HANDLES WITH "TRUSTI TUBER" DRENCHING TUBE**

**04.02.0383**



**SPARE LONG TUBE WITH METAL PROBE FOR 4L BOTTLE WITH DOUBLE HANDLES (TOT. 85 CM)**

**04.02.0395**

TOTAL LENGTH 85 CM



**RED RUBBER CALF TEAT WITH ROUND HOLE - 10 CM**

**04.02.0108**

FOR AUTOMATIC FEEDING SYSTEM



**ELECTRIC MILK HEATER "LISTER E3000T" IN POLISHED SS  
WITH ADJUSTABLE THERMOSTAT 3000 W - 230 V (86 X Ø  
14,5 CM - 4,9 KG) IPX7 - WITH THERMAL FUSE**

CODE	POWER	CM	Ø	KG
04.02.0770	3000 W - 230 V	14,5 CM	Ø 86	4,9 KG



**ELECTRIC MILK HEATER "EIDER" IN POLISHED SS WITH ADJUSTABLE  
THERMOSTAT 2300 W - 230 V (86 X Ø 16 CM - 4,7 KG) IPX7**

CODE	POWER	CM	Ø	KG
04.02.0790	2300 W - 230 V	16 CM	Ø 86	4,7 KG



**SCREW/UNSCREW MANDREL FOR ELECTRIC INSULATORS WITH SCREW**  
**08.04.0008**



## **OUR CONTACTS**

**[elisa@iaber.it](mailto:elisa@iaber.it)**

**[alessia@iaber.it](mailto:alessia@iaber.it)**



**VISIT OUR WEBSITE**

ialc

INNOVATION



Distributed by:  
IABER SRL  
Via Snos, n. 1  
12038 SAVIGLIANO (CN)  
Tel. +39 0172 725727  
info@iaber.it

[www.cryofarm.com](http://www.cryofarm.com)  
[www.iaber.it](http://www.iaber.it)